

CONFEDERATED TRIBES OF THE CHEHALIS RESERVATION



Invitation to Bid COMMUNITY CENTER BASEBALL FACILITY

**PO Box 536
6 Niederman Road
Oakville, Washington 98568
PH: 360-709-1813
aloudermilk@chehalis tribe.org**

August 5, 2022

INVITATION TO BID

The Confederated Tribes of the Chehalis Reservation Community Center Baseball Batting Facility Project

Sealed bids for the new Baseball Batting Facility on the Chehalis Reservation will be received at The Confederated Tribes of the Chehalis Reservation's Planning Department, 6 Niederman Rd Oakville, WA 98568 until **2pm August 25, 2022**, at which time the bids will be evaluated based on specific criteria provided in the Invitation to Bid. There will be no public bid opening for this project.

The project includes the furnishing of all labor, materials and equipment necessary to construct the Baseball Batting Facility according to the drawings and specifications.

Each proposal must be submitted on the prescribed forms. All bidders will be required to submit a 5% bid bond as part of the proposal submission. Winning bidder will be required to furnish a performance and payment bond, each in the full amount of the contract price.

Bidders may download digital documents at no cost at <http://www.chehalis-tribe.org/departments/planning-department/view-our-current-projects/>.

Any questions regarding this plan room shall be directed to aloudermilk@chehalis-tribe.org. Partial sets of Bidding Documents will not be available from the Issuing Office. Neither the Tribe nor the Engineer will be responsible for full or partial sets of Bidding Documents, including Addenda if any, obtained from sources other than the Issuing Office.

A Pre-Bid meeting will not be held.

Any questions about the Bid Documents, Invitation to Bid, the Plan Set and Specifications should be directed to Jim Gibson PE at JE Gibson Engineering and Consulting Inc. Email at JEGibsonConsulting@gmail.com

The Confederated Tribes of the Chehalis Reservation shall have the right to reject any or all bids not accompanied by bid security or data required by the bidding documents or a bid in any way incomplete or irregular.

Amy Loudermilk
Planning Director
Planning Department
420 Howanut Rd.
Oakville, WA 98568
aloudermilk@chehalis-tribe.org

GENERAL DESCRIPTION OF THE PROJECT

The project consists of the construction of a 60'x120' (7,200 SF) batting facility, associated parking areas, sewer step system and associated utilities to support the use. The subgrade earthwork and grading shown on the plans will be completed prior to the bid and should not be included. The full scope is indicated on the accompanying drawings and specified in applicable parts of these Contract Documents.

The work contemplated under this Contract includes all labor, tools, machinery, materials, transportation, equipment and services necessary for, and reasonably incidental to, the completion of all work in connection with the project described in the Contract Documents.

CONTRACT DOCUMENTS

The Contract Documents under which it is proposed to execute this work consist of all material bound herewith, other documents included by reference, plus any addenda incorporated into the documents. The Contract Documents generally consist of; but are not limited to, the contract plans (bound herein) and all other documents bound herein.

The Contract Documents are intended to be mutually cooperative and to provide all details reasonably required for the execution of the proposed work. Any Bidder contemplating the submission of a proposal shall have thoroughly examined all of the various parts of these documents, and should there be any doubt as to the meaning or intent of said Contract Documents, the Bidder should request of the engineer, in writing, at least six (5) working days prior to bid opening an interpretation thereof. Any interpretation or change in said Contract Documents will be made only in writing, in the form of addenda to the documents and will be furnished to all Bidders receiving a set of the documents, who shall indicate receipt of same in the space provided on the proposal form. The Tribe will not be responsible for any other explanation or interpretation of said documents.

By submitting a bid the Bidder attests they have carefully reviewed the Contract Documents, visited and examined the Project site, become familiar with the local conditions in which the Work is to be performed, and satisfied itself as to the nature, location, character, quality and quantity of the Work, the labor, materials, equipment, goods, supplies, work, services and other items to be furnished and all other requirements of the Contract Documents, as well as the surface and subsurface conditions and other matters that may be encountered at the Project sites or affect performance of the Work or the cost or difficulty thereof.

GENERAL INSURANCE REQUIREMENT

Prior to commencement of the work, Contractor shall obtain all the insurance required by the Contract Documents and provide evidence satisfactory to the Tribe that such insurance has been procured. Review of the Contractor's insurance by the Tribe shall not relieve or decrease the liability of Contractor. The Contractor's maintenance of insurance, its scope of coverage and limits as required herein shall not be construed to limit the liability of the Contractor to the coverage provided by such insurance, or otherwise limit the Tribe's recourse to any remedy available at law or in equity. Insurance policies, deductibles, self-insured retentions, and insurance carriers will be subject to review and approval by the Tribe. All insurance shall be carried with companies that are financially responsible. All carriers of insurance or reinsurers must have and maintain a rating

of "A VII" or better as identified in the *A.M. Best Insurance Rating Guide*, most recent edition. Insurance carriers or reinsurers who do not have a rating of "A VII" or better may not be used without written approval of the Tribe. The A.M. Best rating shall be indicated on the insurance certificates.

Contractor shall maintain the following insurance coverage during the project and for one year after Final Acceptance of the Work.

Commercial General Liability Each Occurrence \$1,000,000

General Aggregate \$2,000,000

Products/Completed Operations Aggregate \$2,000,000

Personal Injury \$1,000,000

Damages to Rented Premises \$50,000

Automobile Liability Including \$1,000,000

Any Auto

Hired & Non-Owned Autos

Workers' Compensation:

Statutory Worker's Compensation insurance as prescribed by applicable law as evidenced by a Certificate of Insurance from State of Washington Department of Labor and Industries during the period of this contract.

WA Stop Gap (Employers Liability)

Per Accident \$1,000,000

Disease \$1,000,000

Each Employee \$1,000,000

All insurance coverages shall name the Chehalis Tribe and JE Gibson Engineering and Consulting Inc as an additional insureds with respect to liability arising out of work performed by Contractor, and an additional insured endorsement(s) to the policy must be provided to the Tribe.

The Contractor shall include all subcontractors at any tier as insureds, and ensure that the Contractor's coverage of subcontractors under the Contractor's policies is not excluded by any policy provision or endorsement. Alternatively, the Contractor shall:

1. Obtain from each subcontractor not insured under the Contractor's policy or policies of insurance, evidence of insurance meeting all the requirements of the Contract Documents, and
2. Maintain such evidence on file for a period of one year after the Final Completion date and, upon request, submit such evidence to the Tribe for examination.

Contractor shall insure for fire and other perils any buildings such as, but not limited to, sheds, shops and offices the Contractor brings onto the Project site for Contractor's use. In addition,

Contractor shall insure Contractor's owned equipment, tools, and materials brought onto the Project site. The Contractor shall assume full responsibility for all loss or damage from any cause whatsoever to any tool, Contractor's employee owned tools, machinery, equipment, or motor vehicles owned or rented by the Contractor, or the Contractor's agents, suppliers, contractors or subcontractors as well as to any temporary structures, scaffolding and protective fences.

BID BOND OR BID DEPOSIT

A Bid Deposit of at least 5% of the Total Bid Amount shown above for all items and schedules is required. This deposit may be made in form of certified check, cashier's check, or Bid Bond (Surety bond).

If a Bid Bond is used, the Bidder shall furnish the bond on a form acceptable to the Tribe, and it shall be signed by both the Bidder and the Surety. The Surety shall be acceptable to the Chehalis Tribe. The Bidder shall bear all costs associated with preparing and furnishing the bond. Bid Bonds shall not be conditioned in any way to modify the minimum 5-percent required.

The Tribe may declare any Bidder failing to furnish the required Bid Deposit as nonresponsive, and be cause for rejection of the Proposal offered.

Under no circumstance will a waiver of sovereign immunity be granted with this project.

PAYMENT AND PERFORMANCE BONDS

The Contractor shall furnish a separate Payment Bond and Performance Bond, each for 100% of the Total Contract Cost using the Payment Bond and Performance Bond forms provided by the Tribe. The Payment Bond and Performance Bond shall be valid for the warranty period, and through any other warranty or guaranty period described in the Contract Documents. The Payment Bond and Performance Bond shall provide that the amount of the bonds shall automatically increase the obligation of the bonding company in the amount of any change order to the Contract and notice to the bonding company of such changes for increased obligations shall not be required.

CONSTRUCTION PROGRESS SCHEDULE

The Construction Progress Schedule shall show the sequence in which Contractor proposes to perform the Work, and the dates on which Contractor plans to start and finish major portions of the Work, including dates for shop drawings and other submittals, and for acquiring materials and equipment. Unless otherwise provided in the Contract Documents, the Construction Progress Schedule shall be in the form of a bar chart or a critical path method analysis.

Review by the Tribe of Contractor's schedule does not constitute an approval or acceptance of Contractor's construction means, methods, or sequencing, or its ability to complete the Work within the Contract Time. Contractor shall revise and resubmit its schedule, as necessary. Tribe may withhold a portion of progress payments until a Construction Progress Schedule has been submitted which meets the requirements of this section. Contractor shall adhere to the Construction Progress Schedule as it may be adjusted from time to time as provided below.

1. Contractor shall submit to Tribe for acceptance proposed adjustments in

the Construction Progress Schedule that will not result in changing the Contract Time. Such adjustments will comply with any provisions of the Contract Documents applicable thereto.

2. Proposed adjustments in the Construction Progress Schedule that will change the Contract Time shall be submitted in accordance with the requirements of the Contract Documents. Adjustments in Contract Time may only be made by a Change Order.
3. Contractor shall make all reasonable efforts to mitigate any damages resulting from delays in labor, materials, supplies, or permitting.

Contractor shall utilize and comply with the Construction Progress Schedule. On a monthly basis, or as otherwise directed by Tribe, Contractor shall submit an updated Construction Progress Schedule at its own expense to Tribe indicating actual progress. If, in the opinion of Tribe, Contractor is not in conformance with the Construction Progress Schedule for reasons other than acts of Force Majeure, Contractor shall take such steps as are necessary to bring the actual completion dates of its work activities into conformance with the Construction Progress Schedule, and if directed by Tribe, Contractor shall submit a corrective action plan or revise the Construction Progress Schedule to reconcile with the actual progress of the Work.

LOOK-AHEAD SCHEDULES

Every calendar week until Total Completion of the Work the Contractor will provide a detailed three-week look-ahead schedule showing all aspects of Work, including the status of Submittals, based on the Construction Progress Schedule. This three week look-ahead schedule will show the Contractor's planned construction activities for the next-occurring three week period, including: (a) critical path activities; (b) equipment deliveries; (c) estimated quantities of materials to be placed or installed; (d) any anticipated delays to the performance of the Work; and (e) safety activities, such as critical lifts, hazardous materials testing. This three-week look-ahead schedule will also show the Contractor's actual progress of the Work for the preceding week.

SAFETY PLAN

In addition to the other requirements of the Contract Documents, in order to receive a Notice to Proceed, the Contractor must submit the following to Tribe:

1. A copy of its company Safety Program. The Safety Program shall contain, at a minimum, the following:
 - a. Organization, including names of individuals who will perform safety duties, titles, work assignments, authority and reporting relationships.
 - b. Training Program. Who, how and when training is provided; method of employee training concerning safety rules and procedures; training in use of protective equipment.
 - c. Protective Equipment. List of personal protective equipment to be provided to employees.
 - d. Accident Prevention and Loss Control Plan. Work site inspection and hazard correction procedures; disciplinary procedures for safety infractions; accident response, investigation and reporting procedures.

- e. Regular Safety Meetings. On-site weekly or other frequency as appropriate, safety meetings mandatory for all employees.
2. An appropriate site-specific safety plan. The plan must be tailored to the needs of the particular project and to the types of hazards involved, and be in compliance with the Chehalis Tribe's Construction Safety Ordinance 11.10.

PROJECT RECORD

Contractor shall legibly mark in ink on a separate set of the Drawings and Specifications all actual construction, including depths of foundations, horizontal and vertical locations of internal and underground utilities and appurtenances referenced to permanent visible and accessible surface improvements, field changes of dimensions and details, actual suppliers, manufacturers and trade names, models of installed equipment, and Change Order Proposals (COP). This separate set of Drawings and Specifications shall be the "Project Record."

The Project Record shall be maintained on the project site throughout the construction and shall be clearly labeled "PROJECT RECORD." The Project Record shall be updated at least weekly noting all changes and shall be available to the Tribe at all times. Maintenance of the Project Record, satisfactory to Tribe, will be a requirement for approval of progress payments.

Contractor shall submit the completed and finalized Project Record to Engineer prior to Final Acceptance.

SHOP DRAWINGS

"Shop Drawings" means documents and other information required to be submitted to Engineer by Contractor pursuant to the Contract Documents, showing in detail: the proposed fabrication and assembly of structural elements; and the installation (i.e. form, fit, and attachment details) of materials and equipment. Shop Drawings include, but are not limited to, drawings, diagrams, layouts, schematics, descriptive literature, illustrations, schedules, performance and test data, samples, and similar materials furnished by Contractor to explain in detail specific portions of the Work required by the Contract Documents. For materials and equipment to be incorporated into the Work, Contractor submittal shall include the name of the manufacturer, the model number, and other information concerning the performance, capacity, nature, and rating of the item. When directed, Contractor shall submit all samples at its own expense. Tribe may duplicate, use, and disclose Shop Drawings provided in accordance with the Contract Documents.

Contractor shall coordinate all Shop Drawings, and review them for accuracy, completeness, and compliance with the Contract Documents and shall indicate its approval thereon as evidence of such coordination and review. Where required by law, Shop Drawings shall be stamped by an appropriate professional licensed by the state of Washington. Shop Drawings submitted to Engineer without evidence of Contractor's approval shall be returned for resubmission. Contractor shall review, approve, and submit Shop Drawings with reasonable promptness and in such sequence as to cause no delay in the Work or in the activities of the Tribe or separate contractors. Contractor's submittal schedule shall allow a reasonable time for Engineer review. Engineer will review, approve, or take other appropriate action on the Shop Drawings. Contractor shall perform no portion of the Work requiring submittal and review of Shop Drawings until the respective submittal has been reviewed and the Engineer has approved or taken other appropriate action. The Tribe and Engineer shall respond to Shop Drawing submittals with

reasonable promptness. Any Work by Contractor shall be in accordance with reviewed Shop Drawings. Submittals made by Contractor which are not required by the Contract Documents may be returned without action.

Approval or other appropriate action with regard to Shop Drawings, by the Tribe or Engineer shall not relieve Contractor of responsibility for any errors or omissions in such Shop Drawings, nor from responsibility for compliance with the requirements of the Contract Documents. Unless specified in the Contract Documents, review by the Tribe or Engineer shall not constitute an approval of the safety precautions employed by Contractor during construction, or constitute an approval of Contractor's means or methods of construction. If Contractor fails to obtain approval before installation and the item or work is subsequently rejected, Contractor shall be responsible for all costs of correction.

If Shop Drawings show variations from the requirements of the Contract Documents, Contractor shall describe such variations in writing, separate from the Shop Drawings, at the time it submits the Shop Drawings containing such variations. If Engineer approves any such variation, an appropriate Change Order will be issued. If the variation is minor and does not involve an adjustment in the Total Contract Cost or Contract Time, a Change Order need not be issued; however, the modification shall be recorded upon the Project Record.

CONTRACTOR CONTROL AND SUPERVISION

Contractor shall supervise and direct the Work, using its best skill and attention, and shall perform the Work in a skillful manner. Contractor shall be solely responsible for and have control over construction means, methods, techniques, sequences, and procedures and for coordinating all portions of the Work, unless the Contract Documents give other specific instructions concerning these matters.

Contractor shall disclose its means and methods of construction when requested by the Tribe. If the Contract Documents give specific instructions concerning construction means, methods, techniques, sequences or procedures, the Contractor shall not be relieved of the obligation to evaluate and be fully and solely responsible for the control and supervision of those or any other aspects of the Work, including jobsite safety. If the Contractor determines that such means, methods, techniques, sequences or procedures may not be safe, the Contractor shall promptly give written notice of that determination, together with an explanation of the reasons Contractor believes the same to be unsafe, to the Tribe and Engineer and shall not proceed with that portion of the Work without further written instructions. If in the judgment of the Contractor the specified construction means, methods, techniques, sequences or procedures deviate from prudent construction practice such that there will be an effect on any warranties then the Contractor shall propose alternatives for which no increase in the Total Contract Cost or Contract Time will be made.

Performance of the Work shall be directly supervised by a competent superintendent who has authority to act for Contractor. The superintendent must be satisfactory to the Tribe and shall not be changed without the prior written consent of the Tribe. The Tribe may require Contractor to remove the superintendent from the Work or Project site, if the Tribe reasonably deems the superintendent incompetent, careless, or otherwise objectionable, provided the Tribe has first notified Contractor in writing and allowed a reasonable period for transition.

Contractor shall be responsible to the Tribe for acts and omissions of Contractor, Subcontractors, and their employees and agents.

Contractor shall enforce strict discipline and good order among all of the Contractor's employees and other persons performing the Work. Contractor shall not permit employment of persons not skilled in tasks assigned to them. Contractor's employees shall at all times conduct business in a manner that assures fair, equal, and nondiscriminatory treatment of all persons. The Tribe may, by written notice, request Contractor to remove from the Work or Project site any employee the Tribe reasonably deems incompetent, careless, or otherwise objectionable.

Contractor shall keep on the Project site a copy of the Drawings, addenda, reviewed Shop Drawings, and permits and permit drawings.

Neither the Contractor, its subcontractors or material person shall extend any loan, gratuity, or gift of money in any form whatsoever to any employee or officer of the Tribe, including any consultants of the Tribe, nor shall the Contractor, its subcontractors or material person rent or purchase any equipment or materials from any employee or officer of the Tribe, or any consultant of the Tribe.

PROTECTION OF EXISTING STRUCTURES, EQUIPMENT, VEGETATION, UTILITIES AND IMPROVEMENTS

Contractor shall protect from damage all existing structures, equipment, improvements, utilities, and vegetation: at or near the Project site; and on adjacent property of a third party, the locations of which are made known to or should be known by Contractor. Contractor shall repair any damage, including that to the property of a third party, resulting from failure to comply with the requirements of the Contract Documents or failure to exercise reasonable care in performing the Work. If Contractor fails or refuses to repair the damage promptly, the Tribe may have the necessary work performed and charge the cost to Contractor.

Contractor shall only remove trees when specifically authorized to do so, and shall protect vegetation that will remain in place.

WARRANTY OF CONSTRUCTION

If, within one year after the date of Substantial Completion of the Work or designated portion thereof, or within one year after the date for commencement of any system warranties, or within the terms of any applicable special warranty required by the Contract Documents, any of the Work is found to be not in accordance with the requirements of the Contract Documents, Contractor shall correct it promptly after receipt of written notice from the Tribe to do so. The Tribe shall give such notice promptly after discovery of the condition. This period of one year shall be extended, with respect to portions of Work first performed after Substantial Completion, by the period of time between Substantial Completion and the actual performance of the Work. Contractor's duty to correct with respect to Work repaired or replaced shall run for one year from the date of repair or replacement. Obligations under this paragraph shall survive Final Acceptance.

In addition to any special warranties provided elsewhere in the Contract Documents, Contractor warrants that all Work conforms to the requirements of the Contract Documents and is free of any defect in equipment, material, or design furnished, or workmanship performed by Contractor. Unless a longer term is specified by law or in separate warranties, Contractor's warranty repair obligation shall extend for a period of one year following Substantial Completion.

With respect to all warranties, express or implied, for Work performed or materials furnished according to the Contract Documents, Contractor shall:

1. Obtain all warranties that would be given in normal commercial practice;
2. Require all warranties to be executed, in writing, for the benefit of the Tribe;
3. Enforce all warranties for the benefit of the Tribe, if directed by the Tribe; and
4. Be responsible to enforce any subcontractor's, manufacturers, or supplier's warranties should they extend beyond the period specified in the Contract Documents.

PREPARATION OF PROPOSAL FORM:

All blank spaces in the Proposal Form must be filled in, in ink or typewritten. No changes shall be made in the phraseology of the forms. In case of a discrepancy between the unit prices and the extended totals, unit prices will prevail.

Any bid shall be deemed informal which contains omissions, erasures, alterations, or additions of any kind, or items uncalled for, in which any of the items are obviously unbalanced, or which in any manner shall fail to conform to the conditions or intent of the Contract Documents. The Bidder shall list proposed subcontractors, as required, within the space prescribed in the Proposal Form. The Tribe reserves the right to refuse work to those subcontractors that the Tribe deems unqualified for this project.

The Bidder shall sign the Proposal Form in the space provided therefore. If the Bidder is a Corporation, the legal name of the Corporation shall be set forth in the space provided, together with the signature of the officer or officers authorized to sign contracts on behalf of the Corporation. If Bidder is a Co-partnership, the true name of the firm shall be set forth in the space provided, together with the signature of the partner or partners authorized to sign contracts in behalf of the Co-partnership. If signature is by an Agent, other than an officer of a Corporation or a member of a Partnership, a Power-of-Attorney must be on file with the Tribe prior to opening of proposals or submitted with the bid, otherwise the bid will be regarded as not properly authorized.

All bid forms must be fully completed to be scored and ranked by the selection committee.

SUBMISSION OF PROPOSAL

Each proposal must be submitted at the time and place prescribed in the Advertisement for Bids.

Proposals must be on the Proposal Forms contained herein. Each proposal must be submitted in a sealed envelope plainly marked on the outside as Bid Proposal for: Baseball Batting Facility and the envelope should bear on the outside the Bidder's name and address.

If forwarded by mail, the sealed envelope containing the bid must be enclosed in another envelope addressed to Confederated Tribes of the Chehalis Reservation, Baseball Batting

Facility Project, 420 Howanut Road, Oakville, WA. 98568. It is the Bidder's sole responsibility to ensure that its Proposal is delivered to the location at the appointed place and time.

MODIFICATION OR WITHDRAWAL OF PROPOSAL

Any bidder may modify his/her bid by written, signed communication at any time prior to the scheduled closing time for receipt of bids, provided such communication is received by the Confederated Tribes of the Chehalis Reservation prior to the closing time by mail, recognized carrier, or hand delivery. The written communication should be in a sealed envelope and marked as "Baseball Batting Facility", not reveal the bid price but should state the addition or subtraction or other modification so that the final prices or terms will not be known by the Tribe until the sealed bid is opened. Any bid may be withdrawn prior to the scheduled time for the opening of bids in the same manner.

No bid may be withdrawn after the time scheduled for opening of bids, unless the time specified in the paragraph, "Award of Contract" of this "Instructions to Bidders" shall have elapsed.

OPENING OF BIDS

After the designated date and time for bid submission all proposals will be opened and evaluated by a selection committee based on the specific selection criteria provided in these documents.

Any bids received after the scheduled closing time for receipt of the bids will be returned to the Bidder unopened. There will be no public bid opening for this project.

QUALIFICATIONS OF BIDDERS

The Tribe may take such investigations it deems necessary to determine the ability of the Bidder to perform the work, and the Bidder shall furnish to the Tribe all such information and data for this purpose as the Tribe may request. The Tribe reserves the right to reject any bid if the evidence submitted by, or investigation of, such Bidder fails to satisfy the Tribe that such

Bidder is properly qualified to carry out the obligations of the Contract and to complete that work contemplated therein. Conditional bids will not be accepted.

BIDDER'S UNDERSTANDING

Each Bidder must inform itself of the conditions relating to the execution of the work, and it is assumed that the Bidder will inspect the site and make itself thoroughly familiar with all the Contract Documents. Failure to do so will not relieve the successful Bidder of its obligation to enter into a contract and complete the contemplated work in strict accordance with the Contract Documents. The Bidder's attention is called to the Special Provisions section of the Contract Documents in regards to Bidder's obligation to verify all information concerning site and subsurface conditions.

Each Bidder shall inform itself of, and the Bidder awarded a Contract shall comply with: federal, State and Tribal laws, statutes and ordinances relative to the execution of the work. This requirement includes, but is not limited to, applicable regulations concerning employment of labor, protection of public and employee safety and health, environmental protection, the protection of natural resources, fire protection, burning and non-burning requirements, permits, fees, and similar subject.

The Bidder understands that the awarded Contract will not include a waiver, including limited waiver, of the sovereign immunity of the Chehalis Tribe.

UNIT PRICE BID ITEMS

When the bid for the work is to be submitted on a unit price basis, unit price bids will be accepted on all items of work set forth in the Proposal Form, except those designated to be paid for as "Lump Sum."

The estimate of quantities of work to be done is tabulated in the Proposal Form and, although stated with as much accuracy as possible, is approximate only and is assumed solely for the basis of calculation upon which the award of contract shall be made. Payment to the Contractor will be made on the measurement of the work actually performed by the Contractor as specified in the Contract Documents. The Tribe reserves the right to increase or diminish the amount of any class of work as may be deemed necessary, unless otherwise specified in the "Special Provisions".

LUMP SUM BID ITEMS

When the bid for the work is to be submitted on a lump sum basis, a single lump sum price will be accepted on all items of work set forth in the Proposal Form. The total amount to be paid the Contractor shall be the amount of the lump sum bid as adjusted for additions or deletions resulting from change orders.

SELECTED BIDDER

The selected Bidder will be determined by the highest ranking proposal based on scoring of the proposal on the specific criteria provided in these Documents. The Tribe reserves the right to accept or reject any or all bids.

BASIS OF AWARD

Award will be made to the Bidder with the highest-ranking Proposal. The total bid price used in bid evaluations will be based on the Base Bid Price plus any combination of additive alternatives that the Tribe selects. The Tribe reserves the right to accept or reject any or all Bids and select any additive alternates in the bid.

AWARD OF CONTRACT

Within thirty (30) calendar days after the opening of bids, the Tribe shall either accept one bid or reject any or all bids. The Tribe reserves the right to waive any informalities and irregularities in said bids. The award will be made by the Tribe on the basis of that bid from the lowest responsive, responsible, qualified Bidder that, in the Tribe's sole and absolute judgment, will best serve the interest of the Tribe. When projects are paid for in part by federal aid, the award will be made on the basis of that bid submitted by the responsible Bidder submitting the lowest proposal acceptable to the financing agency.

The acceptance of the bid will be written notice, mailed, digitally mailed, or delivered to the office designated in the Proposal Form. In the event of failure of the highest scored responsible

Bidder to sign and return the Agreement with acceptable "Payment Bond", "Performance Bond", and Insurance Certificate as prescribed herein, the Tribe may award the Contract to the next highest scored responsible Bidder. Such award, if made, will be within sixty (60) calendar days after the opening of bids.

EXECUTION OF AGREEMENT

The successful Bidder shall, within ten (10) calendar days after receiving Notice of Award, sign and deliver to the Tribe the Agreement hereto attached together with the acceptable bonds and certificate of insurance as required by these documents. Within ten (10) calendar days after receiving the signed Agreement with acceptable bonds from the successful Bidder, the Tribe's authorized agent will sign the Agreement. Signature by both parties constitutes execution of the Agreement.

BIDDER'S CHECKLIST

The bidder's attention is called to the following forms, which must be executed in full as required and submitted (as a sealed bid) at the time of bid opening.

Proposals must consist of the following information in the order indicated below:

1. Form A – Bid Proposal.
2. Construction Project Schedule.
3. Form B – Subcontractors list
3. Form C – Bidders Construction Experience Form
4. Bonding (5%).
5. Proof of enrollment in a federally recognized Indian Tribe, if applicable.
6. Form D – Signature Page

FAILURE TO COMPLETE AND SUBMIT THE ABOVE ITEMS MAY BE CAUSE FOR THE TRIBE TO CONSIDER THE BID IRREGULAR AND BE REJECTED.

The following forms are to be executed after the Award:

1. Contract: To be executed by the successful bidder and the Tribe.
2. Contract Bond (Performance and Payment Bond).
3. Insurance Certificates.

PROPOSAL REQUIREMENTS

Proposals must consist of the following information in the order indicated below:

1. Form A – Bid Proposal
2. Construction Project Schedule - The project schedule will be evaluated to assess the Bidder's ability to complete the project in a timely manner. Project schedules must also demonstrate that the Bidder understands the work involved, has coordinated with any subcontractors, and has accounted for material availability. Must show coordination of items with long lead deliveries to complete project in the most time effective manner.
3. Form B – Subcontractors list
4. Form C – Bidders Construction Experience Form
5. Bonding - A Bid Deposit of at least 5% of the Total Bid Amount shown above for all items and schedules is required.
6. Preference will be given to qualified applicants who are a Native-owned business. To be considered for Indian preference, you must submit proof that majority ownership of the company is an enrolled member of a federally recognized Indian Tribe.
7. Form D – Signature Sheet

FORM B: SUBCONTRACTOR LIST

All bidders shall submit the following information for all firms that bid or quote on subcontracts (including both DBE and non-DBE firms) as part of the bid. A subcontractor includes a trade contractor or specialty contractor and does not include suppliers who provide only materials, equipment, or supplies to a contractor or subcontractor.

Subcontractor Name	Address	Phone/email	Work to be performed

Please note: All subcontractors will be required to obtain a Tribal Business License prior to conducting any work on the Chehalis Reservation. An application and fee are required to apply for the license. Current license fees are \$50 for non-Native owned businesses and \$20 for Native owned businesses.

FORM C: BIDDERS CONSTRUCTION EXPERIENCE FORM

NOTE: All questions must be answered and the data given must be clear and comprehensive. If necessary, include separate sheets.

1. How many years has your organization been in business as a Contractor?

2. How many years has your organization been in business under this present business name?

3. Under what other or former names has your organization operated?

4. If your organization is a corporation, answer the following:
Date of incorporation:
State of incorporation:
Presidents name:

5. If your organization is a partnership, answer the following:
Date of organization:
Type of partnership (if applicable):
Names of general partner:

6. If your organization is individually owned, answer the following:
Date of organization:
Name of owner:

7. Describe the general character of work performed by your company

8. On a separate sheet, list major construction contracts your organization has in progress, giving the name of the project, owner, contract amount, percent complete, and scheduled completion date.

9. Have you ever failed to complete any work awarded to you? If so, why and where?

10. Have you ever defaulted on a Contract? If yes, provide details on separate sheet.

11. List projects of similar scope completed by your company. Include the approximate cost for each, the client, and the month and year completed.

12. List the major equipment available for this contract

13. On a separate sheet, list jobs completed that are of similar type and magnitude to this project, include: project name, description of work performed, completion date, client name, reference phone number, and dollar value.

14. State the average annual amount of construction work performed during the past five years.

15. Will you, upon request, fill out a detailed financial statement and furnish any other information that may be required by the Tribe?

16. List all claims and litigations for similar projects performed during the past 5 years.

Name of Organization: _____
Signature: _____
Printed Name: _____
Title: _____
Date: _____

FORM D - SIGNATURE SHEET

The undersigned hereby certifies that he/she has examined the location of:

******* Baseball Batting Facility Project *******

and has read and thoroughly understands the plans, specifications, and contract governing the work in this improvement. The undersigned is deemed to have acknowledged all requirements and signed all certificates contained herein.

The undersigned proposes to undertake and complete the work in this improvement.

Addenda Acknowledgement:

Receipt is hereby acknowledged of Addendum No (s) _____, _____, _____, _____, _____, _____,

Signature:

Contractor (Firm Name): _____

Address: _____

Phone Number: _____

Contractors WA Registration No.: _____

CCR No.: _____

DUNS No.: _____

**SAMPLE
CONTRACT
FORMS**

Baseball Batting Facility

Scoring Criteria

Reviewer Name _____

Firms Name _____

Scored Criteria	Points Available	Score
Professional Qualifications and Past Performances – Qualifications of the firm and staff to complete the work should include experience related to this project. Proposed superintendent’s tenure with bidder and past experience and successes in completing similar projects. Past performance on similar contracts with Government and/or Tribal agencies, (3) comparable projects including project contact, project description and overall cost.	20	
Comments:		
Project Schedule – Provide a Construction Project Schedule that shows completion of all deliverables that includes coordinated work items and details all areas of the project (The more detail the better).	20	
Comments:		



Baseball Batting
Facility Scoring
Criteria

<p>Indian Preference - Preference will be given to qualified applicants who are a Native-owned business. To be considered for Indian preference, you must submit proof that majority ownership of the company is an enrolled member of a federally recognized Indian Tribe. Documentation must be submitted to receive the five (5) points.</p>	<p>5</p>	
<p>Comments:</p>		
<p>Cost Proposal – Bid amount will be scored based on both the reasonableness of the proposed costs and thoroughness. Score on a sliding scale based on rank of individual bidders and range of variation in bid amount.</p>	<p>55</p>	
<p>Comments:</p>		



NOTICE OF AWARD

To: _____

PROJECT: Baseball Batting Facility

The OWNER has considered the PROPOSAL submitted by you on _____, _____, 2021, for the above described WORK in response to its Request for Bids.

You are hereby notified that your PROPOSAL has been accepted for items in the amount of \$ _____.

You are required by the Instructions To Bidders to execute the Agreement and furnish the required CONTRACTOR'S Performance BOND, Payment BOND and Certificates of Insurance within ten (10) calendar days from the date of this Notice to you.

If you fail to execute said Agreement and to furnish said BONDS and CERTIFICATES within ten (10) calendar days from the date of this Notice, said OWNER will be entitled to consider all your rights arising out of the OWNER'S acceptance of your PROPOSAL as abandoned and as a forfeiture of your BID BOND. The OWNER will be entitled to such other rights as may be granted by law.

You are required to return an acknowledged copy of this NOTICE OF AWARD to the OWNER.

Dated this ____ day of _____, 2021.

Confederated Tribes of the Chehalis Reservation

By _____

Title _____

ACCEPTANCE OF NOTICE

Receipt of the above NOTICE OF AWARD is hereby acknowledged

By _____

this the _____ day of _____, 2021.

By _____

Title _____

CHEHALIS TRIBES BASEBALL BATTING CAGES

461 SECENA RD, OAKVILLE, WA 98568
SECTION 3, TOWNSHIP 15N, RANGE 4W, W.M.
"CALL UNDERGROUND LOCATE AT 811 BEFORE YOU DIG"

PROJECT SPECIFICATIONS:

THE WORK ON THIS PROJECT SHALL BE ACCOMPLISHED IN ACCORDANCE WITH THE FOLLOWING:

- THE MOST CURRENT VERSION OF THE WASHINGTON STATE DEPARTMENT OF TRANSPORTATION STANDARD SPECIFICATIONS FOR ROAD, BRIDGE, AND MUNICIPAL CONSTRUCTION
- THE MOST CURRENT EDITION OF THE MANUAL ON UNIFORM TRAFFIC CONTROL DEVICES FOR STREETS AND HIGHWAYS (MUTCD)
- THE MOST CURRENT EDITION OF THE INTERNATIONAL BUILDING CODE (IBC)
- THE MOST CURRENT EDITION OF THE AUTHORITY HAVING JURISDICTION DEVELOPMENT GUIDELINES AND PUBLIC STANDARDS

THE CONTRACTOR SHALL OBTAIN COPIES OF THESE PUBLICATIONS AT THE CONTRACTOR'S OWN EXPENSE.

THE CONTRACTOR IS RESPONSIBLE FOR PROVIDING ALL LABOR, MATERIALS, TOOLS, EQUIPMENT, TRANSPORTATION, SUPPLIES, AND INCIDENTALS REQUIRED TO COMPLETE ALL WORK SHOWN ON THESE DRAWINGS AND TO OBTAIN ACCEPTANCE BY THE AUTHORITY HAVING JURISDICTION AND THE PROJECT OWNER.

ANY PROPOSED ALTERATIONS BY THE CONTRACTOR AFFECTING THE REQUIREMENTS AND INFORMATION IN THESE DRAWINGS SHALL BE SUBMITTED TO THE ENGINEER OF RECORD IN WRITING FOR APPROVAL.

CONTRACTOR LIABILITY NOTE:

THE CONTRACTOR SHALL ASSUME SOLE AND COMPLETE RESPONSIBILITY FOR JOB SITE CONDITIONS DURING THE COURSE OF CONSTRUCTION OF THIS PROJECT, INCLUDING SAFETY OF ALL PERSONS AND PROPERTY. THIS REQUIREMENT SHALL APPLY CONTINUOUSLY AND NOT BE LIMITED TO NORMAL WORKING HOURS. THE CONTRACTOR SHALL DEFEND, INDEMNIFY, AND HOLD J.E. GIBSON CONSULTING HARMLESS FROM ANY AND ALL LIABILITY, REAL OR ALLEGED, IN CONNECTION WITH THE PERFORMANCE OF WORK ON THIS PROJECT, EXCEPTING FOR LIABILITY ARISING FROM THE SOLE NEGLIGENCE OF J.E. GIBSON CONSULTING.

GRADING NOTE:

ANY CUT AND FILL QUANTITIES, IF SHOWN ON THESE DRAWINGS, ARE ESTIMATED IN-PLACE VOLUMES AND ARE FOR PLANNING PURPOSES ONLY. IT IS THE CONTRACTOR'S RESPONSIBILITY TO VERIFY QUANTITIES AND APPLY SHRINK AND/OR SWELL FACTORS.

TOPOGRAPHIC NOTE:

TOPOGRAPHIC INFORMATION SHOWN ON THESE DRAWINGS WERE PROVIDED BY A THIRD PARTY SURVEYOR. THE CONTRACTOR SHALL VERIFY TOPOGRAPHIC INFORMATION IN THE FIELD PRIOR TO SUBMITTING A BID AND SHALL CONTACT THE ENGINEER OF RECORD IF THERE IS A DISCREPANCY.

EROSION CONTROL NOTE:

EROSION CONTROL MEASURES ARE NOT LIMITED TO THE TO THE ITEMS ON THESE DRAWINGS. THE CONTRACTOR IS RESPONSIBLE FOR THE INSTALLATION AND MAINTENANCE OF ALL EROSION CONTROL MEASURES. NO SILTATION OF EXISTING OR PROPOSED STORMWATER FACILITIES SHALL BE ALLOWED. CARE SHALL BE TAKEN TO PREVENT MIGRATION OF SILTS TO OFF-SITE PROPERTIES. ALL DISTURBED EARTH CAUSED BY CONTRACTOR'S ACTIVITIES SHALL BE RESTORED IN ACCORDANCE WITH THE LANDSCAPING PLANS OR HYDROSEEDING IF NO LANDSCAPING PLANS EXIST.

CALL BEFORE YOU DIG:

THE CONTRACTOR SHALL BE FULLY RESPONSIBLE FOR THE LOCATION AND PROTECTION OF ALL EXISTING UTILITIES. THE CONTRACTOR SHALL VERIFY ALL UTILITY LOCATIONS PRIOR TO CONSTRUCTION BY CALLING THE UNDERGROUND LOCATE LINE 811 OR 1-800-424-5555 A MINIMUM OF 48 HOURS PRIOR TO ANY EXCAVATION.

REMOVAL & REPLACEMENT OF UNSUITABLE MATERIALS:

WHENEVER EXCAVATING ACTIVITIES ON-SITE EXPOSE PEAT, SOFT CLAY, QUICKSAND, OR OTHER UNSUITABLE FOUNDATION MATERIAL, SUCH MATERIAL SHALL BE REMOVED TO THE DEPTH DIRECTED BY THE GEOTECHNICAL ENGINEER AND BACKFILLED WITH SUITABLE FOUNDATION MATERIAL. UNSUITABLE MATERIAL SHALL BE REMOVED FROM THE SITE AND HAULED TO A CONTRACTOR PROVIDED WASTE SITE. THE CONTRACTOR SHALL FURNISH AND PLACE SUITABLE MATERIAL MEETING THE REQUIREMENTS OF THE STANDARD SPECIFICATIONS AND THE IBC.

STORM DRAINAGE NOTE:

TO PROTECT STORMWATER FACILITIES FROM SEDIMENTATION, THE CONTRACTOR SHALL CONNECT THE FACILITY(IES) TO THE STORM CONVEYANCE SYSTEM AFTER SITE WORK, ROADS, UTILITIES, PERMANENT EROSION CONTROL MEASURES, AND FINAL LANDSCAPING ARE IN PLACE.

DEWATERING:

FOUNDATIONS, UTILITY TRENCHES, AND ALL OTHER PARTS OF THE CONSTRUCTION SITE SHALL BE DEWATERED AND KEPT FREE OF STANDING WATER AND SATURATED CONDITIONS AS NECESSARY FOR THE PROPER EXECUTION OF THE WORK. THE CONTRACTOR SHALL FURNISH, INSTALL, OPERATE, AND MAINTAIN ALL DRAINS, SUMPS, PUMPS, AND ALL OTHER EQUIPMENT REQUIRED TO PROPERLY DEWATER THE SITE AS SPECIFIED. DEWATERING SYSTEMS THAT CAUSE A LOSS OF SOIL FINES FROM FOUNDATION AND HARDSCAPE AREAS WILL NOT BE PERMITTED.

UTILITIES LOCATE NOTE:

THE LOCATION OF EXISTING UTILITIES SHOWN HEREON IS BASED ON INFORMATION OBTAINED FROM THE TOPOGRAPHIC SURVEY. J.E. GIBSON CONSULTING ASSUMES NO RESPONSIBILITY AND/OR LIABILITY OF EXISTING UTILITIES SHOWN OR NOT SHOWN HEREON. CONTRACTOR IS ADVISED TO VERIFY THE EXACT SIZE, DIAMETER, DEPTH, AND LOCATION OF EXISTING UTILITIES PRIOR TO STARTING CONSTRUCTION ACTIVITIES. CONTRACTOR SHALL CALL FOR UNDERGROUND LOCATES AT 1-800-424-5555 PRIOR TO STARTING CONSTRUCTION ACTIVITIES.

RECORD DRAWINGS:

J.E. GIBSON CONSULTING IS REQUIRED BY THE THE AUTHORITY HAVING JURISDICTION TO PROVIDE RECORD DRAWINGS PRIOR TO ACCEPTANCE. J.E. GIBSON CONSULTING WILL NOT CERTIFY RECORD DRAWINGS UNLESS A REPRESENTATIVE OF THE COMPANY HAS INSPECTED ACTUAL INSTALLATION OF UTILITIES PRIOR TO BACKFILLING.

THE CONTRACTOR SHALL MAINTAIN ONE SET OF THE APPROVED DRAWINGS THAT SHALL INCLUDE RED LINE MARKUPS (LEGIBLE) OF ANY ALTERATIONS TO THE DESIGN. THE RED LINE MARKINGS SHALL BE SUBMITTED TO THE ENGINEER OF RECORD UPON PROJECT COMPLETION.

WORK IN THE RIGHT-OF-WAY:

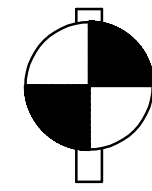
CONTRACTOR SHALL OBTAIN RIGHT-OF-WAY PERMIT AND SHALL SUBMIT A TRAFFIC CONTROL PLAN TO THE AUTHORITY HAVING JURISDICTION PRIOR TO STARTING CONSTRUCTION ACTIVITIES. ALL WORK WITHIN THE RIGHT-OF-WAY SHALL CONFORM TO THE AUTHORITY HAVING JURISDICTION'S STANDARDS.

PROJECT INFORMATION:

APPLICANT: CHEHALIS TRIBES PLANNING DEPARTMENT
ATTN: AMY LOUDERMILK
402 HOWANUT RD
OAKVILLE, WA 98568
360.709.1813

PARCEL NUMBER: X
SITE ADDRESS: 461 SECENA RD, OAKVILLE, WA 98568

PARCEL AREA: X
SANITARY SEWER: CHEHALIS TRIBES
WATER: CHEHALIS TRIBES
FIRE DISTRICT: WEST THURSTON FIRE AUTHORITY
FLOODZONE: X



HORIZONTAL DATUM:

HORIZONTAL - WASHINGTON STATE PLANE COORDINATES, SOUTH ZONE, NAD 83/2011 BASED ON GPS TIES TO CONTROL AND POST PROCESSED THROUGH OPUS SOLUTION.

VERTICAL DATUM:

VERTICAL - NAVD 88 BASED ON GPS TIES TO CONTROL AND POST PROCESSED THROUGH OPUS SOLUTION.

LEGAL DESCRIPTION:

SURVEY UTILITY NOTE:

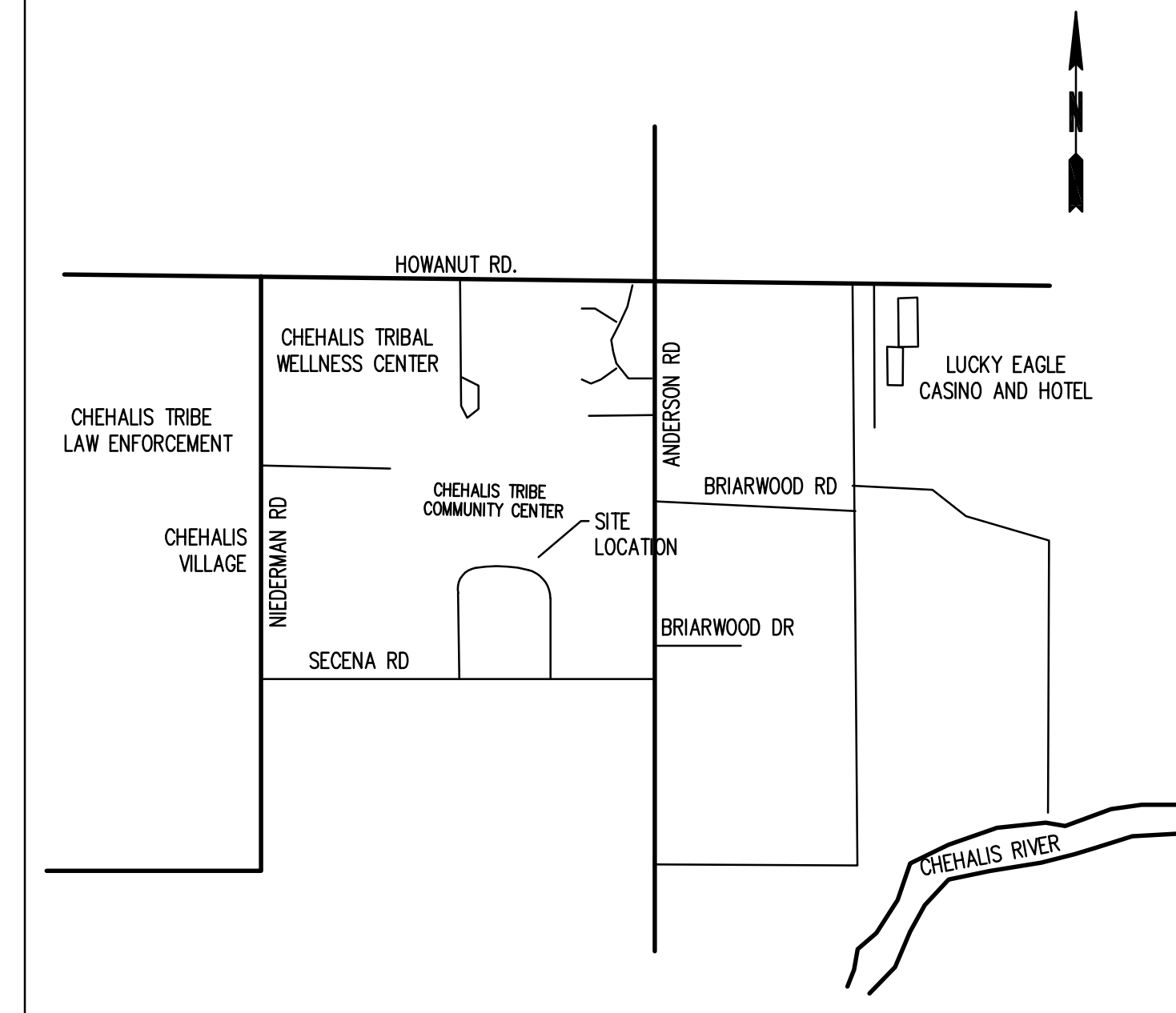
UTILITIES SHOWN HEREON ARE FROM MAPPING VISIBLE SURFACE APPURTENANCES, MAPPING UTILITY PAINT MARKS FROM A UTILITY LOCATING SERVICE, AND USING RECORD UTILITY SYSTEM MAPS PROVIDED BY OTHERS. BURIED UTILITIES ARE ONLY SHOWN AS APPROXIMATE AND SHOULD BE VERIFIED BEFORE CONSTRUCTION

ABBREVIATIONS:

AC	ASPHALT CONCRETE
BCP	BEGIN CURB RETURN
BM	BENCHMARK
BVC	BEGIN VERTICAL CURB
CB	CATCH BASIN
CIP	CAST IRON PIPE
CL	CENTERLINE
CMP	CORRUGATED METAL PIPE
CO	CLEANOUT
CATV	CATV COMMUNICATIONS
DIAM	DIAMETER
DIP	DUCTILE IRON PIPE
EE	ELECTRICAL
ECR	END CURB RETURN
EL	ELEVATION
EVC	END VERTICAL CURB
EXIST	EXISTING
FFE	FINISHED FLOOR ELEVATION
FG	FINISH GRADE
FH	FIRE HYDRANT
FL	FLOWLINE / FLANGE
FM	FORCE MAIN
G	GAS
GM	GAS METER
GB	GB
HP	HIGH POINT
L	CURVE LENGTH
LF	LINEAL FEET
MH	MANHOLE
MJ	MECHANICAL JOINT
PC	POINT OF CURVATURE
PI	POINT OF INTERSECTION
PL	PROPERTY LINE
POB	POINT OF BEGINNING
POC	POINT OF CONNECTION
PT	POINT OF TANGENCY
PVC	POLYVINYL CHLORIDE
R	RADIUS
RCP	REINFORCED CONCRETE PIPE
R/W	RIGHT-OF-WAY
RD	ROOF DRAIN
SS	SANITARY SEWER
SD	STORM SEWER
STA	STATION
STEP	SEPTIC TANK EFFLUENT PUMP
STD DTL	STANDARD DETAIL
T	TELEPHONE
TB	THRUST BLOCK
TC	TOP OF CURB
TYP	TYPICAL
UGP	UNDERGROUND POWER
W	WATER
WM	WATER METER
WV	WATER VALVE

LEGEND & LINETYPES:

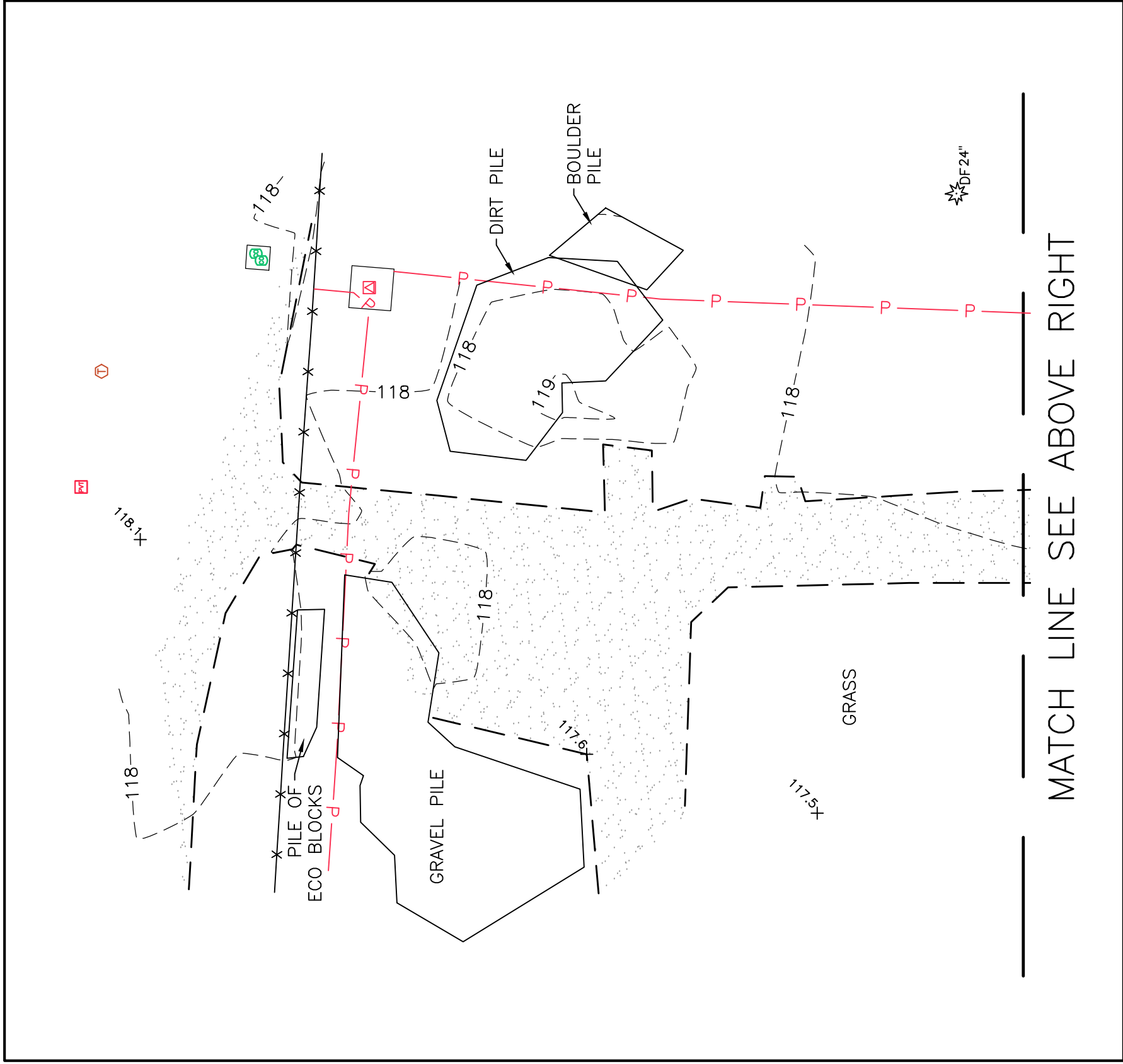
EXISTING	PROPOSED	
---	---	RIGHT-OF-WAY LINE
---	---	PROPERTY LINE
---	---	CENTERLINE
---	---	EASEMENT LINE
---	---	SAWCUT LINE
---	---	EDGE OF PAVEMENT/CURB LINE
---	---	EDGE OF GRAVEL LINE
---	---	SIDEWALK LINE
---	---	BUILDING LINE
---	---	FENCE LINE
---	---	WATER LINE
---	---	SEWER LINE
---	---	FORCE MAIN LINE
---	---	STORM LINE
---	---	DITCH LINE
---	---	ROADWAY STRIPE LINE
---	---	GAS LINE
---	---	POWER LINE
---	---	OVERHEAD POWER LINE
---	---	OVERHEAD PHONE LINE
---	---	TELEPHONE LINE
---	---	CABLE/COMMUNICATIONS LINE
---	---	STORM CATCH BASIN
---	---	STORM MANHOLE
---	---	FIRE HYDRANT
---	---	WATER METER
---	---	GATE VALVE
---	---	THRUST BLOCKING
---	---	WATER BENDS
---	---	WATER TEE
---	---	SEWER MANHOLE
---	---	STORM/SEWER CLEANOUT



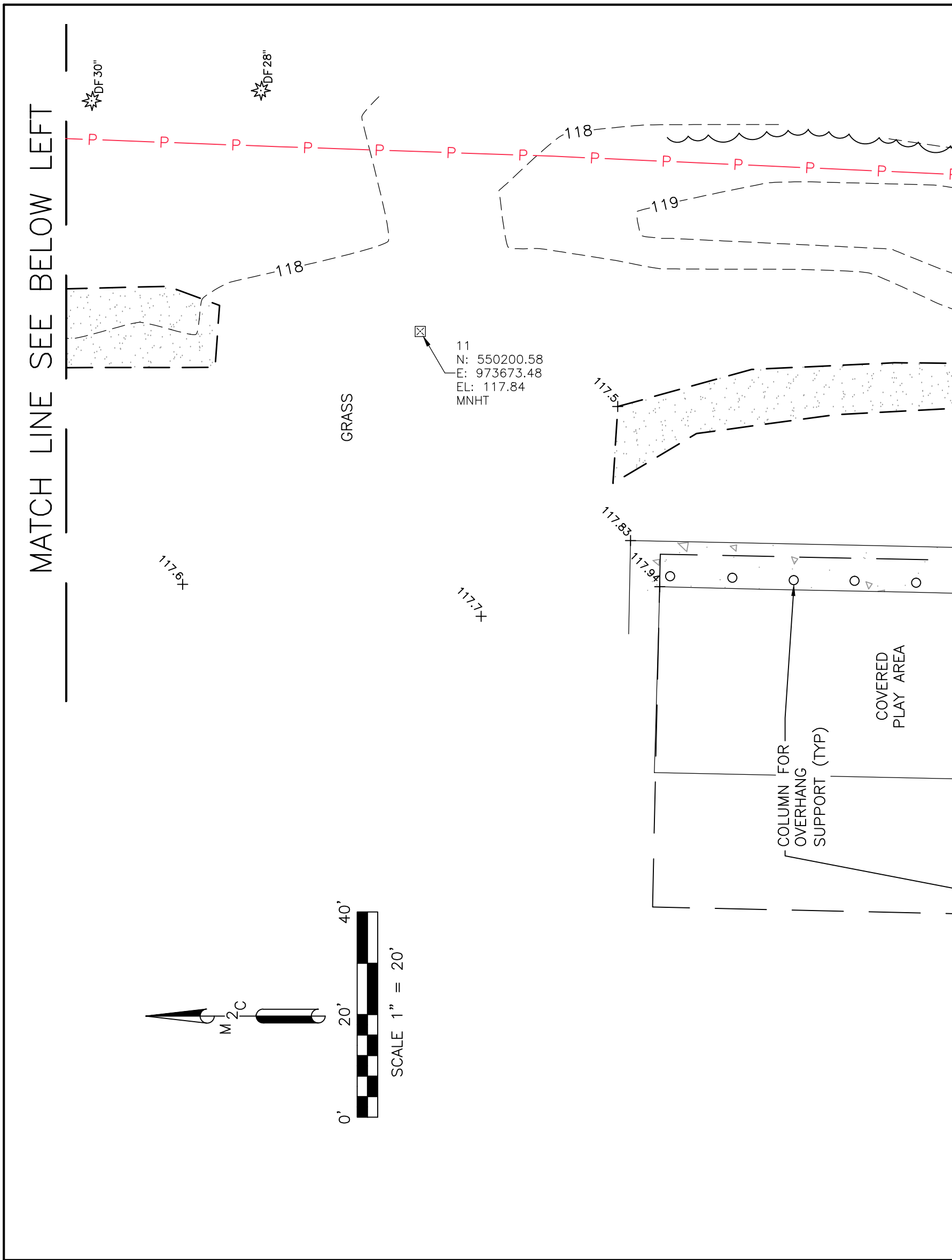
VICINITY MAP
NOT TO SCALE

SHEET INDEX		
SHEET NO.	SHEET REF.	SHEET DESCRIPTION
		CIVIL PLAN SET
1	CV-01	COVER SHEET
2	SV-01	TOPOGRAPHIC SURVEY
3	SP-01	SITE, PAVING AND HORIZONTAL CONTROL PLAN
4	GD-01	GRADING AND STORMWATER PLAN
5	UT-01	UTILITY PLAN
6	DT-01	DETAIL SHEET
7	DT-02	DETAIL SHEET
8	DT-03	DETAIL SHEET
9	EC-01	TESC AND DEMOLITION PLAN
10	EC-02	TESC DETAILS
		BUILDING PLANS
11	G000	BUILDING COVER SHEET
12	A101	PLANS AND ELEVATIONS
13	A190	ROOF PLAN AND DETAILS
14	A300	BUILDING SECTIONS AND DETAILS
15	S1	STRUCTURAL FLOOR AND FRAMING PLAN
16	S2	STRUCTURAL NOTES AND DETAILS
17	A400	INTERIOR IMPROVEMENTS

BY	
DATE	
REVISIONS	
1	
2	
3	
4	
5	
SCALE:	N/A
DATE:	7/15/2022
JOB NUMBER:	1010.04
FILE NUMBER:	1 CV-01
COVER SHEET BASEBALL BATTING CAGES	
CHEHALIS TRIBES PLANNING DEPT 402 HOWANUT RD OAKVILLE, WA 98568 360.709.1813	
 J.E. GIBSON ENGINEERING AND CONSULTING Personalized Engineering Services PO BOX 178 TENINO, WA 98589 360.951.1454 (C)	
DRAWING NO:	CV-01
SHEET NO:	1 of 10



MATCH LINE SEE ABOVE RIGHT



MATCH LINE SEE BELOW LEFT

LINE TYPES

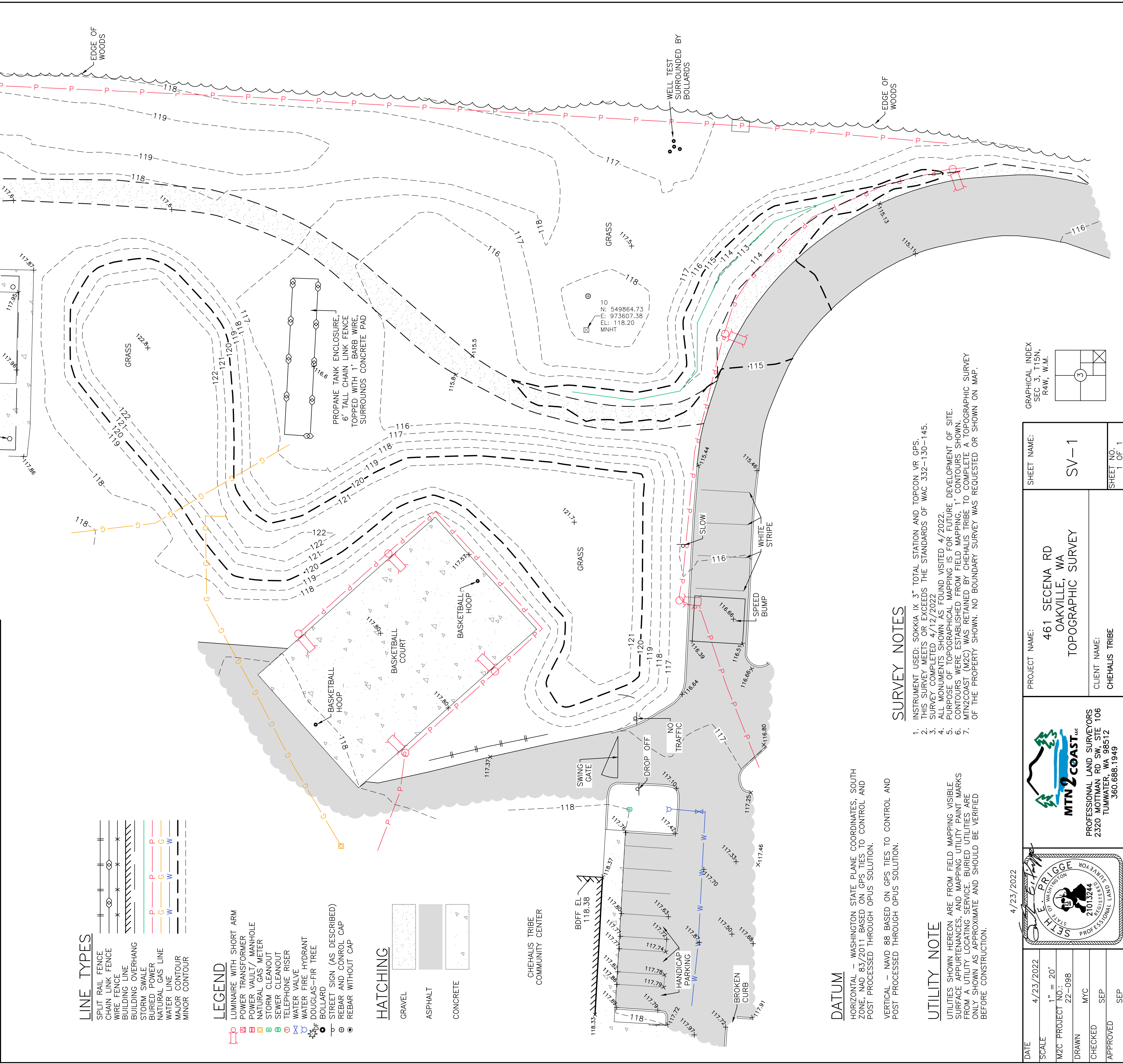
	SPLIT RAIL FENCE
	CHAIN LINK FENCE
	WIRE FENCE
	BUILDING LINE
	BUILDING OVERHANG
	STORM SWALE
	BURIED POWER
	NATURAL GAS LINE
	WATER LINE
	MAJOR CONTOUR
	MINOR CONTOUR

LEGEND

	LUMINAIRE WITH SHORT ARM
	POWER TRANSFORMER
	POWER VAULT/MANHOLE
	NATURAL GAS METER
	STORM CLEANOUT
	SEWER CLEANOUT
	TELEPHONE RISER
	WATER VALVE
	WATER FIRE HYDRANT
	DOUGLAS-FIR TREE
	STREET SIGN (AS DESCRIBED)
	REBAR AND CONTROL CAP
	REBAR WITHOUT CAP

HATCHING

	GRAVEL
	ASPHALT
	CONCRETE



DATUM

HORIZONTAL - WASHINGTON STATE PLANE COORDINATES, SOUTH ZONE, NAD 83/2011 BASED ON GPS TIES TO CONTROL AND POST PROCESSED THROUGH OPUS SOLUTION.

VERTICAL - NAVD 88 BASED ON GPS TIES TO CONTROL AND POST PROCESSED THROUGH OPUS SOLUTION.

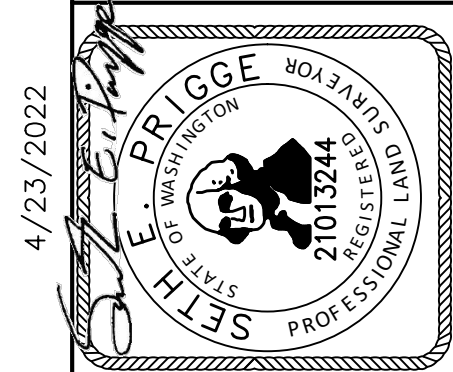
UTILITY NOTE

UTILITIES SHOWN HEREON ARE FROM FIELD MAPPING VISIBLE SURFACE APPURTENANCES, AND MAPPING UTILITY PAINT MARKS FROM A UTILITY LOCATING SERVICE. BURIED UTILITIES ARE ONLY SHOWN AS APPROXIMATE AND SHOULD BE VERIFIED BEFORE CONSTRUCTION.

SURVEY NOTES

1. INSTRUMENT USED: SOKKIA IX 3" TOTAL STATION AND TOPCON VR GPS.
2. THIS SURVEY MEETS OR EXCEEDS THE STANDARDS OF WAC 332-130-145.
3. SURVEY COMPLETED 4/12/2022
4. ALL MONUMENTS SHOWN AS FOUND VISITED 4/2022.
5. PURPOSE OF TOPOGRAPHICAL MAPPING IS FOR FUTURE DEVELOPMENT OF SITE.
6. CONTOURS WERE ESTABLISHED FROM FIELD MAPPING, 1' CONTOURS SHOWN.
7. MTK2COAST (M2C) WAS RETAINED BY CHEHALIS TRIBE TO COMPLETE A TOPOGRAPHIC SURVEY OF THE PROPERTY SHOWN. NO BOUNDARY SURVEY WAS REQUESTED OR SHOWN ON MAP.

DATE	4/23/2022
SCALE	1" = 20'
M2C PROJECT NO.	22-098
DRAWN	MYC
CHECKED	SEP
APPROVED	SEP



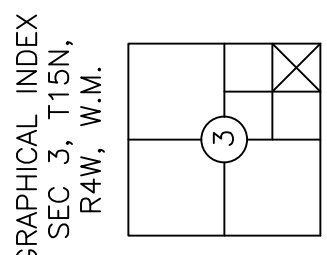
MTN2COAST LLC
 PROFESSIONAL LAND SURVEYORS
 2320 MOTTMAN RD SW, STE 106
 TUMWATER, WA 98512
 360.686.1949

PROJECT NAME:
 461 SECENA RD
 OAKVILLE, WA
 TOPOGRAPHIC SURVEY

CLIENT NAME:
 CHEHALIS TRIBE

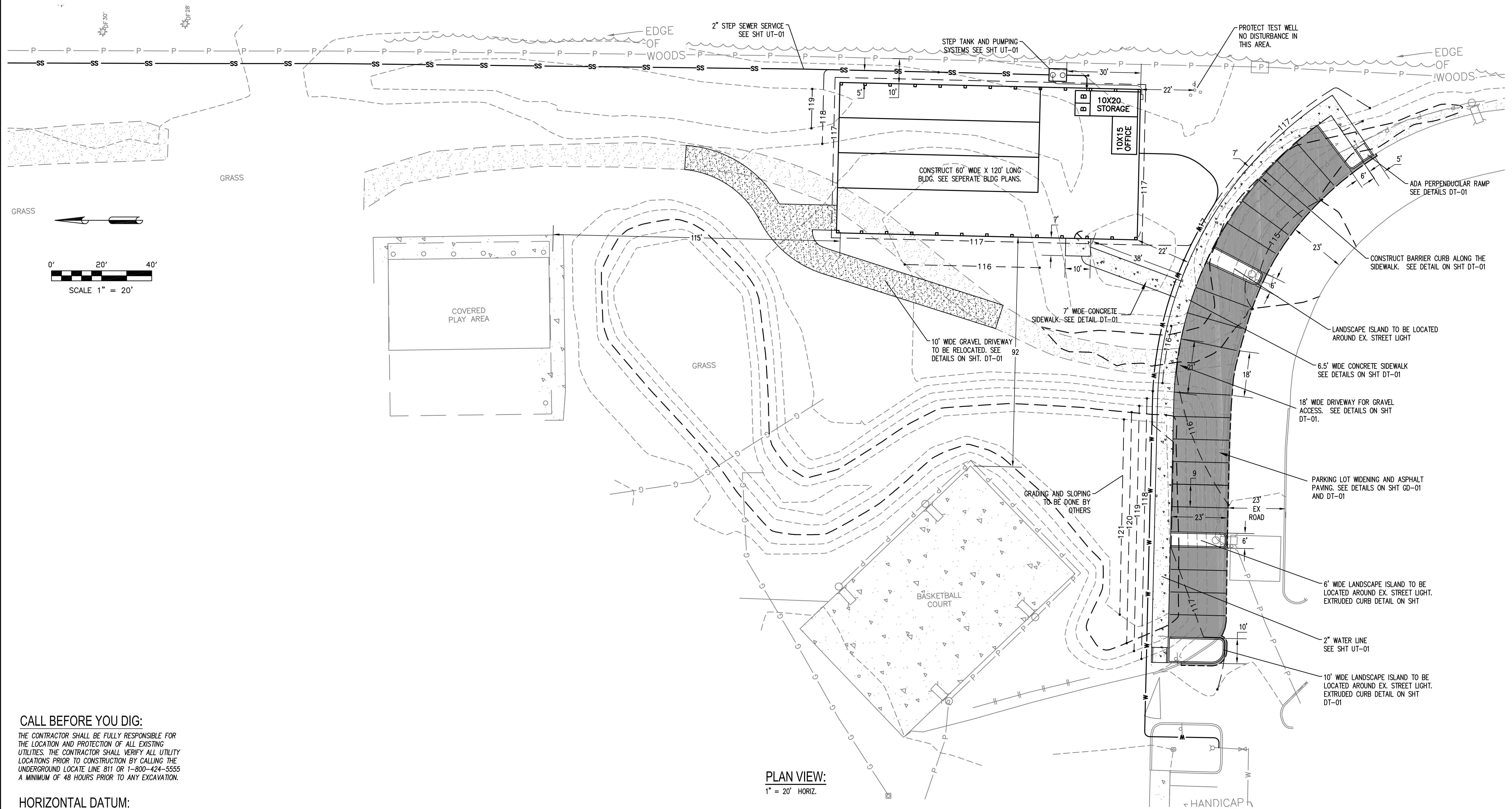
SHEET NAME:
 SV-1

SHEET NO.
 1 OF 1



GRAPHICAL INDEX
 SEC 3, T15N,
 R4W, W.M.

SEC. 03, T15N., R4W, W.M.



PLAN VIEW:
1" = 20' HORIZ.

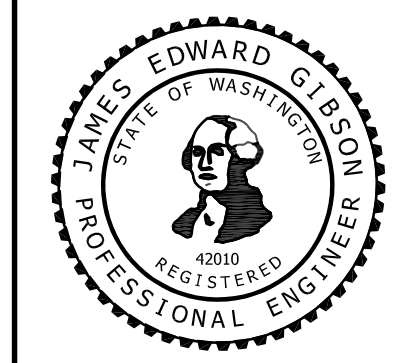
CALL BEFORE YOU DIG:
THE CONTRACTOR SHALL BE FULLY RESPONSIBLE FOR THE LOCATION AND PROTECTION OF ALL EXISTING UTILITIES. THE CONTRACTOR SHALL VERIFY ALL UTILITY LOCATIONS PRIOR TO CONSTRUCTION BY CALLING THE UNDERGROUND LOCATE LINE 811 OR 1-800-424-5555 A MINIMUM OF 48 HOURS PRIOR TO ANY EXCAVATION.

HORIZONTAL DATUM:
HORIZONTAL - WASHINGTON STATE PLANE COORDINATES, SOUTH ZONE, NAD 83/2011 BASED ON GPS TIES TO CONTROL AND POST PROCESSED THROUGH OPUS SOLUTION.

VERTICAL DATUM:
VERTICAL - NAVD 88 BASED ON GPS TIES TO CONTROL AND POST PROCESSED THROUGH OPUS SOLUTION.

UTILITY NOTE:
UTILITIES SHOWN HEREON ARE FROM FIELD MAPPING VISIBLE SURFACE APPURTENANCES, AND MAPPING UTILITY PAINT MARKS FROM A UTILITY LOCATING SERVICE. BURIED UTILITIES ARE ONLY SHOWN AS APPROXIMATE AND SHOULD BE VERIFIED BEFORE CONSTRUCTION.

REVISIONS	DATE	BY
1		
2		
3		
4		
5		



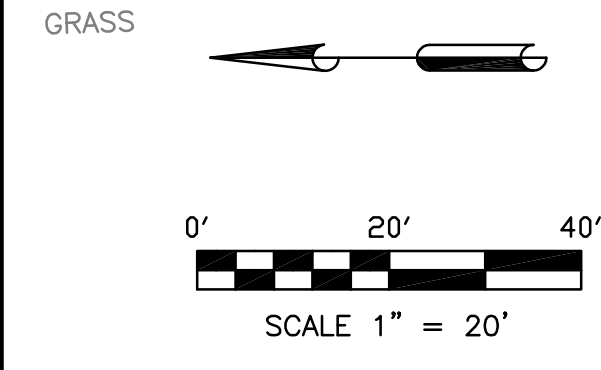
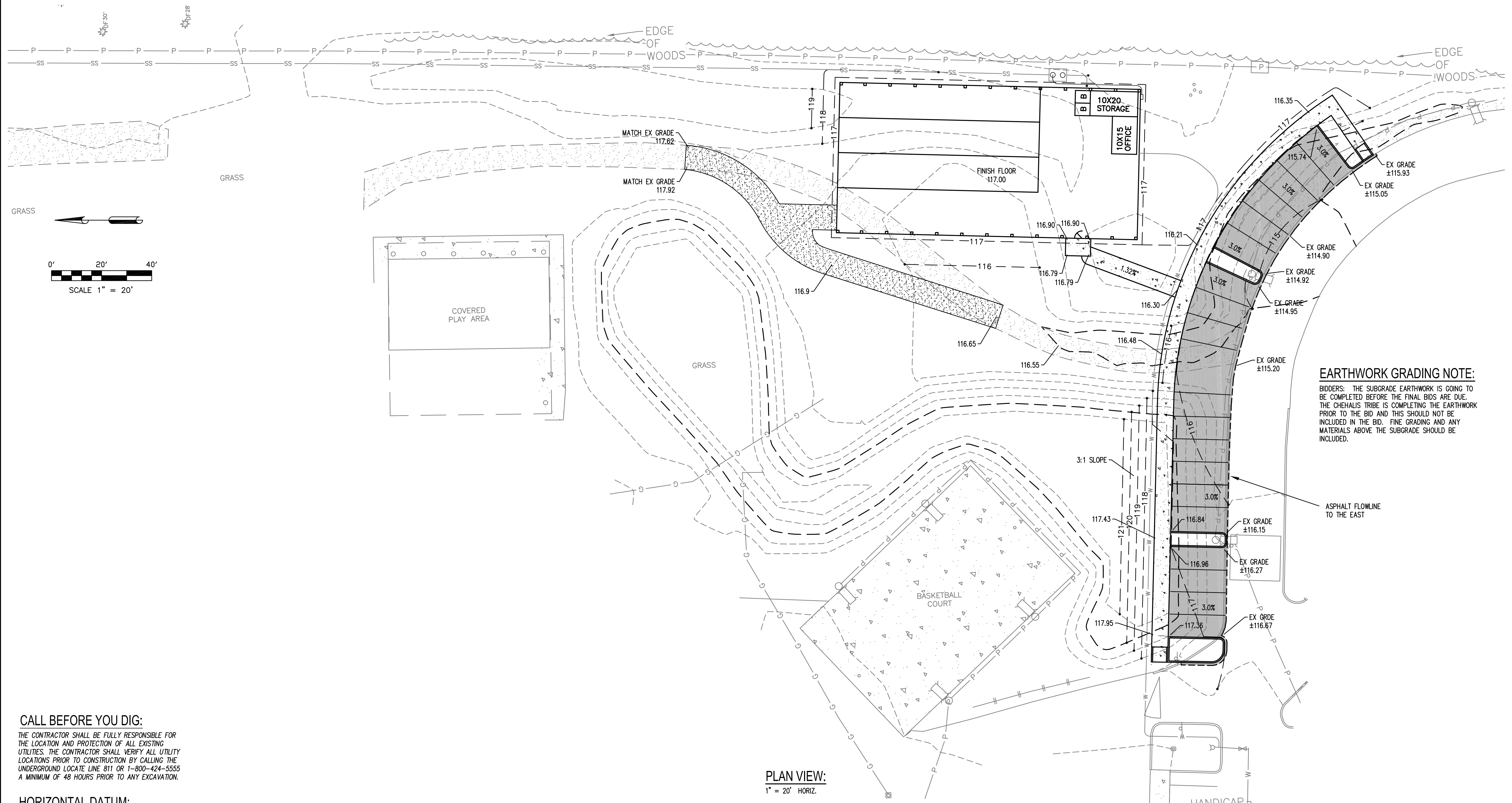
SCALE:	1" = 20'
DATE:	7/15/2022
JOB NUMBER:	1010.04
FILE NUMBER:	3 SP-01

SITE, PAVING AND HORIZONTAL CONTROL PLAN
BASEBALL BATTING CAGES
CHEHALIS TRIBES PLANNING DEPT
402 HOWANUT RD
OAKVILLE, WA 98568
360.709.1813

JEBSON
ENGINEERING AND CONSULTING
Personalized Engineering Services
PO BOX 178 TENINO, WA 98589 360.951.1454 (C)

Aug 05, 2022 9:30:41am - User: jmgd C:\JEBSON CONSULTING\PROJECTS\1010 CHEHALIS PLANNING DEPARTMENT\04 BATTING CAGES\CADD\3 SP-01.DWG

SEC. 03, T15N., R4W, W.M.



EARTHWORK GRADING NOTE:
 BIDDERS: THE SUBGRADE EARTHWORK IS GOING TO BE COMPLETED BEFORE THE FINAL BIDS ARE DUE. THE CHEHALIS TRIBE IS COMPLETING THE EARTHWORK PRIOR TO THE BID AND THIS SHOULD NOT BE INCLUDED IN THE BID. FINE GRADING AND ANY MATERIALS ABOVE THE SUBGRADE SHOULD BE INCLUDED.

PLAN VIEW:
 1" = 20' HORIZ.

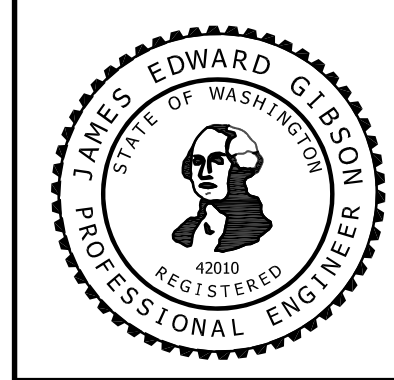
CALL BEFORE YOU DIG:
 THE CONTRACTOR SHALL BE FULLY RESPONSIBLE FOR THE LOCATION AND PROTECTION OF ALL EXISTING UTILITIES. THE CONTRACTOR SHALL VERIFY ALL UTILITY LOCATIONS PRIOR TO CONSTRUCTION BY CALLING THE UNDERGROUND LOCATE LINE 811 OR 1-800-424-5555 A MINIMUM OF 48 HOURS PRIOR TO ANY EXCAVATION.

HORIZONTAL DATUM:
 HORIZONTAL - WASHINGTON STATE PLANE COORDINATES, SOUTH ZONE, NAD 83/2011 BASED ON GPS TIES TO CONTROL AND POST PROCESSED THROUGH OPUS SOLUTION.

VERTICAL DATUM:
 VERTICAL - NAVD 88 BASED ON GPS TIES TO CONTROL AND POST PROCESSED THROUGH OPUS SOLUTION.

UTILITY NOTE:
 UTILITIES SHOWN HEREON ARE FROM FIELD MAPPING VISIBLE SURFACE APPURTENANCES, AND MAPPING UTILITY PAINT MARKS FROM A UTILITY LOCATING SERVICE. BURIED UTILITIES ARE ONLY SHOWN AS APPROXIMATE AND SHOULD BE VERIFIED BEFORE CONSTRUCTION.

REVISIONS	DATE	BY
1		
2		
3		
4		
5		



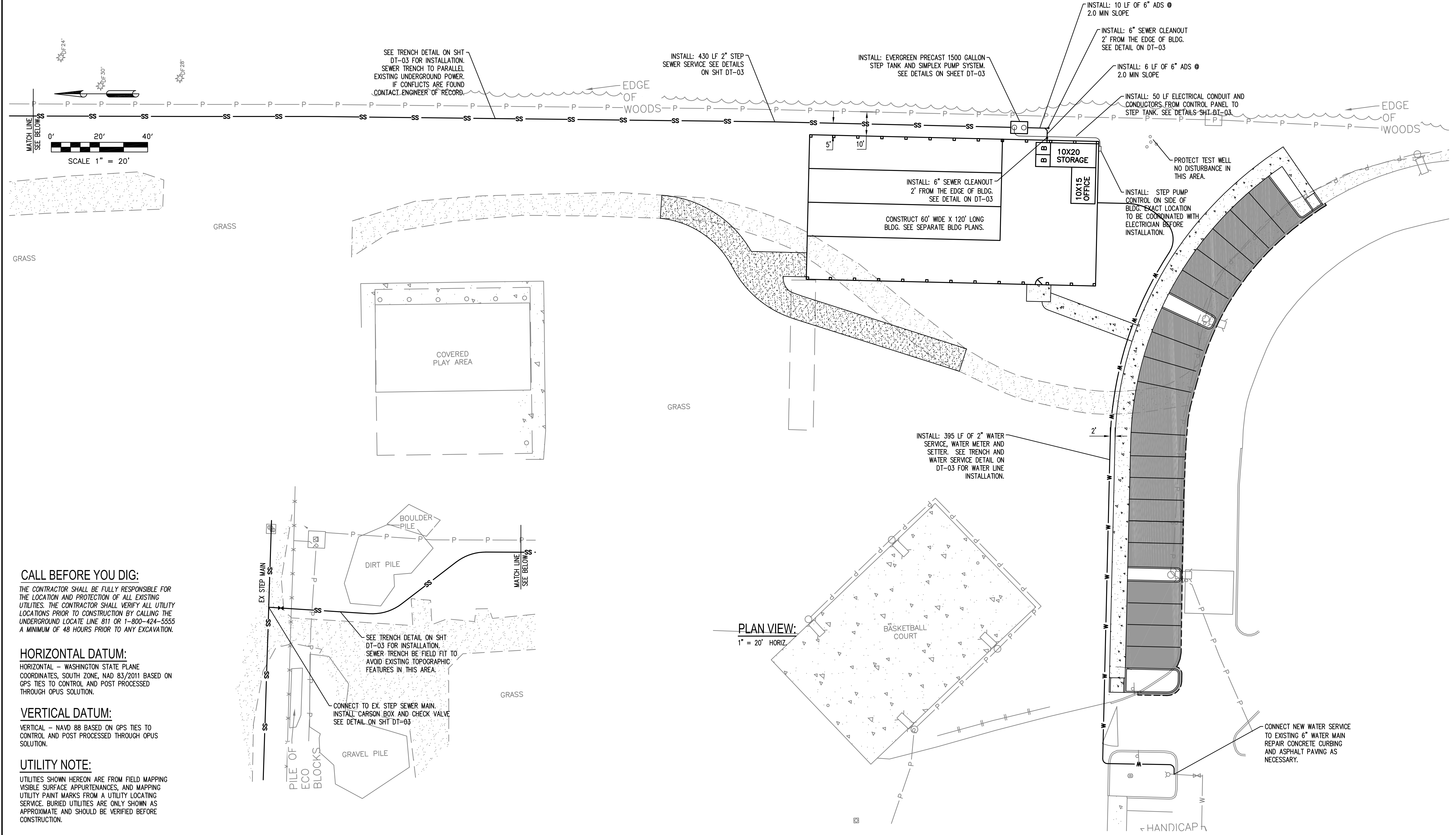
SCALE:	1" = 20'
DATE:	7/15/2022
JOB NUMBER:	101.0.04
FILE NUMBER:	4 GD-01

GRADING AND STORMWATER PLAN
 BASEBALL BATTING CAGES
 CHEHALIS TRIBES PLANNING DEPT
 402 HOWANUT RD
 OAKVILLE, WA 98568
 360.709.1813

JEBSON
 ENGINEERING AND CONSULTING
 Personalized Engineering Services
 PO BOX 178 TENINO, WA 98589 360.951.1454 (C)

Aug 05, 2022 9:27:19am - User: jmg
 C:\J.E. GIBSON CONSULTING\PROJECTS\1010 CHEHALIS PLANNING DEPARTMENT\04 BATTING CAGES\CADD\4 GD-01.DWG

SEC. 03, T15N., R4W, W.M.



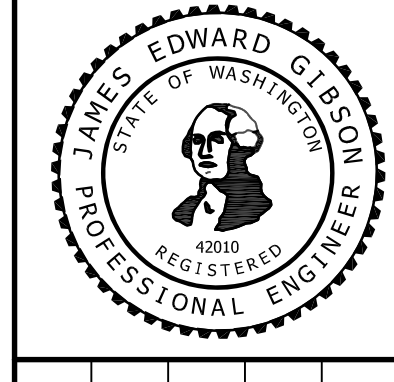
CALL BEFORE YOU DIG:
 THE CONTRACTOR SHALL BE FULLY RESPONSIBLE FOR THE LOCATION AND PROTECTION OF ALL EXISTING UTILITIES. THE CONTRACTOR SHALL VERIFY ALL UTILITY LOCATIONS PRIOR TO CONSTRUCTION BY CALLING THE UNDERGROUND LOCATE LINE 811 OR 1-800-424-5555 A MINIMUM OF 48 HOURS PRIOR TO ANY EXCAVATION.

HORIZONTAL DATUM:
 HORIZONTAL - WASHINGTON STATE PLANE COORDINATES, SOUTH ZONE, NAD 83/2011 BASED ON GPS TIES TO CONTROL AND POST PROCESSED THROUGH OPUS SOLUTION.

VERTICAL DATUM:
 VERTICAL - NAVD 88 BASED ON GPS TIES TO CONTROL AND POST PROCESSED THROUGH OPUS SOLUTION.

UTILITY NOTE:
 UTILITIES SHOWN HEREON ARE FROM FIELD MAPPING VISIBLE SURFACE APPURTENANCES, AND MAPPING UTILITY PAINT MARKS FROM A UTILITY LOCATING SERVICE. BURIED UTILITIES ARE ONLY SHOWN AS APPROXIMATE AND SHOULD BE VERIFIED BEFORE CONSTRUCTION.

NO.	REVISIONS	DATE	BY
1			
2			
3			
4			
5			

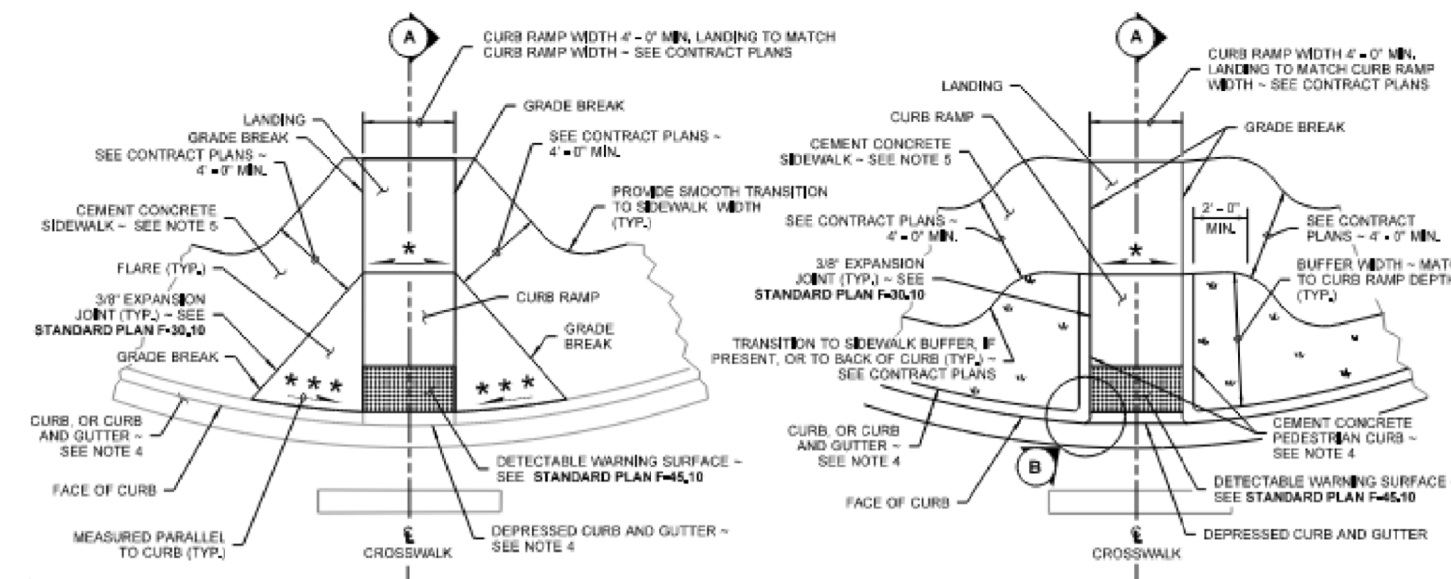


SCALE: 1" = 20'
 DATE: 7/15/2022
 JOB NUMBER: 1010.04
 FILE NUMBER: 5 UT-01

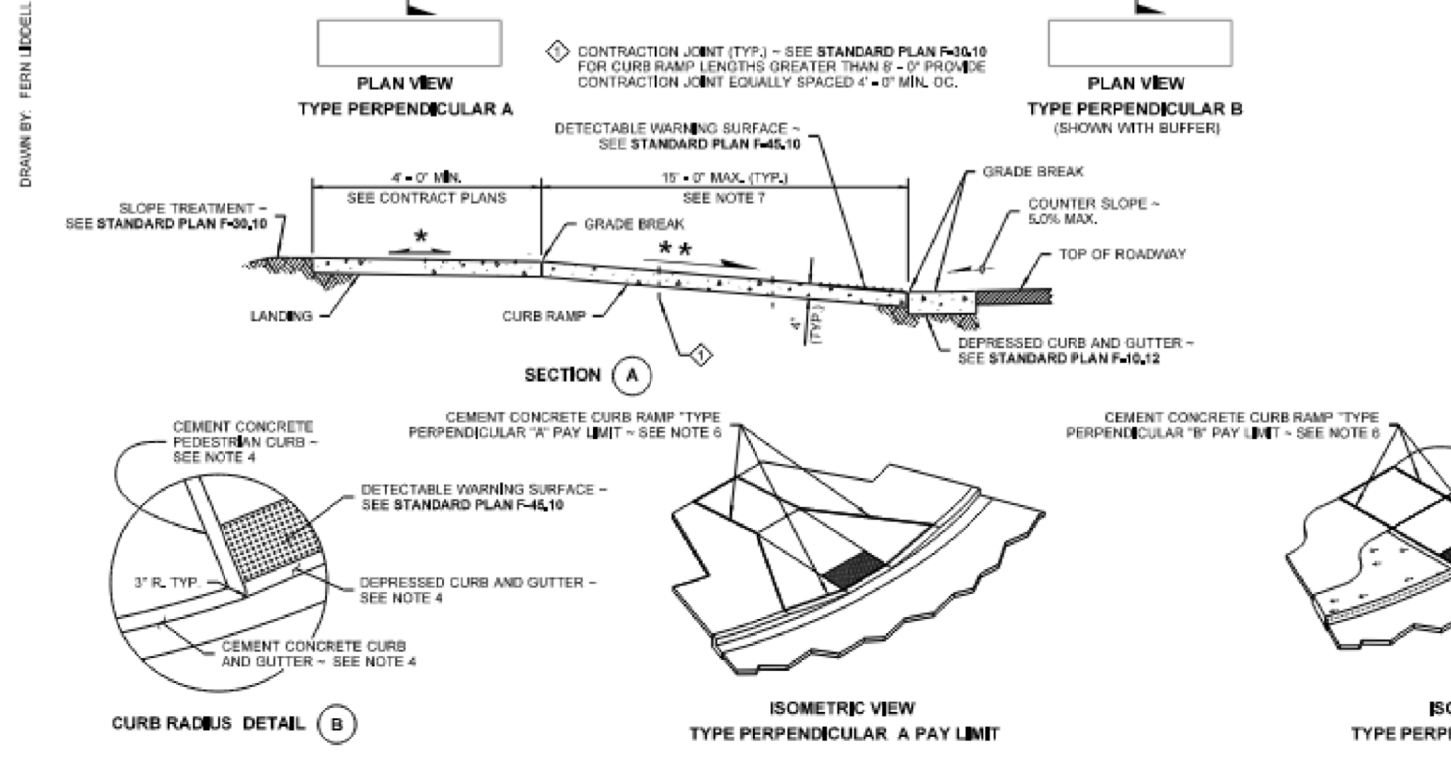
UTILITY PLAN
 BASEBALL BATTING CAGES
 CHEHALIS TRIBES PLANNING DEPT
 402 HOWANUT RD
 OAKVILLE, WA 98568
 360.709.1813

JEBSON
 ENGINEERING AND CONSULTING
 Personalized Engineering Services
 PO BOX 178 TENINO, WA 98589 360.951.1454 (C)

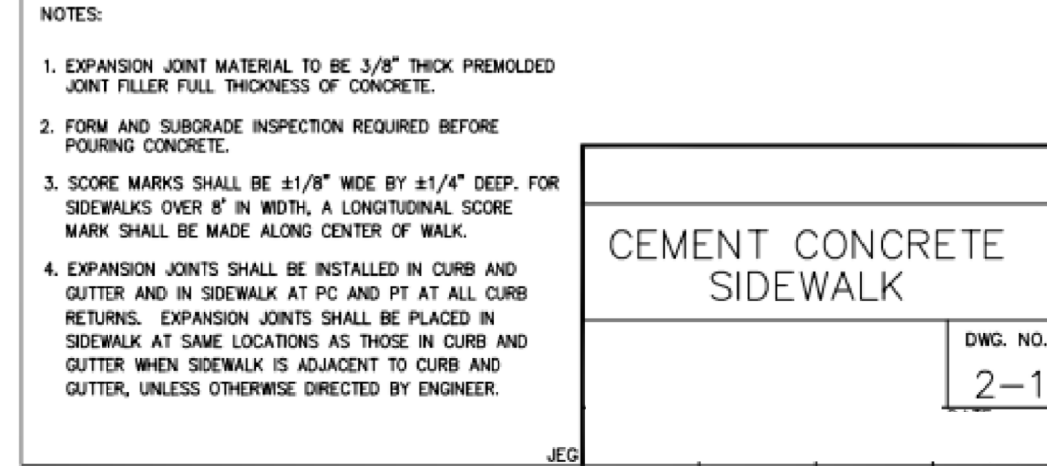
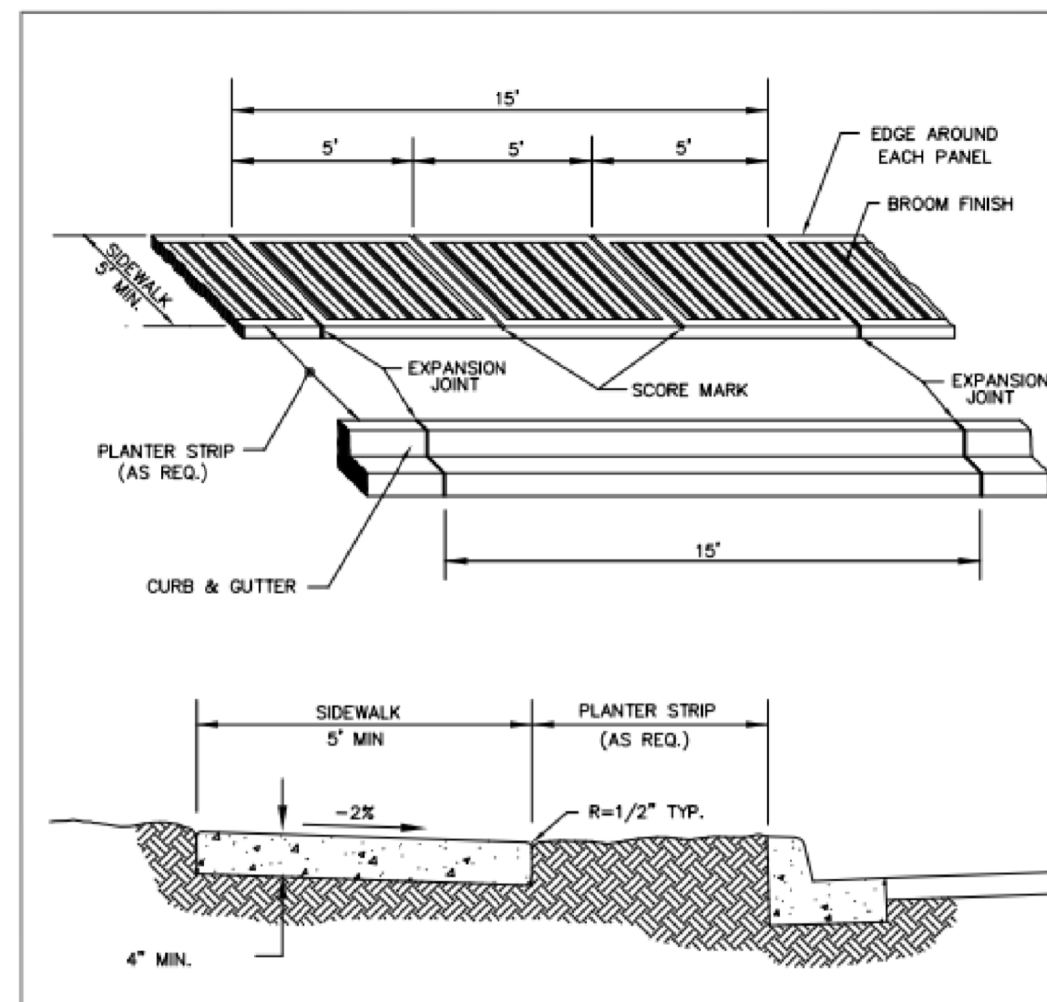
Jul 26, 2022 10:38:33am - User: Jgibson
 C:\J.E. GIBSON CONSULTING\PROJECTS\1010 CHEHALIS PLANNING DEPARTMENT\04 BATTING CAGES\CADD\5 UT-01.DWG



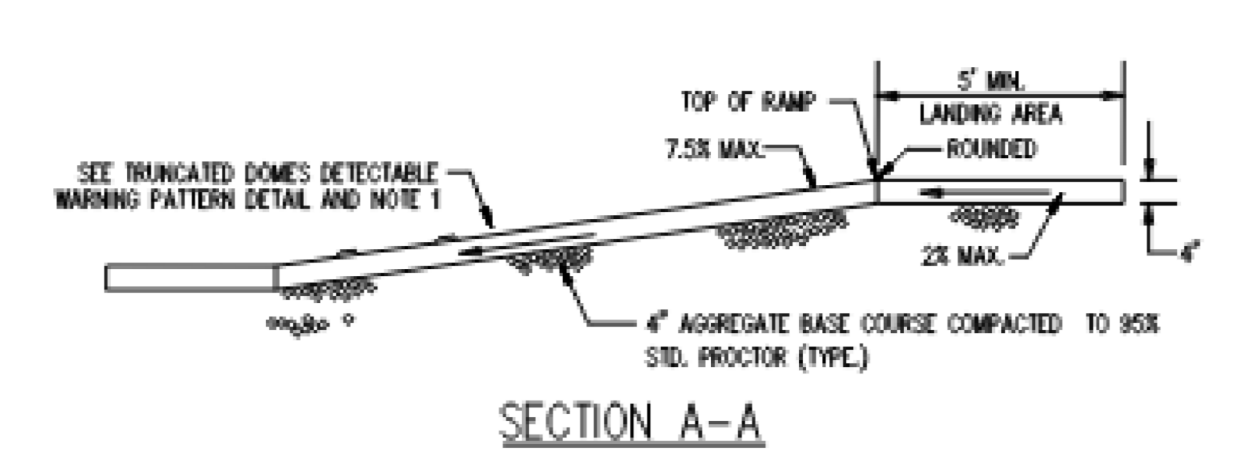
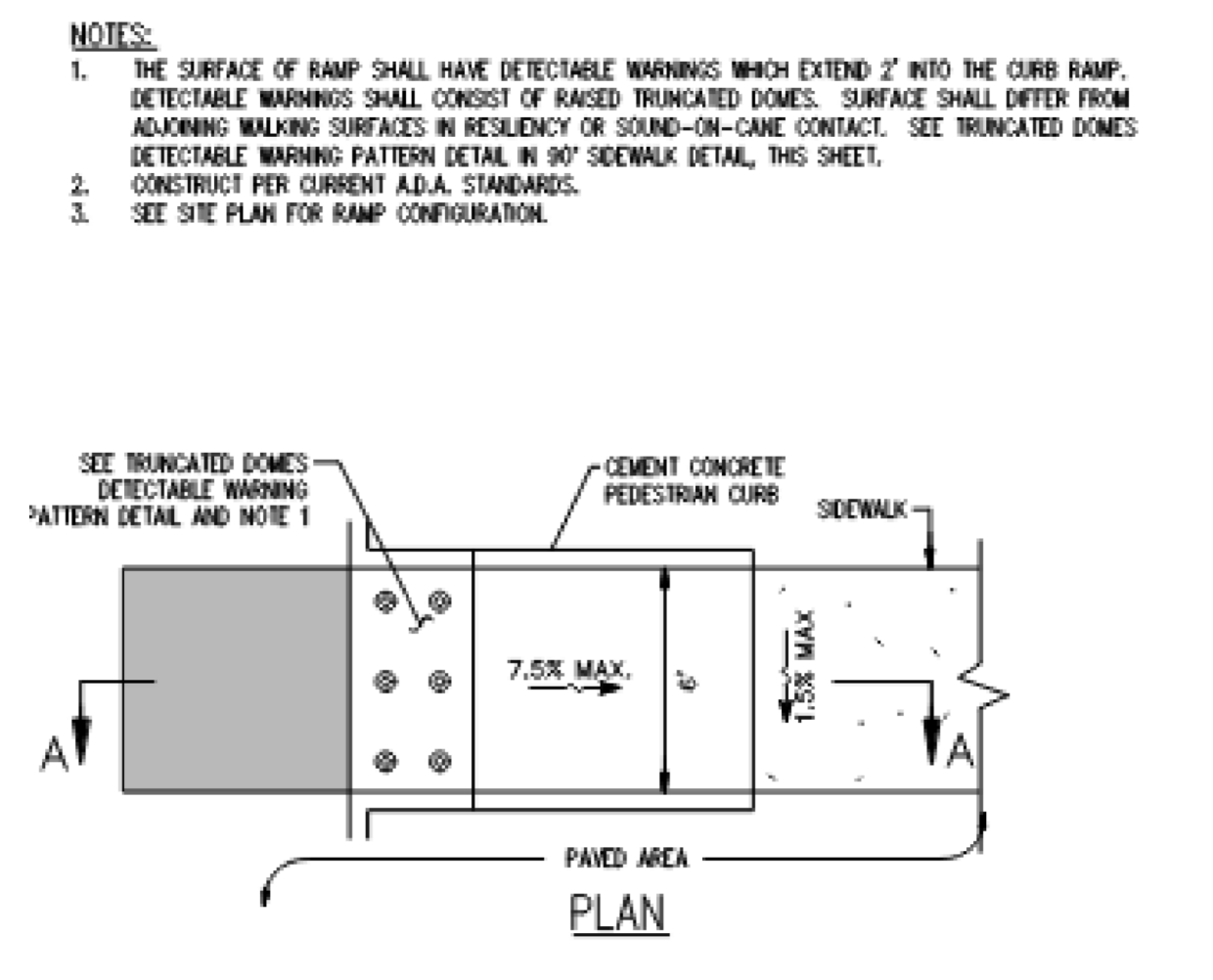
- NOTES**
- At marked crosswalks, the connection between the curb ramp and the roadway must be contained within the width of the crosswalk markings.
 - Where "GRADE BREAK" is called out, the entire length of the grade break between the two adjacent surface planes shall be built.
 - Do not place Gratings, Junction Boxes, Access Covers, or other appurtenances on any part of the Curb Ramp or Landing, or in front of the Curb Ramp where it connects to the roadway.
 - See Contract Plans for the curb design specified. See Standard Plan F-40.15-04 for Curb, Curb and Gutter, Depressed Curb and Gutter, and Pedestrian Curb details.
 - See Standard Plan F-30.10 for Cement Concrete Sidewalk Details. See Contract Plans for width and placement of sidewalk.
 - The Bid Item "Cement Concrete Curb Ramp Type 1" does not include the adjacent Curb, Curb and Gutter, Depressed Curb and Gutter, Pedestrian Curb, or Sidewalk.
 - The Curb Ramp length is not required to exceed 15 feet (unless shown otherwise in the Contract Plans). When applying the 15-foot max. length, the running slope of the Curb Ramp is allowed to exceed 8.3%. Use a single constant slope from bottom of ramp to top of ramp to match into the landing over a horizontal distance of 15 feet. Do not include the abutting landing in the 15-foot max. measurement.
 - Curb Ramps and Landings shall receive a broom finish. See Standard Specifications 6-04.
 - Pedestrian Curb may be omitted if the ground surface at the back of the Curb Ramp and/or Landing will be at the same elevation as the Curb Ramp or Landing and there will not be material to retain.



PERPENDICULAR B - CURB RAMP
N.T.S.



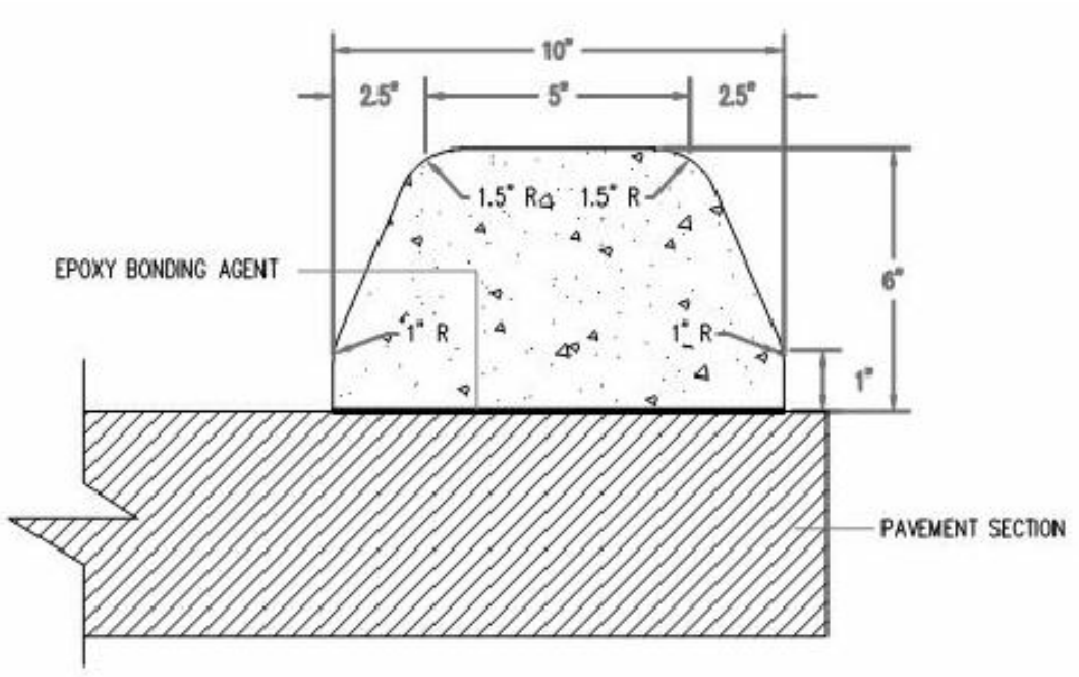
6.5' WIDE CEMENT CONCRETE SIDEWALK
N.T.S.



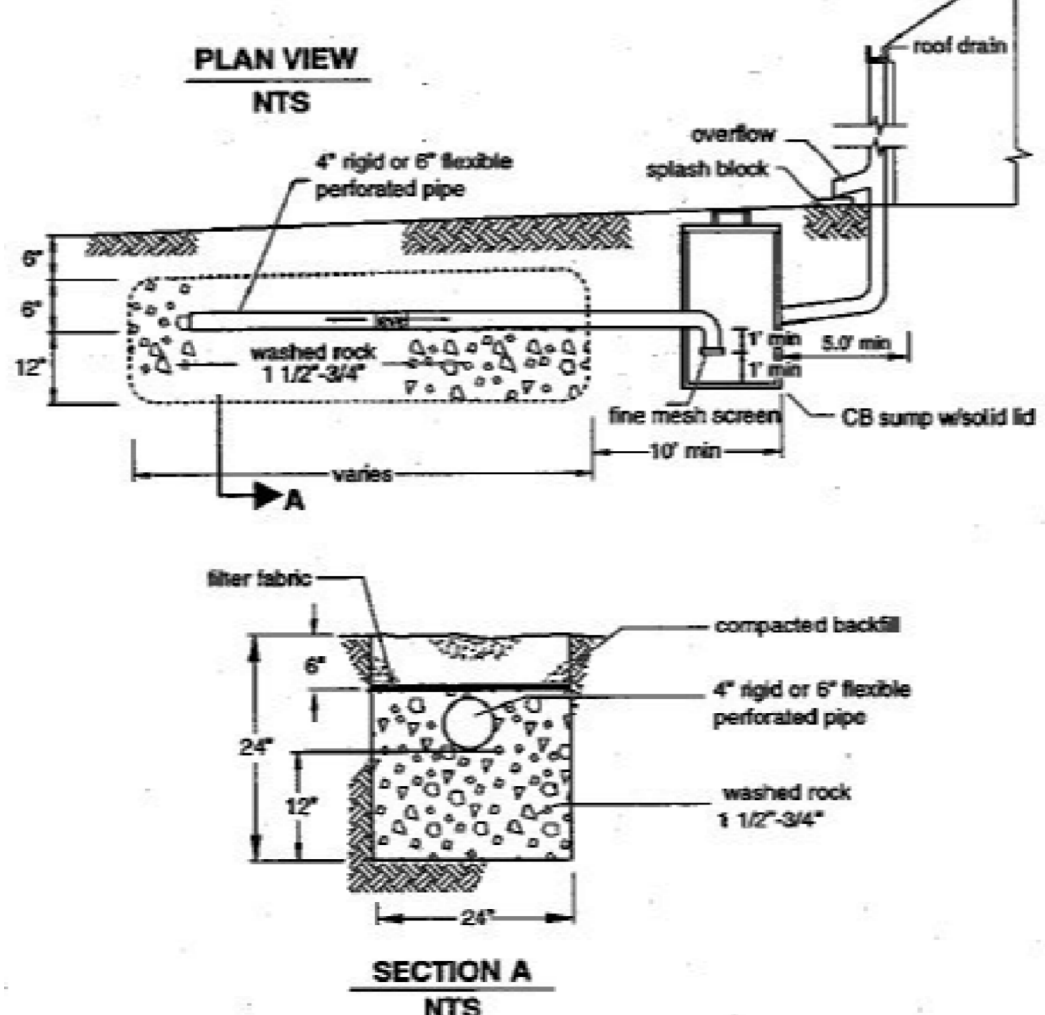
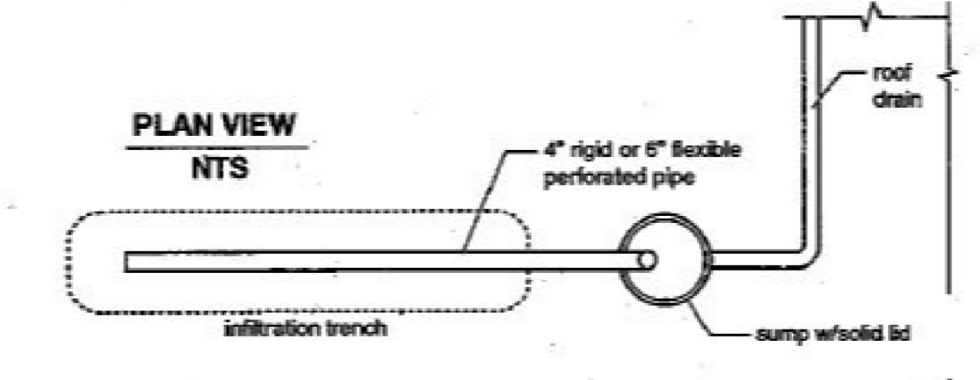
STRAIGHT ADA SIDEWALK RAMP WITH CURB
N.T.S.



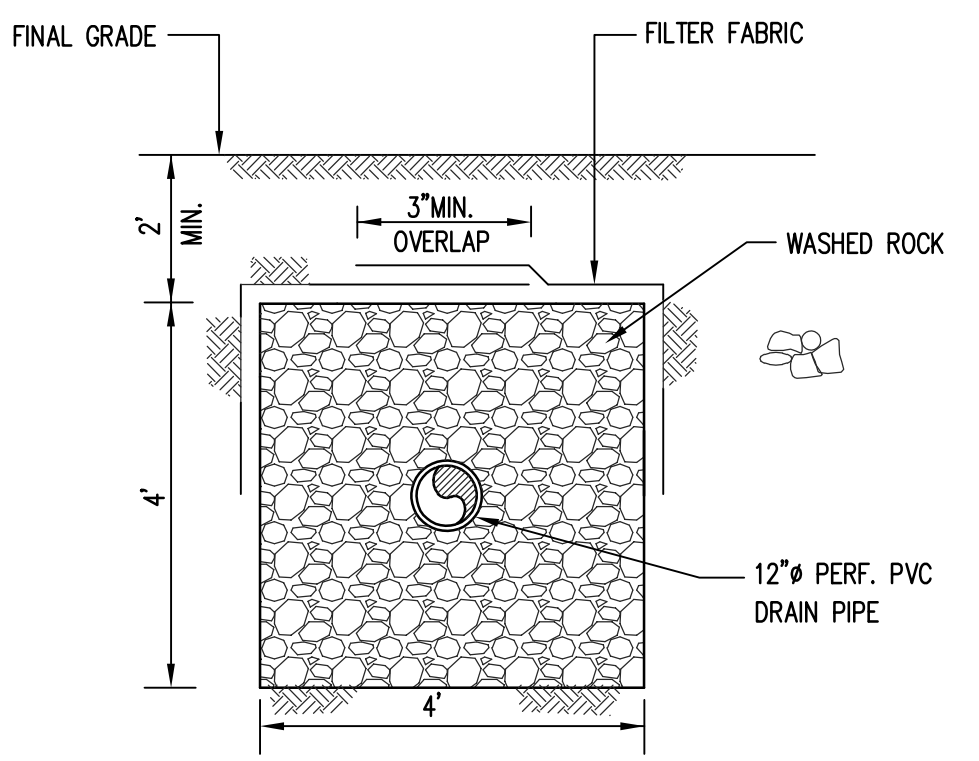
PERPENDICULAR CURB RAMP
STANDARD PLAN F-40.15-04
SHEET 1 OF 1 SHEET
APPROVED FOR PROJECT BY BEN
DATE: 2020.09.25
DRAWN BY: J.E.G.
DATE: 2020.09.25



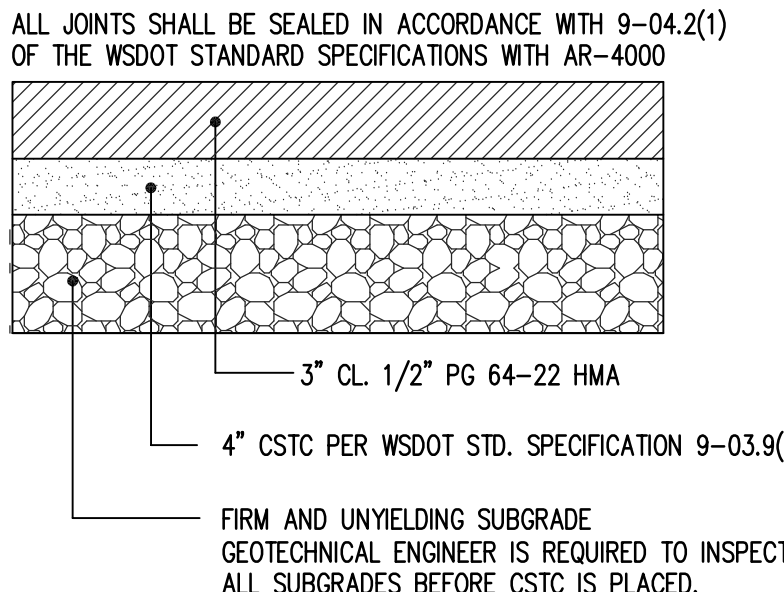
EXTRUDED CONCRETE CURB SECTION



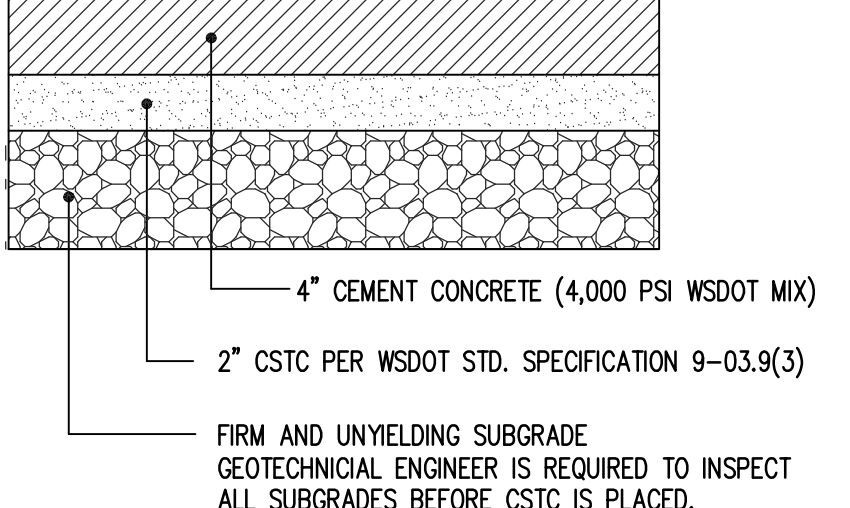
ROOF DOWNSPOUT INFILTRATION TRENCH DETAIL
N.T.S.



INFILTRATION GALLERY SECTION
N.T.S.



ASPHALT PAVEMENT SECTION



CONCRETE SIDEWALK PAVEMENT SECTION

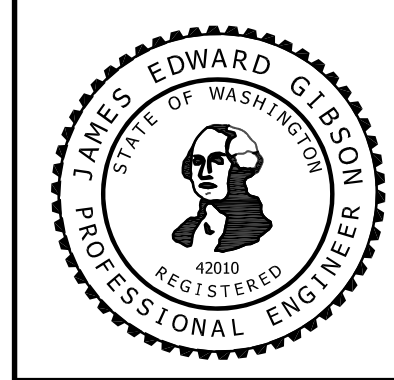
CALL BEFORE YOU DIG:
THE CONTRACTOR SHALL BE FULLY RESPONSIBLE FOR THE LOCATION AND PROTECTION OF ALL EXISTING UTILITIES. THE CONTRACTOR SHALL VERIFY ALL UTILITY LOCATIONS PRIOR TO CONSTRUCTION BY CALLING THE UNDERGROUND LOCATE LINE 811 OR 1-800-424-5555 A MINIMUM OF 48 HOURS PRIOR TO ANY EXCAVATION.

HORIZONTAL DATUM:
HORIZONTAL - WASHINGTON STATE PLANE COORDINATES, SOUTH ZONE, NAD 83/2011 BASED ON GPS TIES TO CONTROL AND POST PROCESSED THROUGH OPUS SOLUTION.

VERTICAL DATUM:
VERTICAL - NAVD 88 BASED ON GPS TIES TO CONTROL AND POST PROCESSED THROUGH OPUS SOLUTION.

UTILITY NOTE:
UTILITIES SHOWN HEREON ARE FROM FIELD MAPPING VISIBLE SURFACE APPURTENANCES, AND MAPPING UTILITY PAINT MARKS FROM A UTILITY LOCATING SERVICE. BURIED UTILITIES ARE ONLY SHOWN AS APPROXIMATE AND SHOULD BE VERIFIED BEFORE CONSTRUCTION.

REVISIONS	DATE	BY
1		
2		
3		
4		
5		



SCALE:	N/A
DATE:	7/15/2022
JOB NUMBER:	1010.04
FILE NUMBER:	6 DT-01

CHEHALIS TRIBES PLANNING DEPT
402 HOWANUT RD
OAKVILLE, WA 98568
360.709.1813

JACOBSON
ENGINEERING AND CONSULTING
Personalized Engineering Services
PO BOX 178 TENINO, WA 98589 360.951.1454 (C)

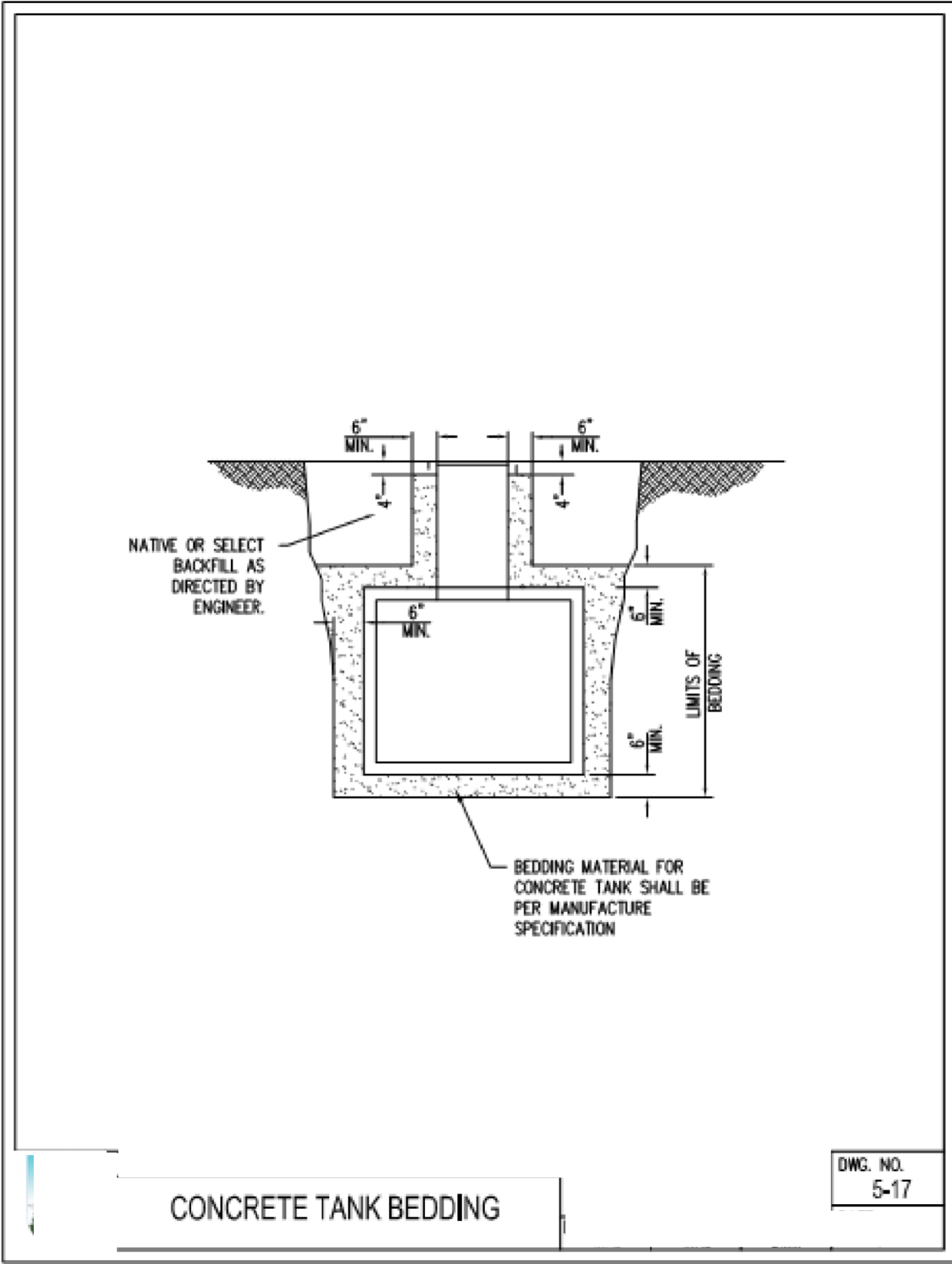
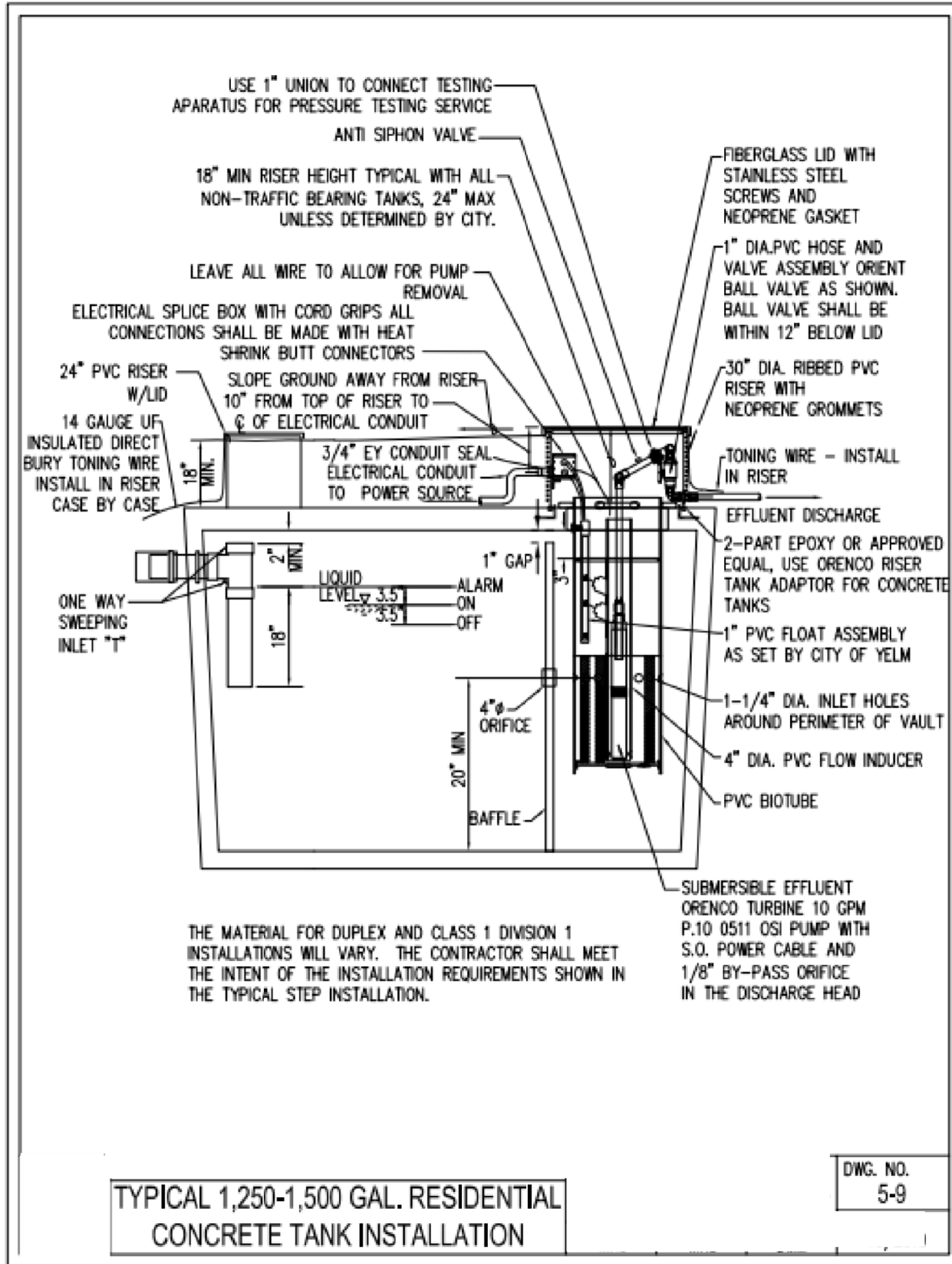
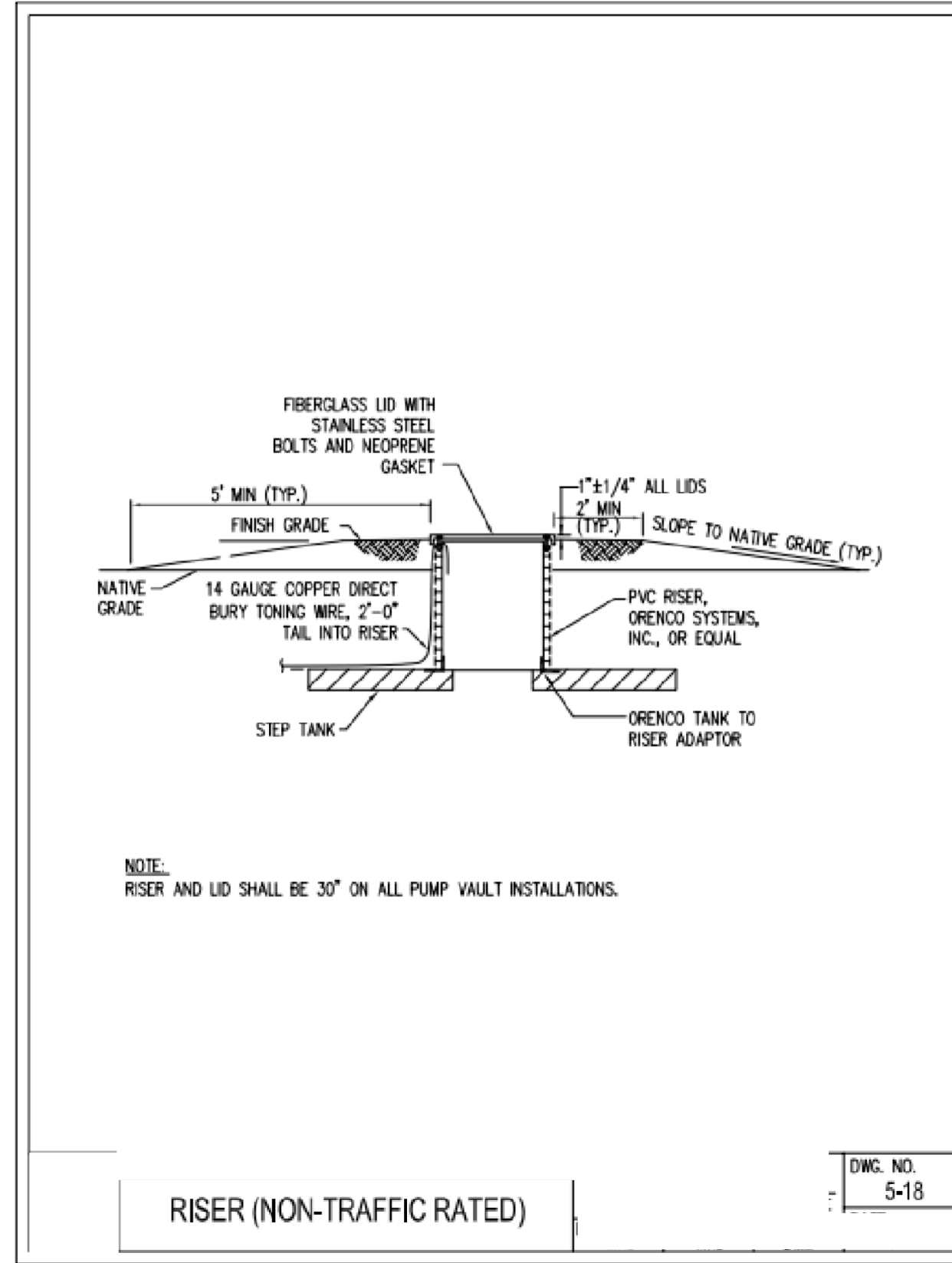
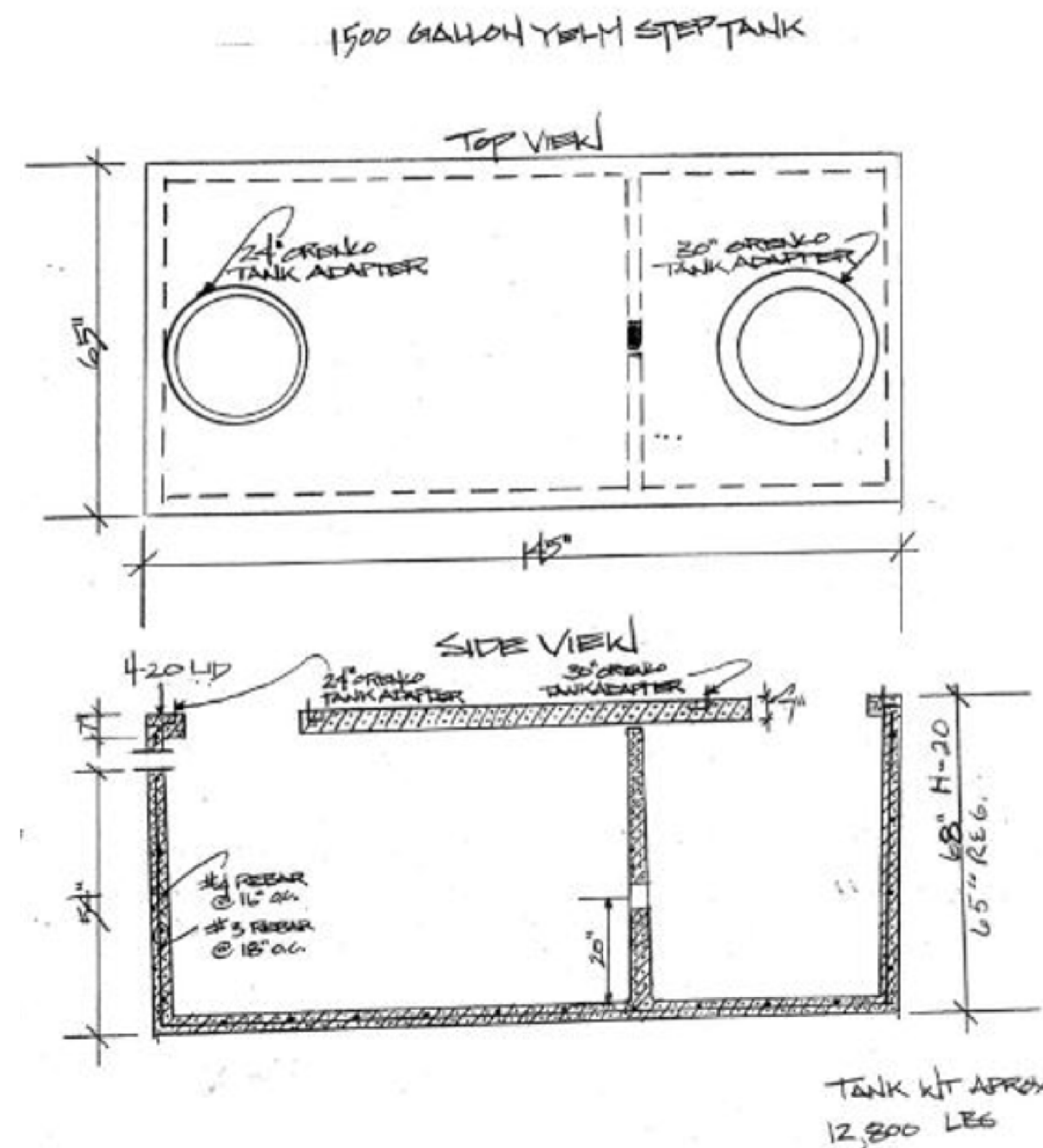
Jul 26, 2022 11:37:09am - User: Jprol C:\E_GIBSON\CONSULTING\PROJECTS\1010 CHEHALIS PLANNING DEPARTMENT\04 BATTING CAGES\CADD\6 DT-01.DWG

SEC. 03, T15N., R4W, W.M.

EVERGREEN PRE-CAST, INC.



P.O. Box 58
 Sumner, WA 98390
 Phone: (253) 863-6510
 FAX: (253) 863-2901

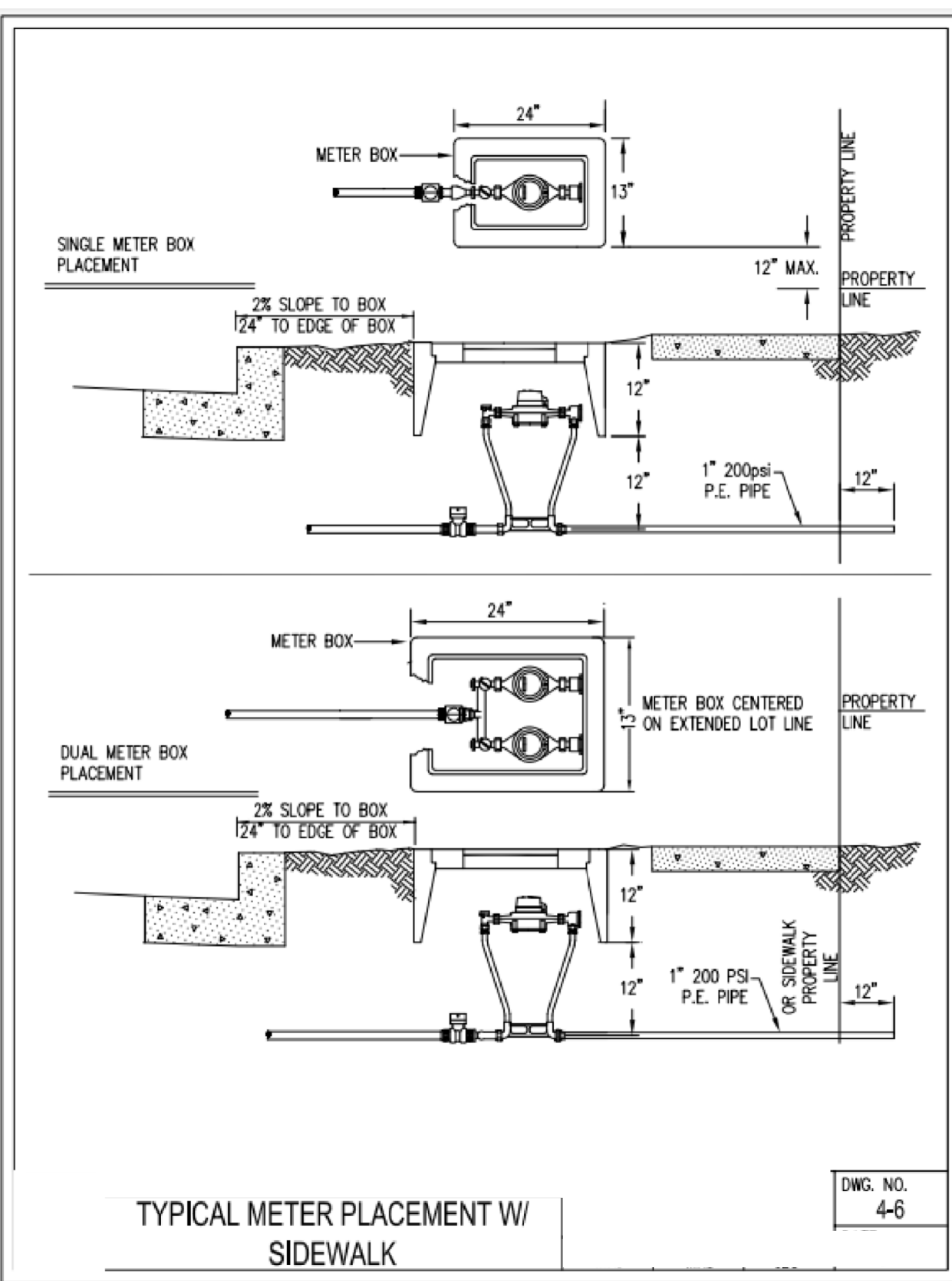
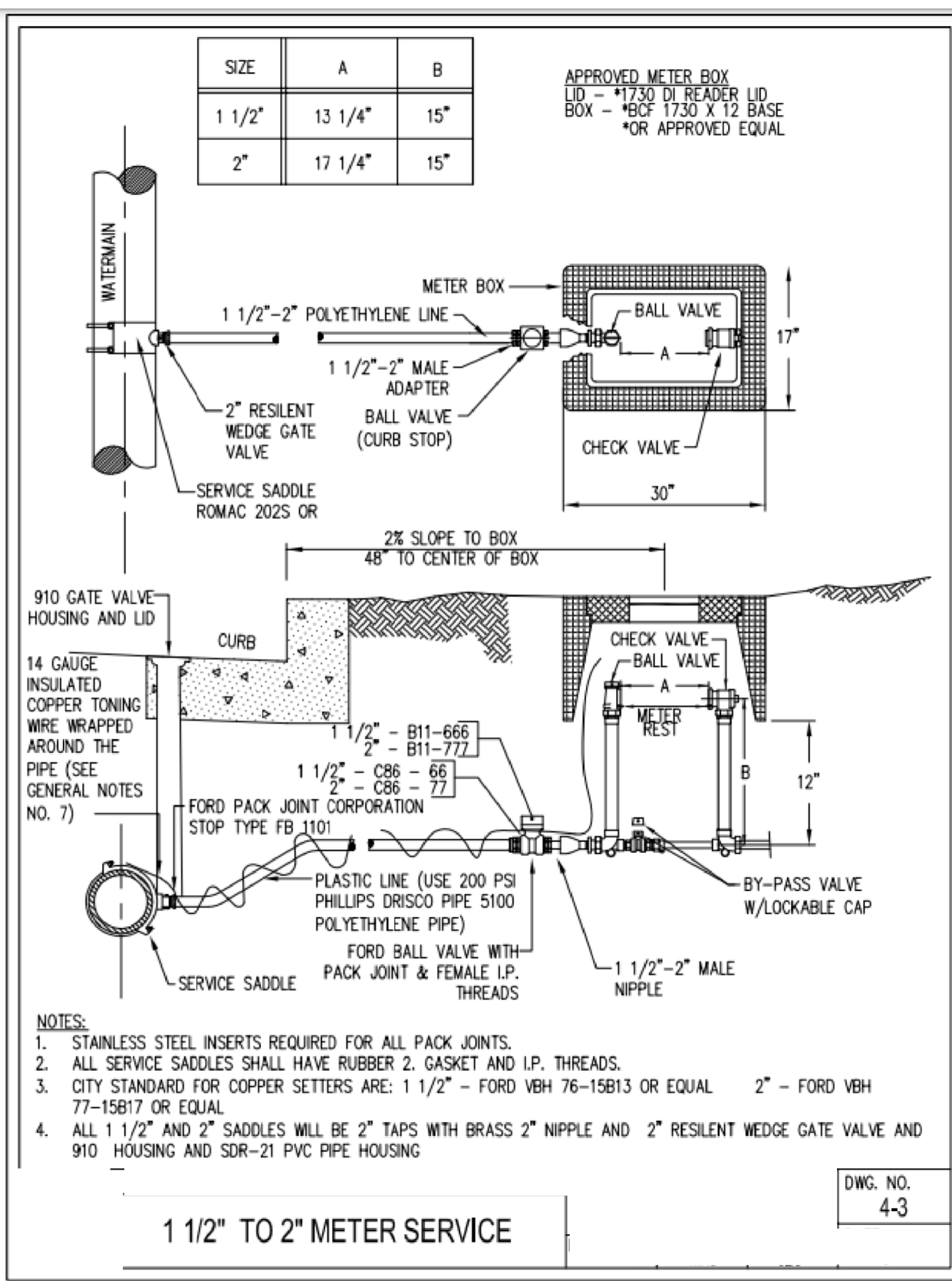


CALL BEFORE YOU DIG:
 THE CONTRACTOR SHALL BE FULLY RESPONSIBLE FOR THE LOCATION AND PROTECTION OF ALL EXISTING UTILITIES. THE CONTRACTOR SHALL VERIFY ALL UTILITY LOCATIONS PRIOR TO CONSTRUCTION BY CALLING THE UNDERGROUND LOCATE LINE 811 OR 1-800-424-5555 A MINIMUM OF 48 HOURS PRIOR TO ANY EXCAVATION.

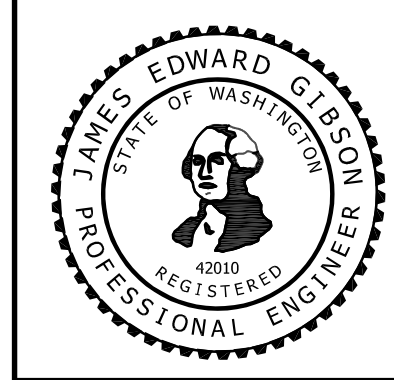
HORIZONTAL DATUM:
 HORIZONTAL - WASHINGTON STATE PLANE COORDINATES, SOUTH ZONE, NAD 83/2011 BASED ON GPS TIES TO CONTROL AND POST PROCESSED THROUGH OPUS SOLUTION.

VERTICAL DATUM:
 VERTICAL - NAVD 88 BASED ON GPS TIES TO CONTROL AND POST PROCESSED THROUGH OPUS SOLUTION.

UTILITY NOTE:
 UTILITIES SHOWN HEREON ARE FROM FIELD MAPPING VISIBLE SURFACE APPURTENANCES, AND MAPPING UTILITY PAINT MARKS FROM A UTILITY LOCATING SERVICE. BURIED UTILITIES ARE ONLY SHOWN AS APPROXIMATE AND SHOULD BE VERIFIED BEFORE CONSTRUCTION.



REVISIONS	DATE	BY
1		
2		
3		
4		
5		



SCALE: N/A
 DATE: 7/15/2022
 JOB NUMBER: 1010.04
 FILE NUMBER: 7 DT-02

DETAIL SHEET
 BASEBALL BATTING CAGES
 CHEHALIS TRIBES PLANNING DEPT
 402 HOWANUT RD
 OAKVILLE, WA 98568
 360.709.1813



DRAWING NO: DT-02
 SHEET NO: 7 of 10

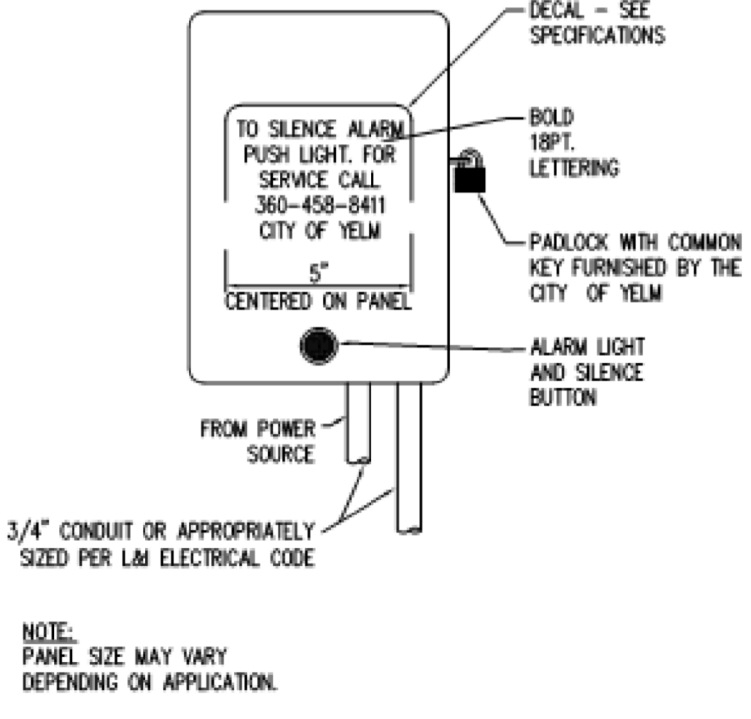
Jul 26, 2022 11:27:51am - User: jmg
 C:\E_GIBSON\CONSULTING\PROJECTS\1010 CHEHALIS PLANNING DEPARTMENT\04 BATTING CAGES\CADD\7 DT-02.DWG

SEC. 03, T15N., R4W, W.M.

TABLE FOR FEEDER WIRE RUN

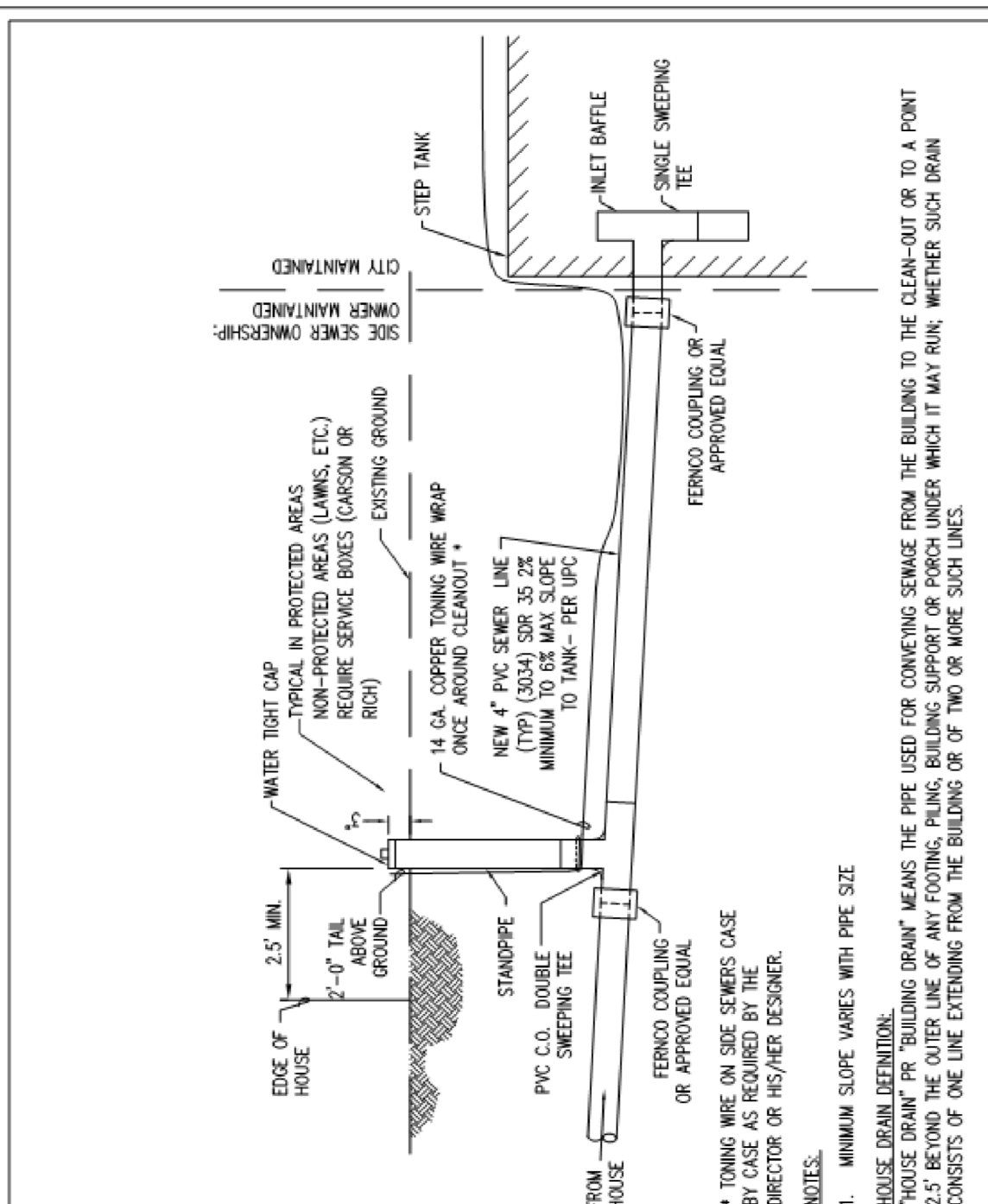
WIRE SIZE	MAXIMUM DISTANCE
#12 AWG COPPER	150 FEET
#10 AWG COPPER	250 FEET
#8 AWG COPPER	350 FEET

(SEE SPECIFICATIONS FOR ADDITIONAL INFORMATION).



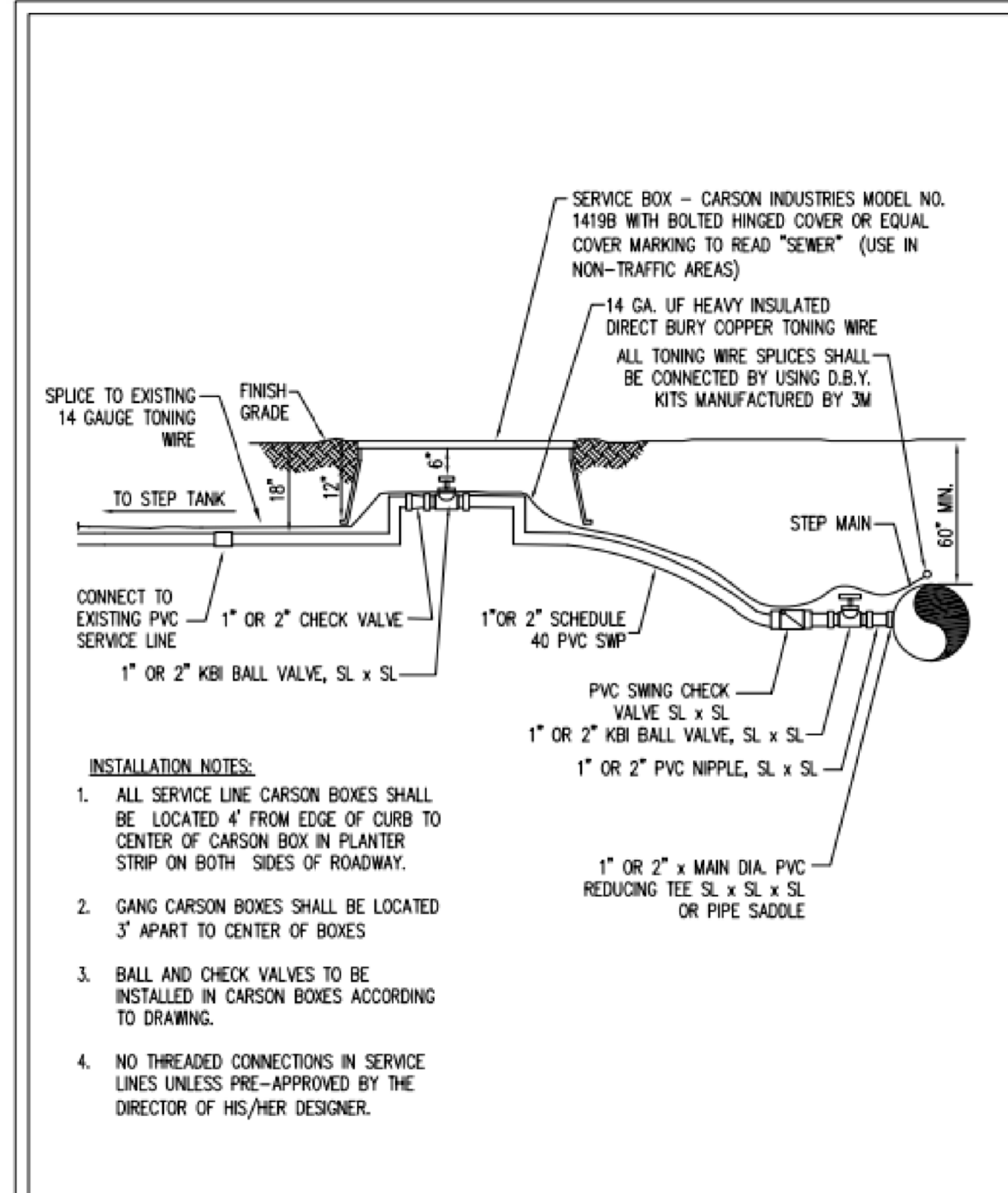
TYPICAL PUMP CONTROL PANEL

DWG. NO. 5-6



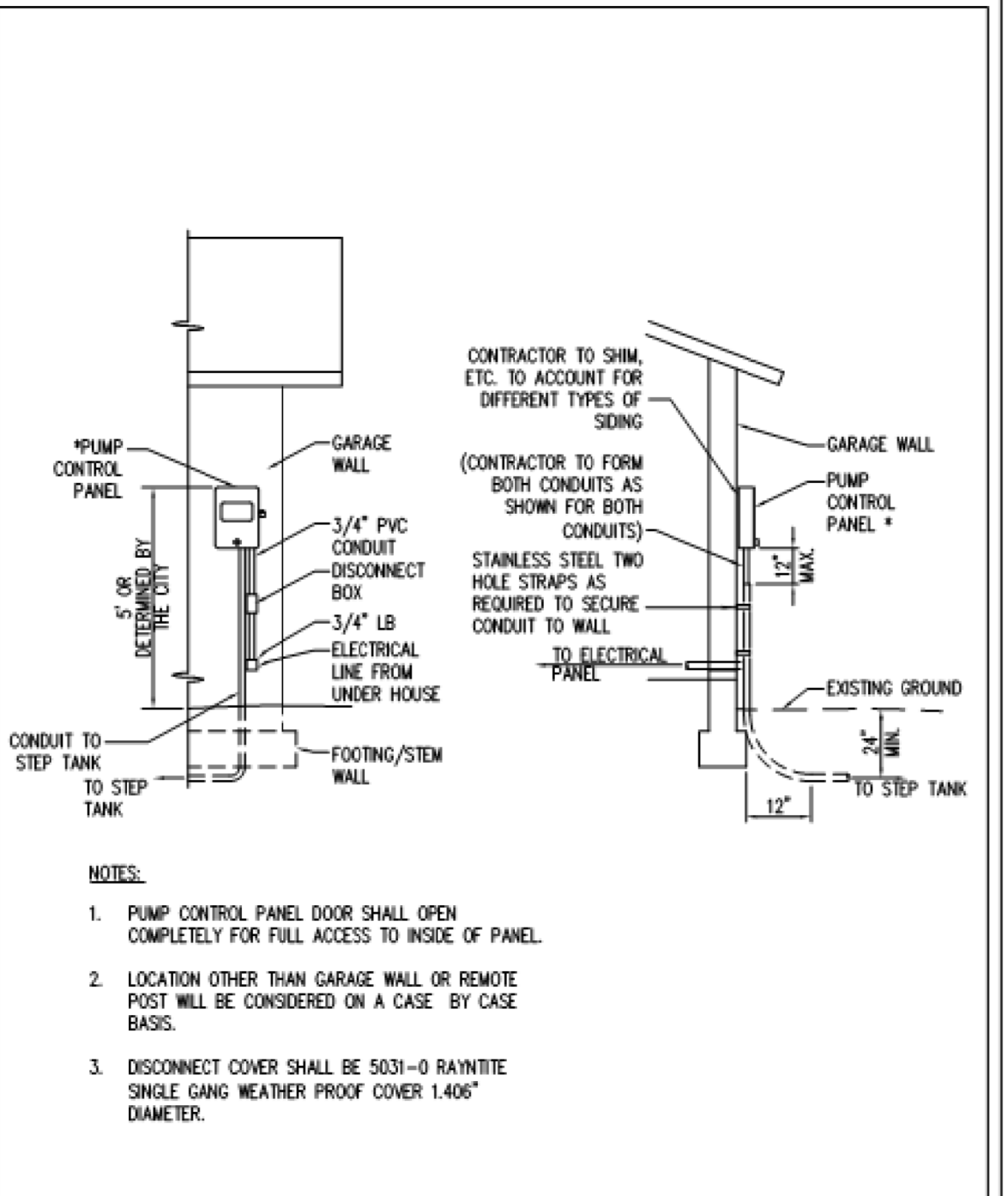
TYPICAL CONNECTION

DWG. NO. 5-7



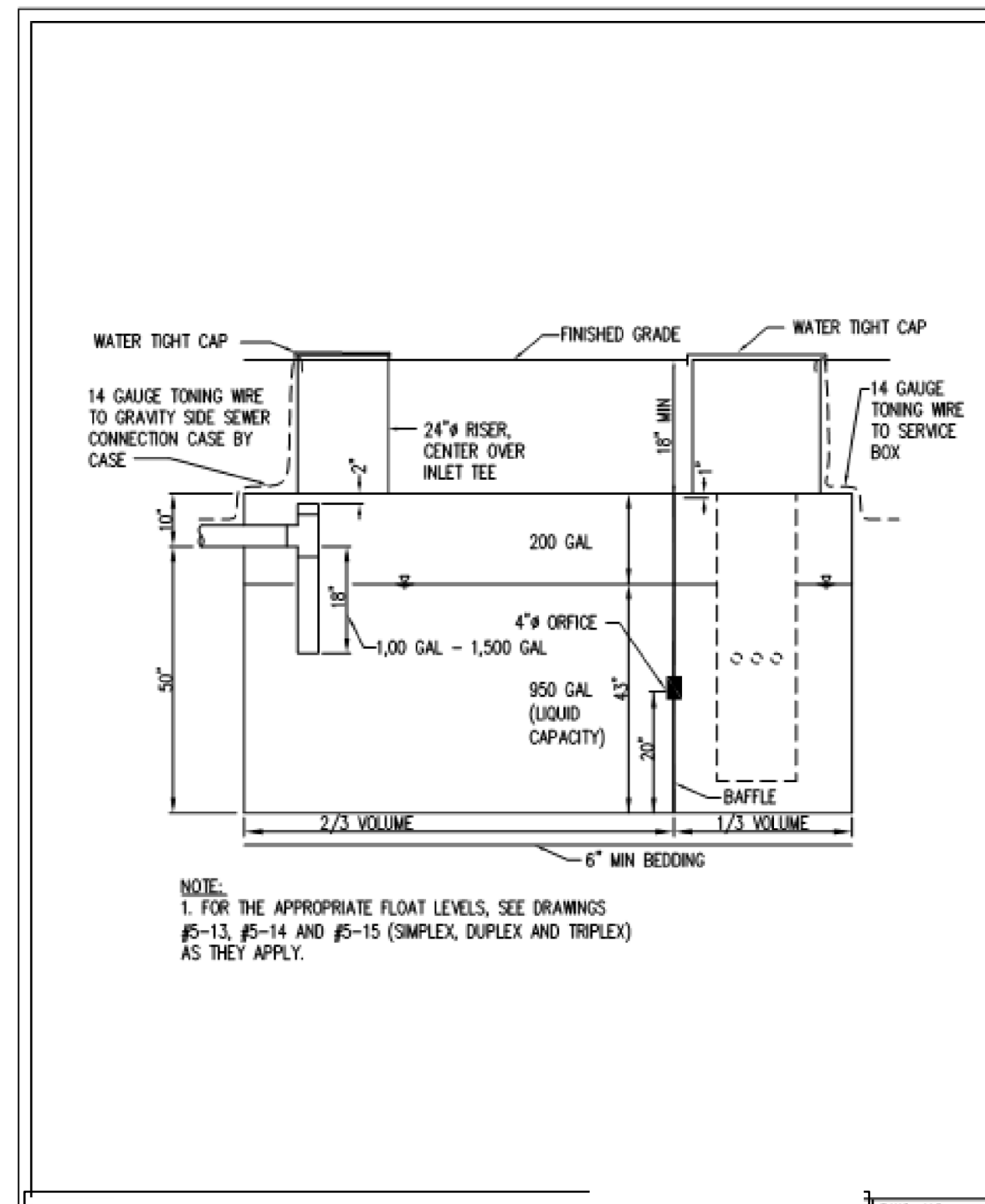
TYPICAL 1" AND 2" SERVICE CONNECTIONS

DWG. NO. 5-1



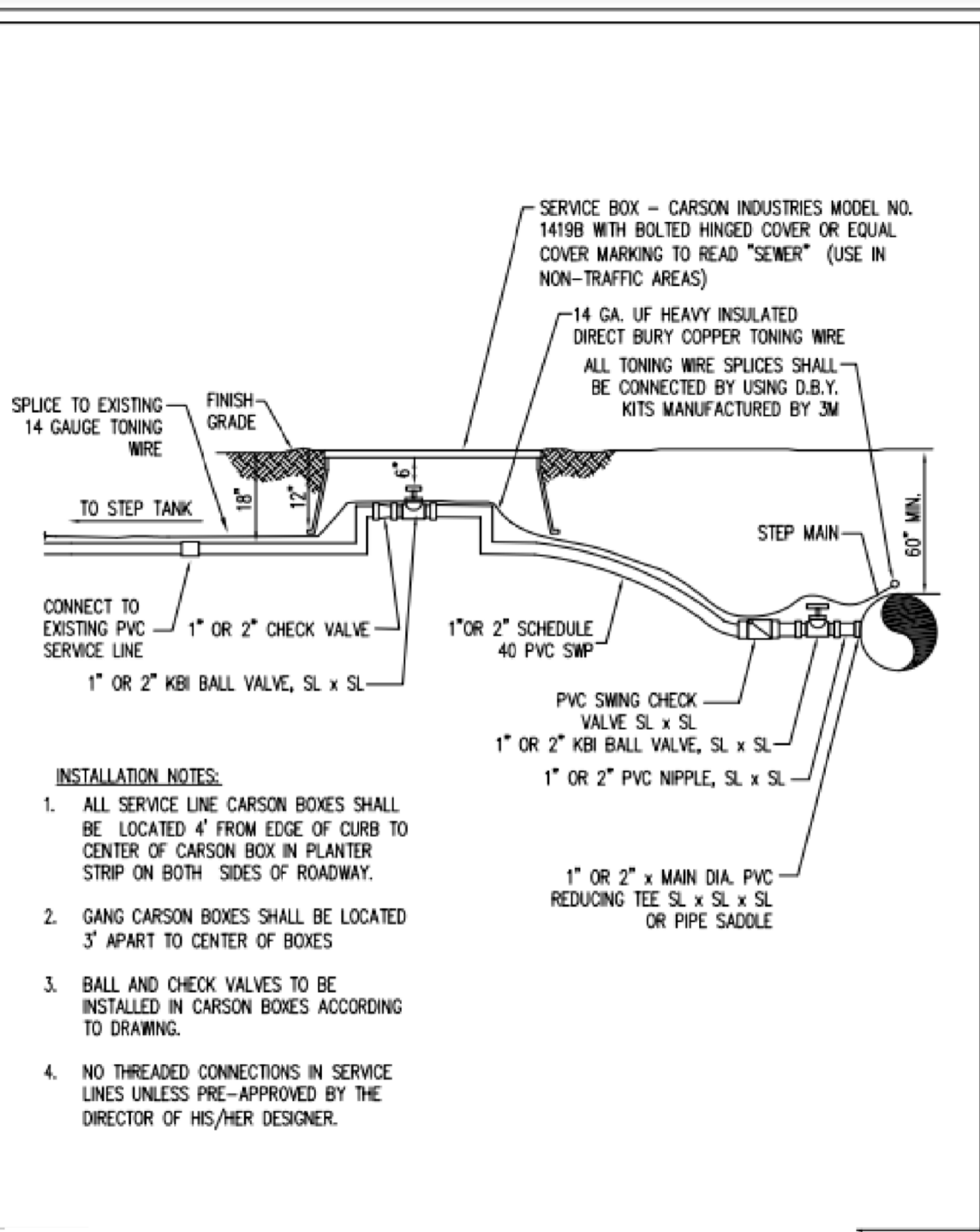
TYPICAL PUMP CONTROL PANEL INSTALLATION ON EXISTING HOUSE

DWG. NO. 5-5



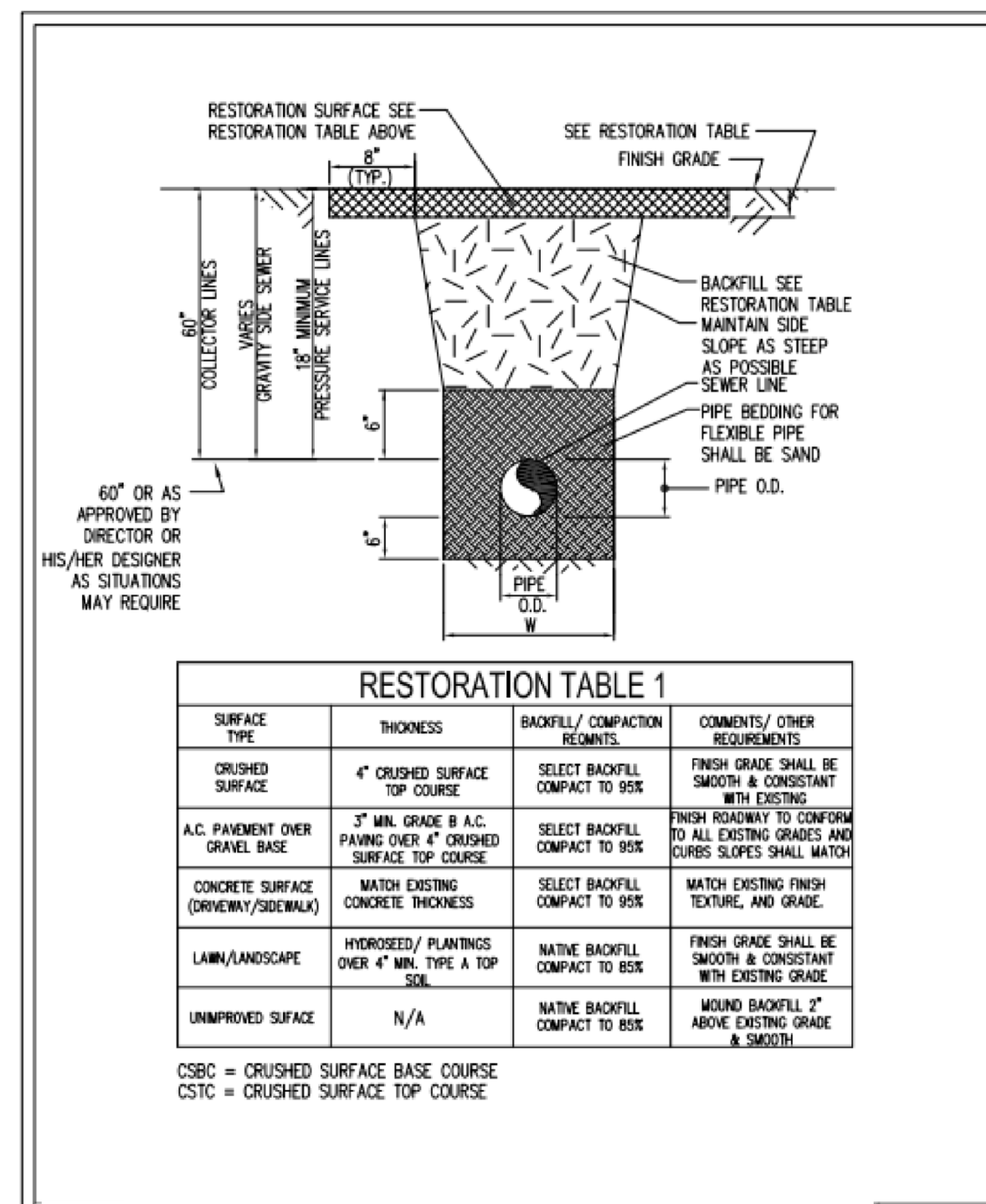
1,250 GALLON - 1,500 GALLON CONCRETE STEP TANKS

DWG. NO. 5-10



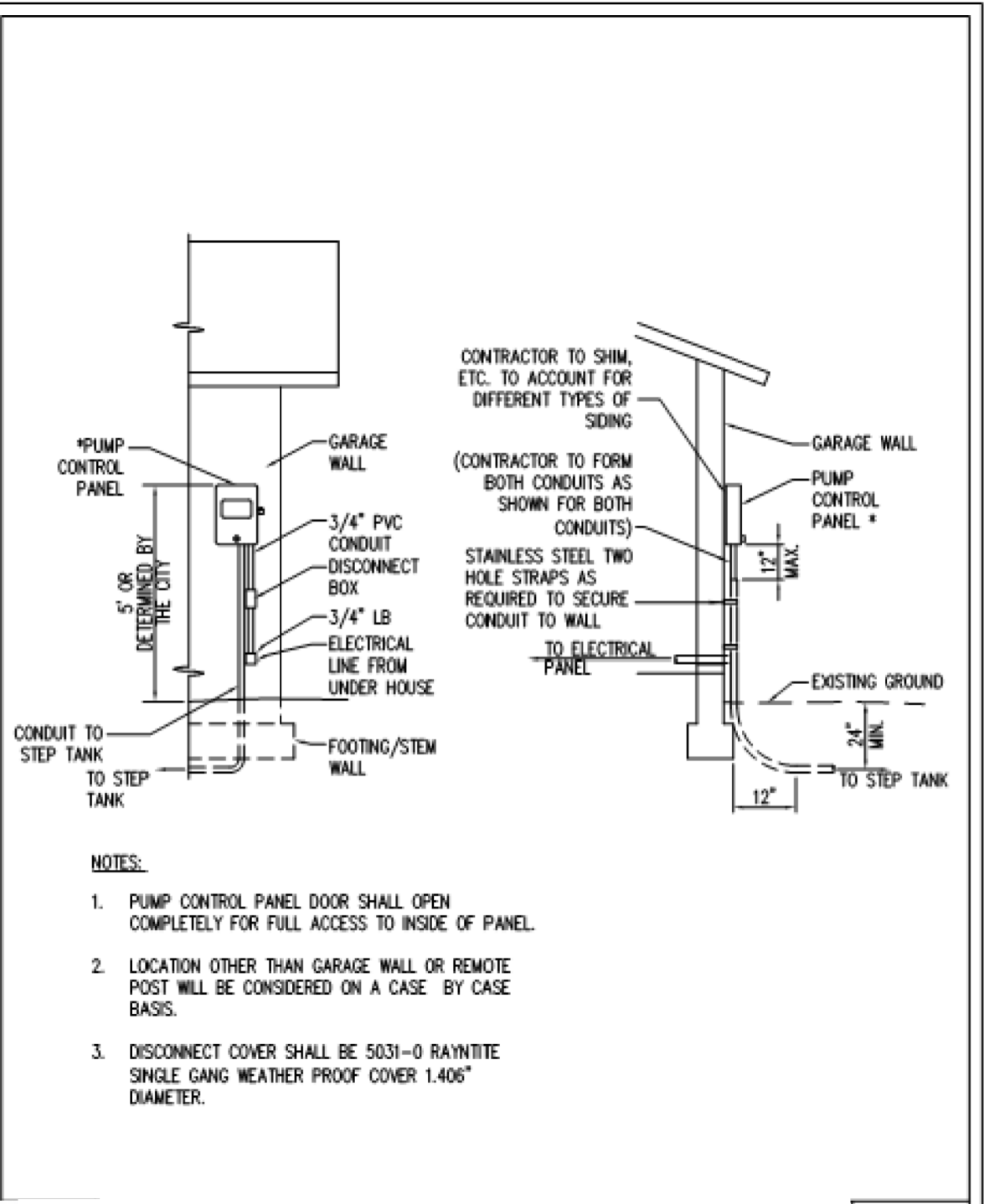
TYPICAL 1" AND 2" SERVICE CONNECTIONS

DWG. NO. 5-1



TYPICAL PIPE TRENCH

DWG. NO. 5-3



TYPICAL PUMP CONTROL PANEL INSTALLATION ON EXISTING HOUSE

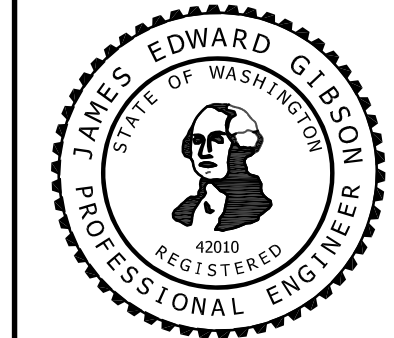
DWG. NO. 5-5

CALL BEFORE YOU DIG:
 THE CONTRACTOR SHALL BE FULLY RESPONSIBLE FOR THE LOCATION AND PROTECTION OF ALL EXISTING UTILITIES. THE CONTRACTOR SHALL VERIFY ALL UTILITY LOCATIONS PRIOR TO CONSTRUCTION BY CALLING THE UNDERGROUND LOCATE LINE 811 OR 1-800-424-5555 A MINIMUM OF 48 HOURS PRIOR TO ANY EXCAVATION.

HORIZONTAL DATUM:
 HORIZONTAL - WASHINGTON STATE PLANE COORDINATES, SOUTH ZONE, NAD 83/2011 BASED ON GPS TIES TO CONTROL AND POST PROCESSED THROUGH OPUS SOLUTION.

VERTICAL DATUM:
 VERTICAL - NAVD 88 BASED ON GPS TIES TO CONTROL AND POST PROCESSED THROUGH OPUS SOLUTION.

UTILITY NOTE:
 UTILITIES SHOWN HEREON ARE FROM FIELD MAPPING VISIBLE SURFACE APPURTENANCES, AND MAPPING UTILITY PAINT MARKS FROM A UTILITY LOCATING SERVICE. BURIED UTILITIES ARE ONLY SHOWN AS APPROXIMATE AND SHOULD BE VERIFIED BEFORE CONSTRUCTION.



SCALE: N/A
 DATE: 7/15/2022
 JOB NUMBER: 1010.04
 FILE NUMBER: 8 DT-03

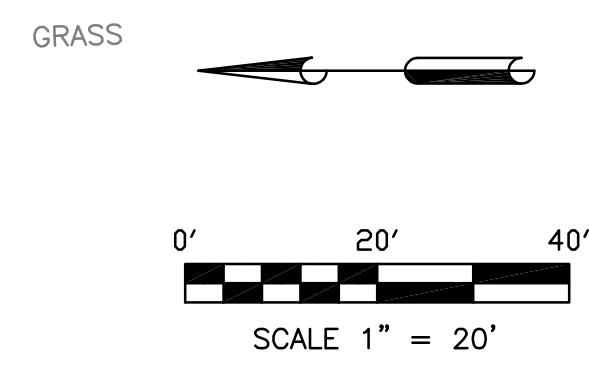
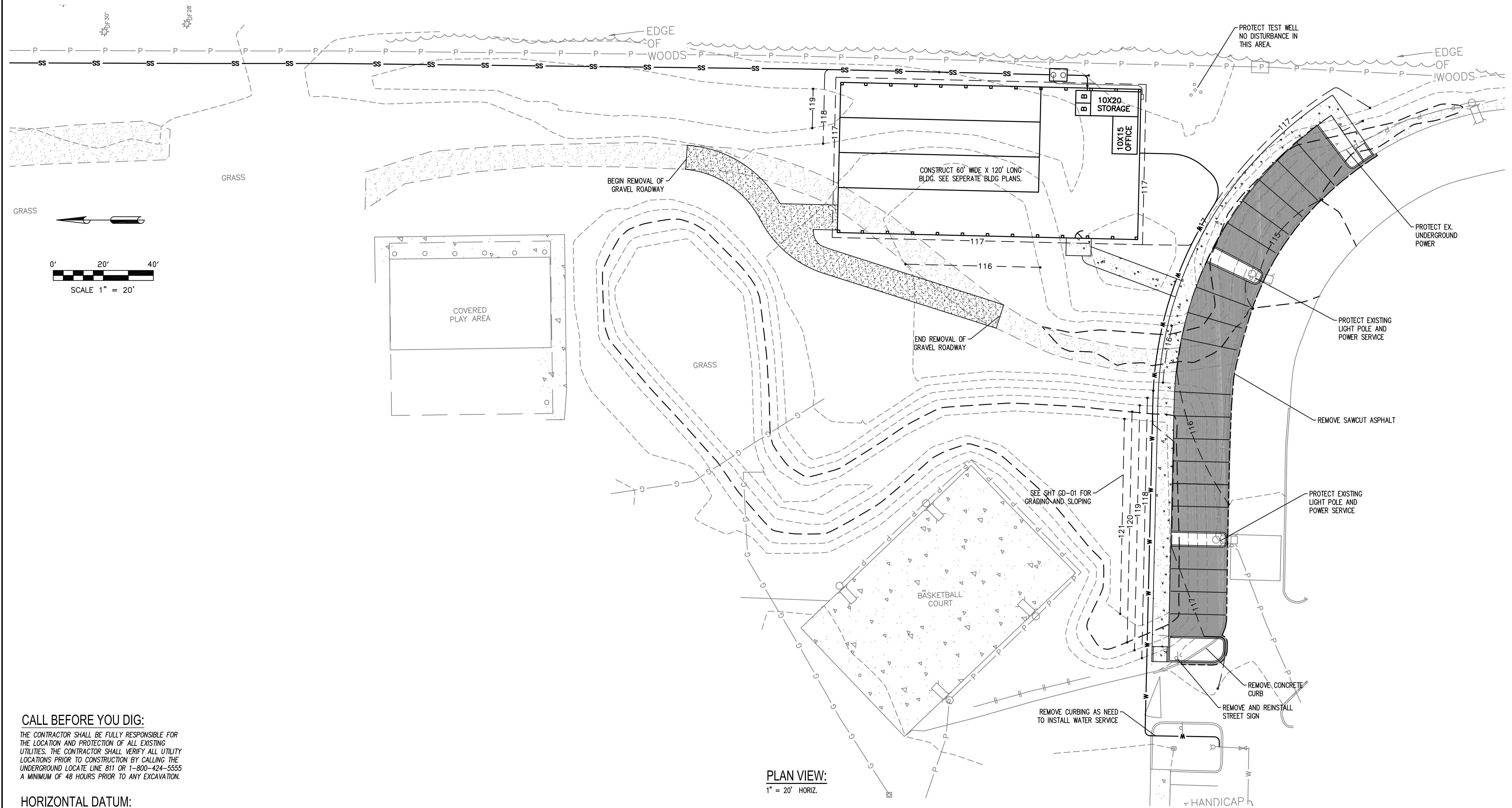
DETAIL SHEET
 BASEBALL BATTING CAGES
 CHEHALIS TRIBES PLANNING DEPT
 402 HOWANUT RD
 OAKVILLE, WA 98568
 360.709.1813

JACOBSON
 ENGINEERING AND CONSULTING
 Personalized Engineering Services
 PO BOX 178 TENINO, WA 98589 360.951.1454 (C)

DRAWING NO: DT-03
 SHEET NO: 8 of 10

Jul 26, 2022 11:05:46am - User: jmg
 C:\E_GIBSON\CONSULTING\PROJECTS\1010 CHEHALIS PLANNING DEPARTMENT\04 BATTING CAGES\CADD\8 DT-03.DWG

SEC. 03, T15N., R4W, W.M.



PLAN VIEW:
1" = 20' HORIZ.

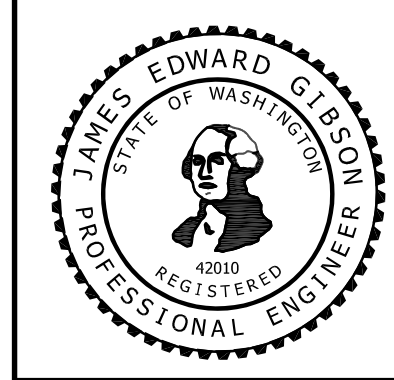
CALL BEFORE YOU DIG:
THE CONTRACTOR SHALL BE FULLY RESPONSIBLE FOR THE LOCATION AND PROTECTION OF ALL EXISTING UTILITIES. THE CONTRACTOR SHALL VERIFY ALL UTILITY LOCATIONS PRIOR TO CONSTRUCTION BY CALLING THE UNDERGROUND LOCATE LINE 811 OR 1-800-424-5555 A MINIMUM OF 48 HOURS PRIOR TO ANY EXCAVATION.

HORIZONTAL DATUM:
HORIZONTAL - WASHINGTON STATE PLANE COORDINATES, SOUTH ZONE, NAD 83/2011 BASED ON GPS TIES TO CONTROL AND POST PROCESSED THROUGH OPUS SOLUTION.

VERTICAL DATUM:
VERTICAL - NAVD 88 BASED ON GPS TIES TO CONTROL AND POST PROCESSED THROUGH OPUS SOLUTION.

UTILITY NOTE:
UTILITIES SHOWN HEREON ARE FROM FIELD MAPPING VISIBLE SURFACE APPURTENANCES, AND MAPPING UTILITY PAINT MARKS FROM A UTILITY LOCATING SERVICE. BURIED UTILITIES ARE ONLY SHOWN AS APPROXIMATE AND SHOULD BE VERIFIED BEFORE CONSTRUCTION.

REVISIONS	DATE	BY
1		
2		
3		
4		
5		



SCALE: 1" = 20'
DATE: 7/15/2022
JOB NUMBER: 1010.04
FILE NUMBER: 9 EC-01

TESC AND DEMOLITION PLAN
BASEBALL BATTING CAGES

CHEHALIS TRIBES PLANNING DEPT
402 HOWANUT RD
OAKVILLE, WA 98568
360.709.1813

JEBSON
ENGINEERING AND CONSULTING
Personalized Engineering Services
PO BOX 178 TENINO, WA 98589 360.951.1454 (C)

DRAWING NO: EC-01
SHEET NO: 9 OF 10

Aug 05, 2022 9:32:33am - User: jgibson
C:\J.E. GIBSON CONSULTING\PROJECTS\1010 CHEHALIS PLANNING DEPARTMENT\04 BATTING CAGES\CADD\9 EC-01.DWG

SEC. 03, T15N., R4W, W.M.

EROSION CONTROL NOTES:

SILT FENCE:

1. FILTER FABRIC SHALL BE PURCHASED IN A CONTINUOUS ROLL CUT TO THE LENGTH OF THE BARRIER TO AVOID USE OF JOINTS. WHEN JOINTS ARE NECESSARY, FILTER CLOTH SHALL BE SPLICED TOGETHER ONLY AT A SUPPORT POST, WITH A MINIMUM 6-INCH OVERLAP, AND SECURELY FASTENED AT BOTH ENDS TO POST.
2. POSTS SHALL BE SPACED A MAXIMUM OF 6 FEET APART AND DRIVEN SECURELY INTO THE GROUND (MINIMUM OF 30 INCHES).
3. A TRENCH SHALL BE EXCAVATED APPROXIMATELY 8 INCHES WIDE AND 12 INCHES DEEP ALONG THE LINE OF POSTS AND UPSLOPE FROM THE BARRIER.
4. WHEN STANDARD STRENGTH FILTER FABRIC IS USED, A WIRE MESH SUPPORT FENCE SHALL BE FASTENED SECURELY TO THE UPSLOPE SIDE OF THE POSTS USING HEAVY-DUTY WIRE STAPLES AT LEAST 1 INCH LONG, TIE WIRES OR HOG RINGS. THE WIRE SHALL EXTEND INTO THE TRENCH A MINIMUM OF 4 INCHES AND SHALL NOT EXTEND MORE THAN 36 INCHES ABOVE THE ORIGINAL GROUND SURFACE.
5. THE STANDARD STRENGTH FILTER FABRIC SHALL BE STAPLED OR WIRED TO THE FENCE, AND 20 INCHES OF THE FABRIC SHALL BE EXTENDED INTO THE TRENCH. THE FABRIC SHALL NOT EXTEND MORE THAN 36 INCHES ABOVE THE ORIGINAL GROUND SURFACE. FILTER FABRIC SHALL NOT BE STAPLED TO EXISTING TREES.
6. WHEN EXTRA-STRENGTH FILTER FABRIC AND CLOSER POST SPACING IS USED, THE WIRE MESH SUPPORT FENCE MAY BE ELIMINATED. IN SUCH A CASE, THE FILTER FABRIC IS STAPLED OR WIRED DIRECTLY TO THE POSTS WITH ALL OTHER PROVISIONS OF ABOVE NOTES APPLYING.
7. FILTER FABRIC FENCES SHALL NOT BE REMOVED BEFORE THE UPSLOPE AREA HAS BEEN PERMANENTLY STABILIZED.
8. FILTER FABRIC FENCES SHALL BE INSPECTED IMMEDIATELY AFTER EACH RAINFALL AND AT LEAST DAILY DURING PROLONGED RAINFALL. ANY REQUIRED REPAIRS SHALL BE MADE IMMEDIATELY.

EROSION CONTROL BLANKETS:

1. WHERE SOIL IS HIGHLY ERODIBLE, NET SHALL ONLY BE USED IN CONJUNCTION WITH AN ORGANIC MULCH SUCH AS STRAW AND WOOD FIBER.
2. JUTE NET SHALL BE HEAVY, UNIFORM CLOTH WOVEN OF SINGLE JUTE YARN, WHICH IF 36 TO 48 INCHES WIDE SHALL WEIGH AN AVERAGE OF 1.2 LBS/LINEAR YARD. IT MUST BE SO APPLIED THAT IT IS IN COMPLETE CONTACT WITH THE SOIL.
3. NETTING SHALL BE SECURELY ANCHORED TO THE SOIL WITH NO. 11 GAUGE WIRE STAPLES AT LEAST 6 INCHES LONG.

TEMPORARY DIKES AND SWALES:

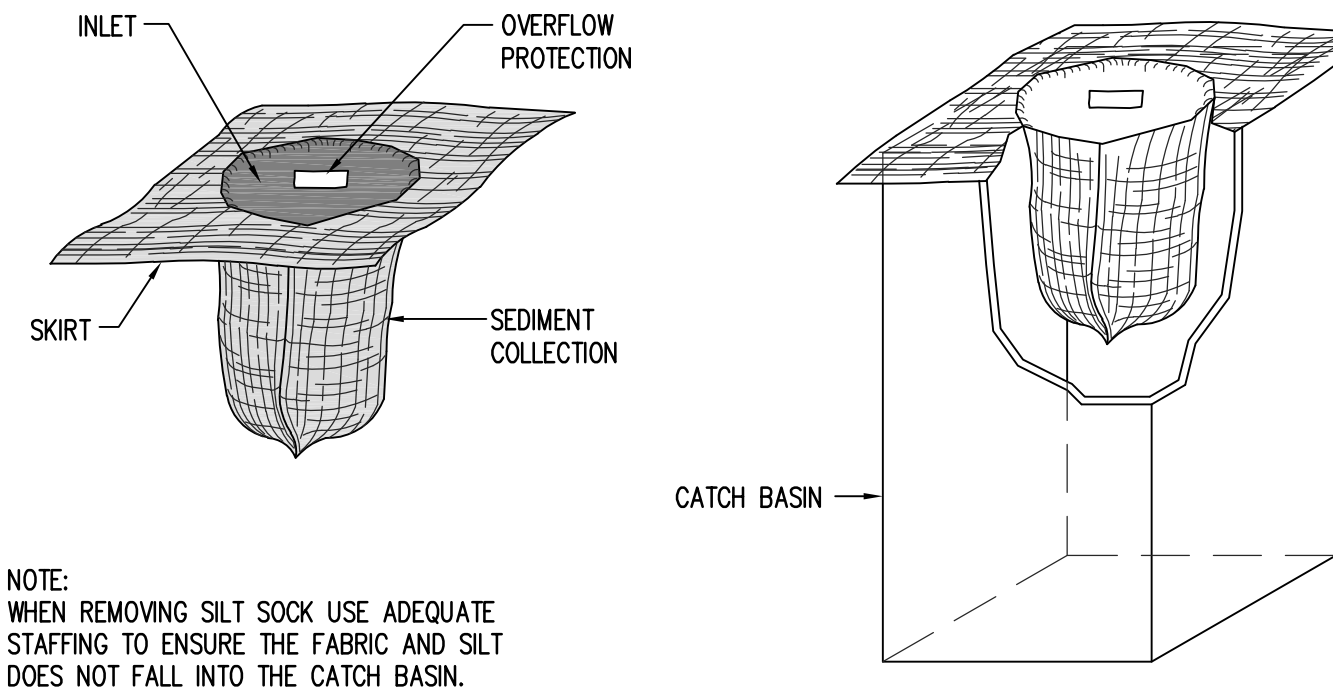
1. SEED AND MULCH SHALL BE APPLIED WITHIN 5 DAYS OF DIKE CONSTRUCTION (SEE VEGETATION).
2. THE UPSLOPE SIDE OF THE DIKE SHALL PROVIDE POSITIVE DRAINAGE TO THE DIKE OUTLET.
3. NO EROSION SHALL OCCUR AT THE DIKE OUTLET. PROVIDE ENERGY DISSIPATION MEASURES AS NECESSARY.
4. SEDIMENT LADEN RUNOFF MUST BE RELEASED THROUGH A SEDIMENT TRAPPING FACILITY SUCH AS A POND, TRAP, OR SILT FENCE AS APPROPRIATE TO DRAINAGE AREA SIZE.

CHECK DAMS:

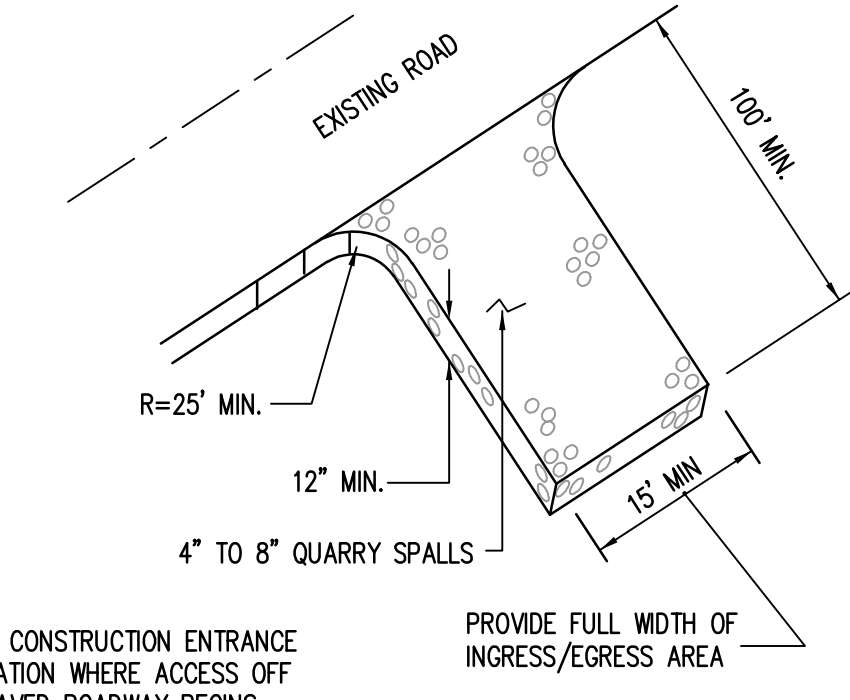
1. THE MAXIMUM SPACING BETWEEN THE DAMS SHALL BE SUCH THAT THE TOE OF THE UPSTREAM DAM IS AT THE SAME ELEVATION AS THE TOP OF THE DOWNSTREAM DAM.
2. ROCK CHECK DAMS SHALL BE CONSTRUCTED OF 2- TO 4-INCH DIAMETER ROCK. THE ROCK MUST BE PLACED BY HAND OR MECHANICAL PLACEMENT (NO DUMPING OF ROCK TO FORM DAM) TO ACHIEVE COMPLETE COVERAGE OF THE DITCH OR SWALE AND TO INSURE THAT THE CENTER OF THE DAM IS LOWER THAN THE EDGES.
3. LOG CHECK DAMS SHALL BE CONSTRUCTED OF 4- TO 6-INCH DIAMETER LOGS. THE LOGS SHALL BE EMBEDDED INTO THE SOIL AT LEAST 18 INCHES.
4. IN THE CASE OF GRASS-LINED DITCHES AND SWALES, CHECK DAMS SHALL BE REMOVED WHEN THE GRASS HAS MATURED SUFFICIENTLY TO PROTECT THE DITCH OR SWALE. THE AREA BENEATH THE CHECK DAMS SHALL BE SEEDED AND MULCHED IMMEDIATELY AFTER DAM REMOVAL.
5. CHECK DAMS SHALL BE CHECKED FOR SEDIMENT ACCUMULATION AFTER EACH SIGNIFICANT RAINFALL. SEDIMENT SHALL BE REMOVED WHEN IT REACHES ONE HALF OF THE ORIGINAL DAM HEIGHT OR BEFORE.

CONSTRUCTION ENTRANCES:

1. MATERIAL SHALL BE 4" TO 8" QUARRY SPALLS.
2. THE ROCK PAD SHALL BE AT LEAST 12 INCHES THICK AND 100 FEET LONG. WIDTH SHALL BE THE FULL WIDTH OF THE VEHICLE INGRESS AND EGRESS AREA.
3. ADDITIONAL ROCK SHALL BE ADDED PERIODICALLY TO MAINTAIN PROPER FUNCTION OF THE PAD.
4. IF THE PAD DOES NOT ADEQUATELY REMOVE THE MUD FROM THE VEHICLE WHEELS, THE WHEELS SHALL BE HOSED OFF BEFORE THE VEHICLE ENTERS A PAVED STREET. THE WASHING SHALL BE DONE ON AN AREA COVERED WITH CRUSHED ROCK AND WASH WATER SHALL DRAIN TO A SEDIMENT RETENTION FACILITY OR THROUGH SILT FENCE.

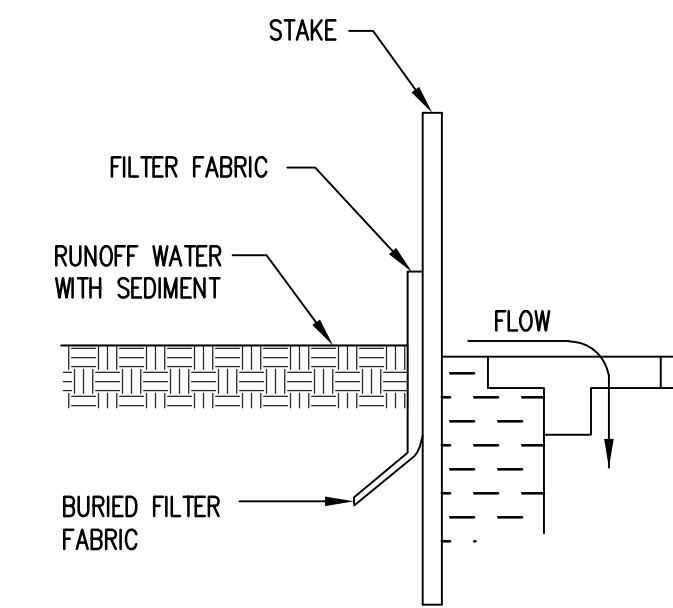
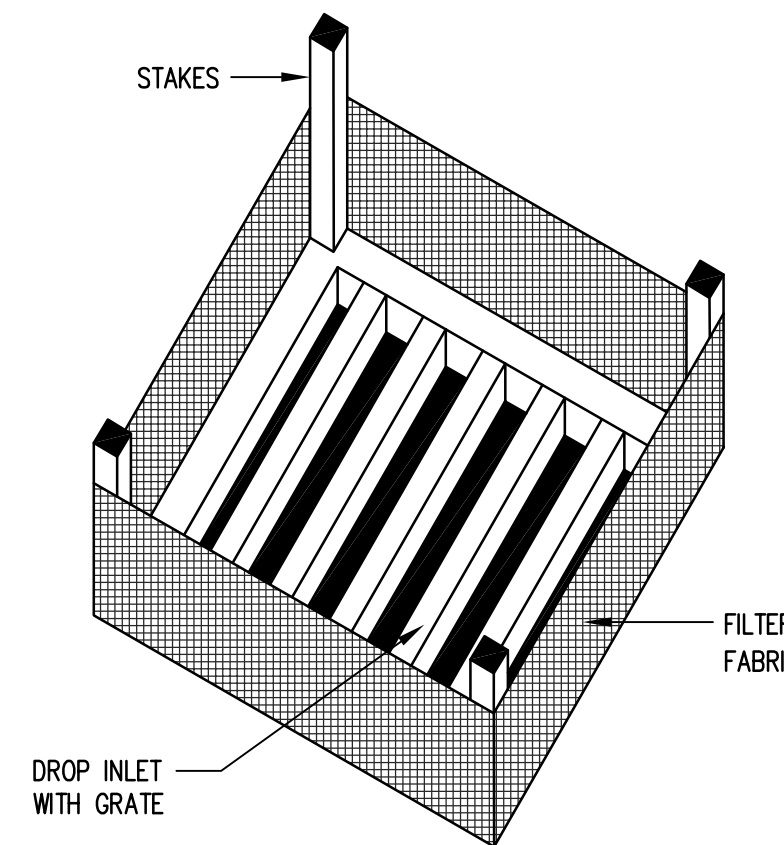


SILT SOCK DETAIL
NTS

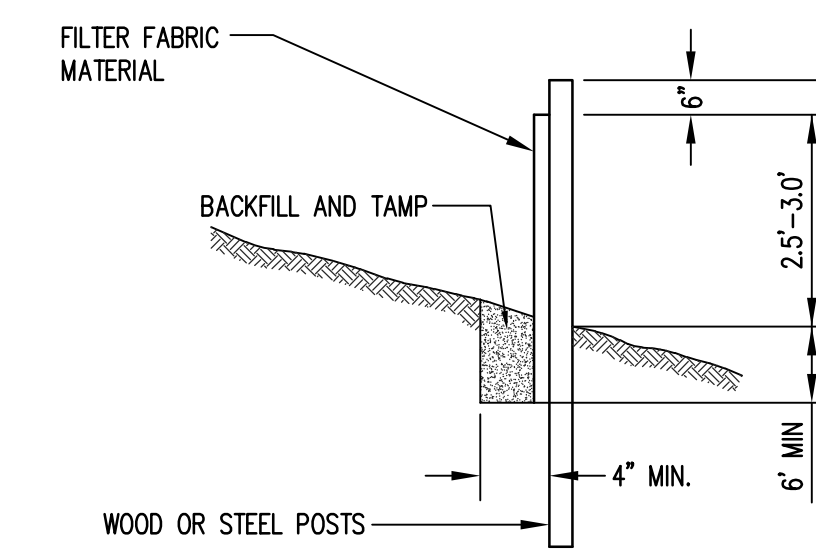
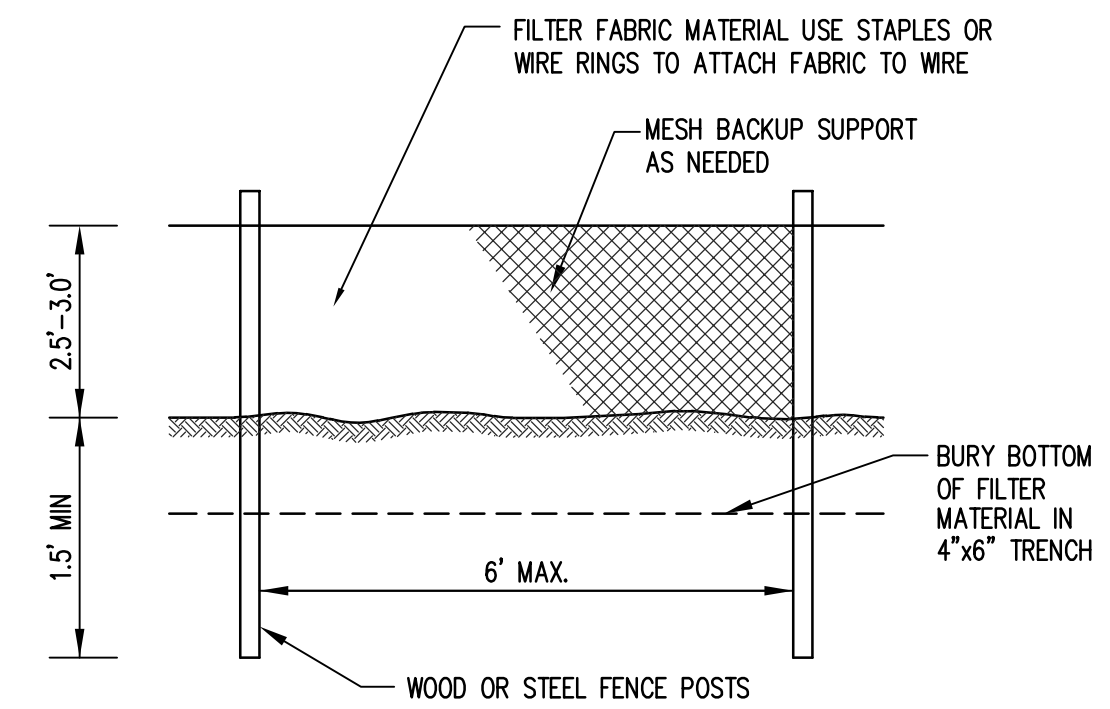


CONSTRUCTION ENTRANCE
NTS

CONSTRUCTION ENTRANCE NOTE:
FOR THIS PROJECT IT IS INTENDED TO USE THE EXISTING GRAVEL ROADWAY AS A CONSTRUCTION ENTRANCE IN PLACE OF INSTALLING A NEW QUARRY SPALL ENTRANCE. IF WEATHER REQUIRES, A NEW CONSTRUCTION ENTRANCE WILL BE REQUIRED.



FILTER FABRIC FENCE INLET FILTER
NTS



TEMPORARY SILT FENCE
NTS

CALL BEFORE YOU DIG:

THE CONTRACTOR SHALL BE FULLY RESPONSIBLE FOR THE LOCATION AND PROTECTION OF ALL EXISTING UTILITIES. THE CONTRACTOR SHALL VERIFY ALL UTILITY LOCATIONS PRIOR TO CONSTRUCTION BY CALLING THE UNDERGROUND LOCATE LINE 811 OR 1-800-424-5555 A MINIMUM OF 48 HOURS PRIOR TO ANY EXCAVATION.

HORIZONTAL DATUM:

HORIZONTAL - WASHINGTON STATE PLANE COORDINATES, SOUTH ZONE, NAD 83/2011 BASED ON GPS TIES TO CONTROL AND POST PROCESSED THROUGH OPUS SOLUTION.

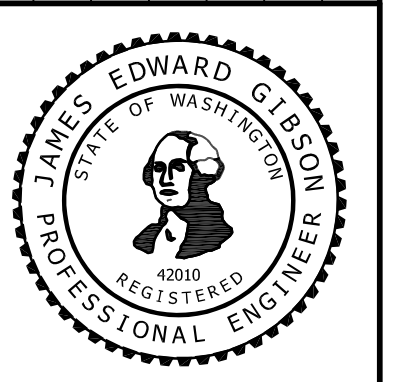
VERTICAL DATUM:

VERTICAL - NAVD 88 BASED ON GPS TIES TO CONTROL AND POST PROCESSED THROUGH OPUS SOLUTION.

UTILITY NOTE:

UTILITIES SHOWN HEREON ARE FROM FIELD MAPPING VISIBLE SURFACE APPURTENANCES, AND MAPPING UTILITY PAINT MARKS FROM A UTILITY LOCATING SERVICE. BURIED UTILITIES ARE ONLY SHOWN AS APPROXIMATE AND SHOULD BE VERIFIED BEFORE CONSTRUCTION.

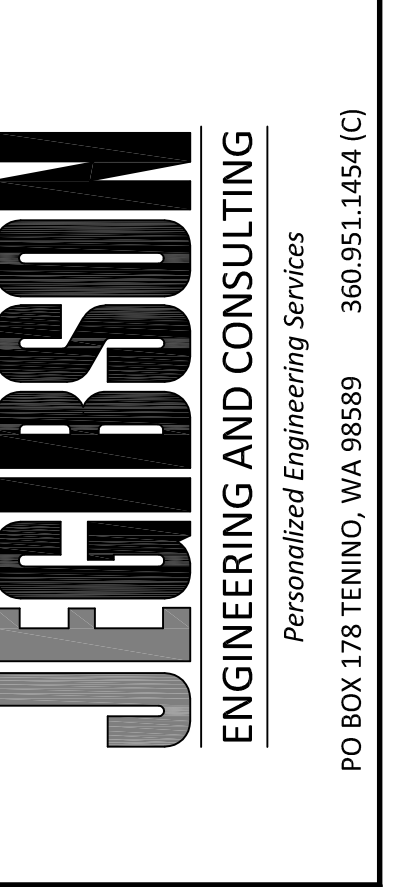
BY	
DATE	
REVISIONS	
1	
2	
3	
4	
5	



SCALE:	N/A
DATE:	7/15/2022
JOB NUMBER:	1010.04
FILE NUMBER:	10 EC-02

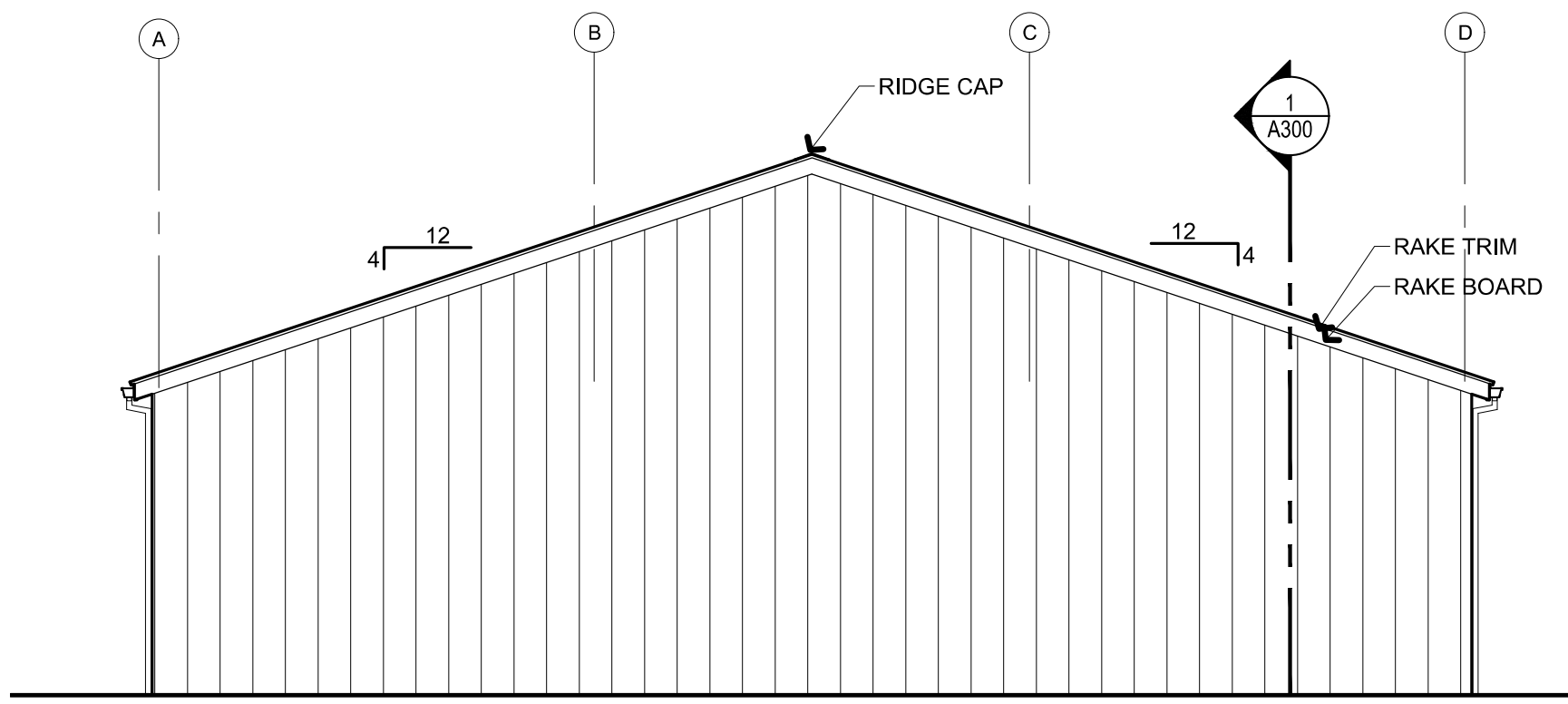
TESC AND DEMOLITION DETAIL SHEET
BASEBALL BATTING CAGES

CHEHALIS TRIBES PLANNING DEPT
402 HOWANUT RD
OAKVILLE, WA 98568
360.709.1813

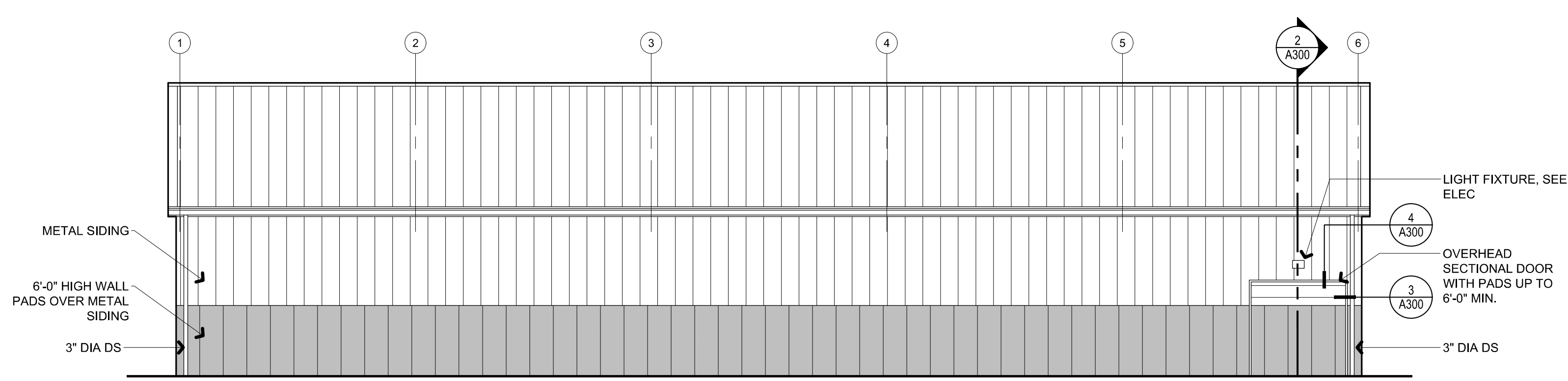


DRAWING NO:	EC-02
SHEET NO:	10 OF 10

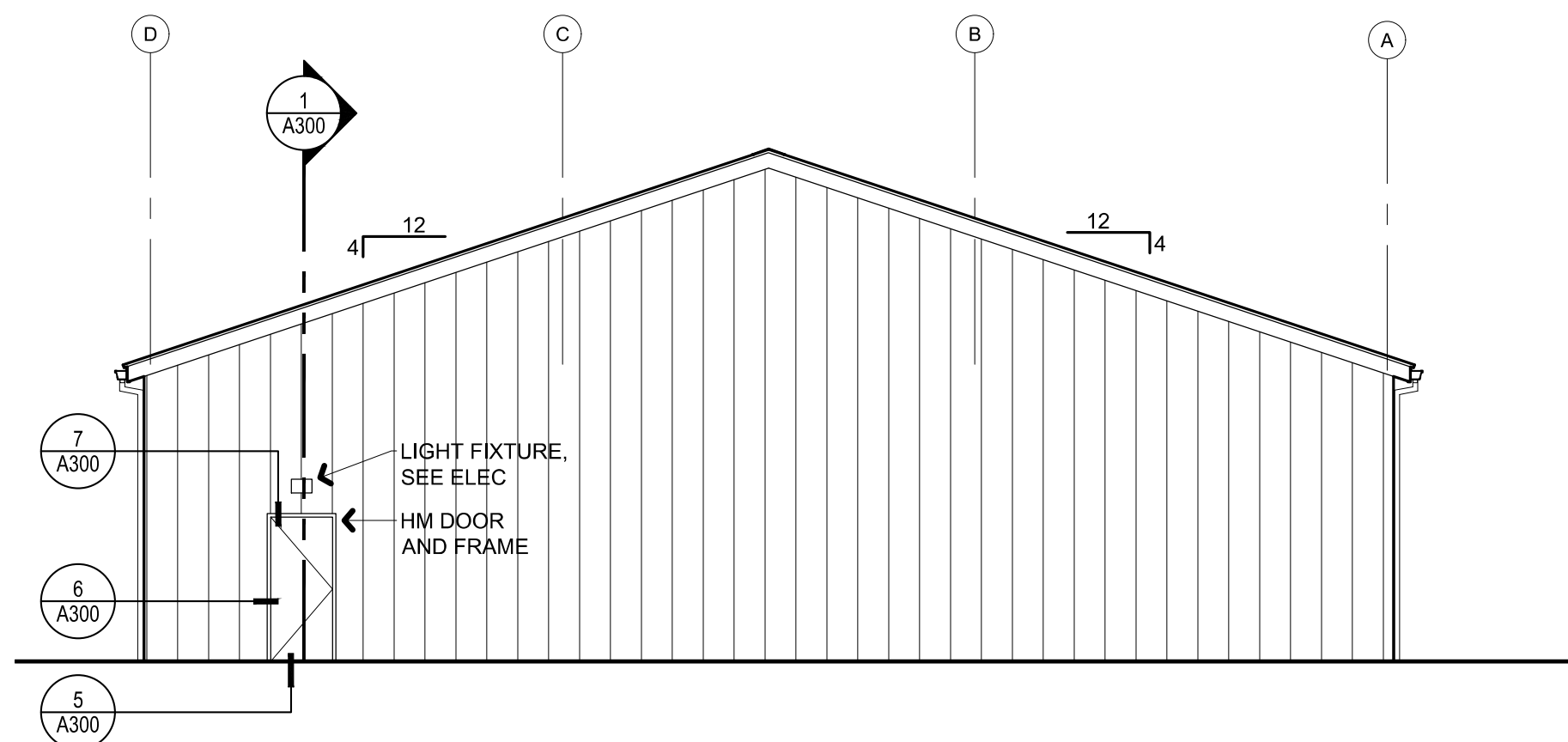
Jul 23, 2022 10:21:22am - User: jmgd
C:\E. GIBSON CONSULTING\PROJECTS\1010 CHEHALIS PLANNING DEPARTMENT\04 BATTING CAGES\CADD\10 EC-02.DWG



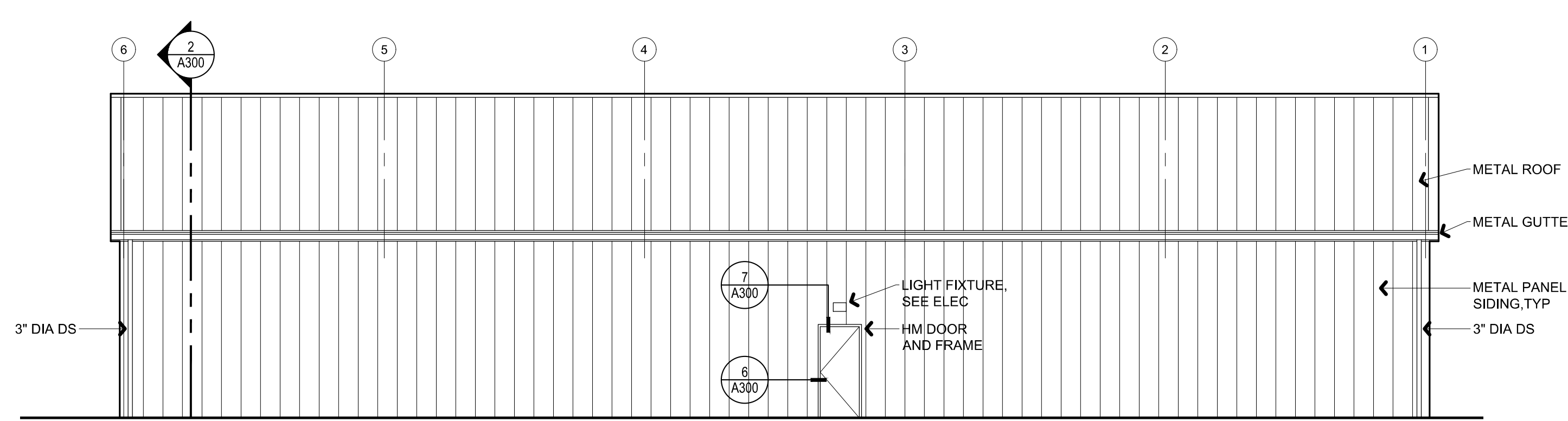
6 WEST ELEVATION
1/8" = 1'-0"



5 SOUTH ELEVATION
1/8" = 1'-0"



4 EAST ELEVATION
1/8" = 1'-0"

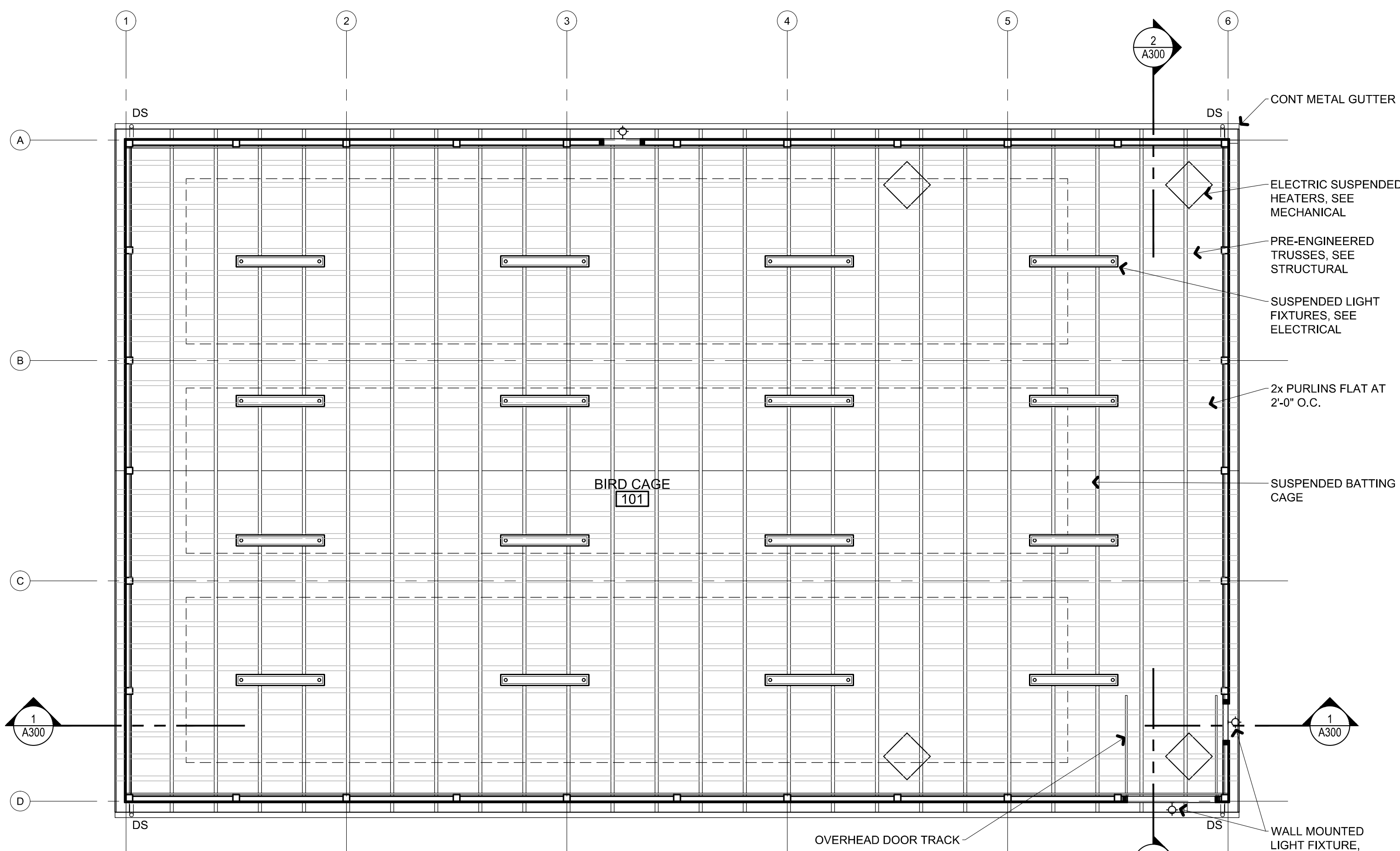


3 NORTH ELEVATION
1/8" = 1'-0"

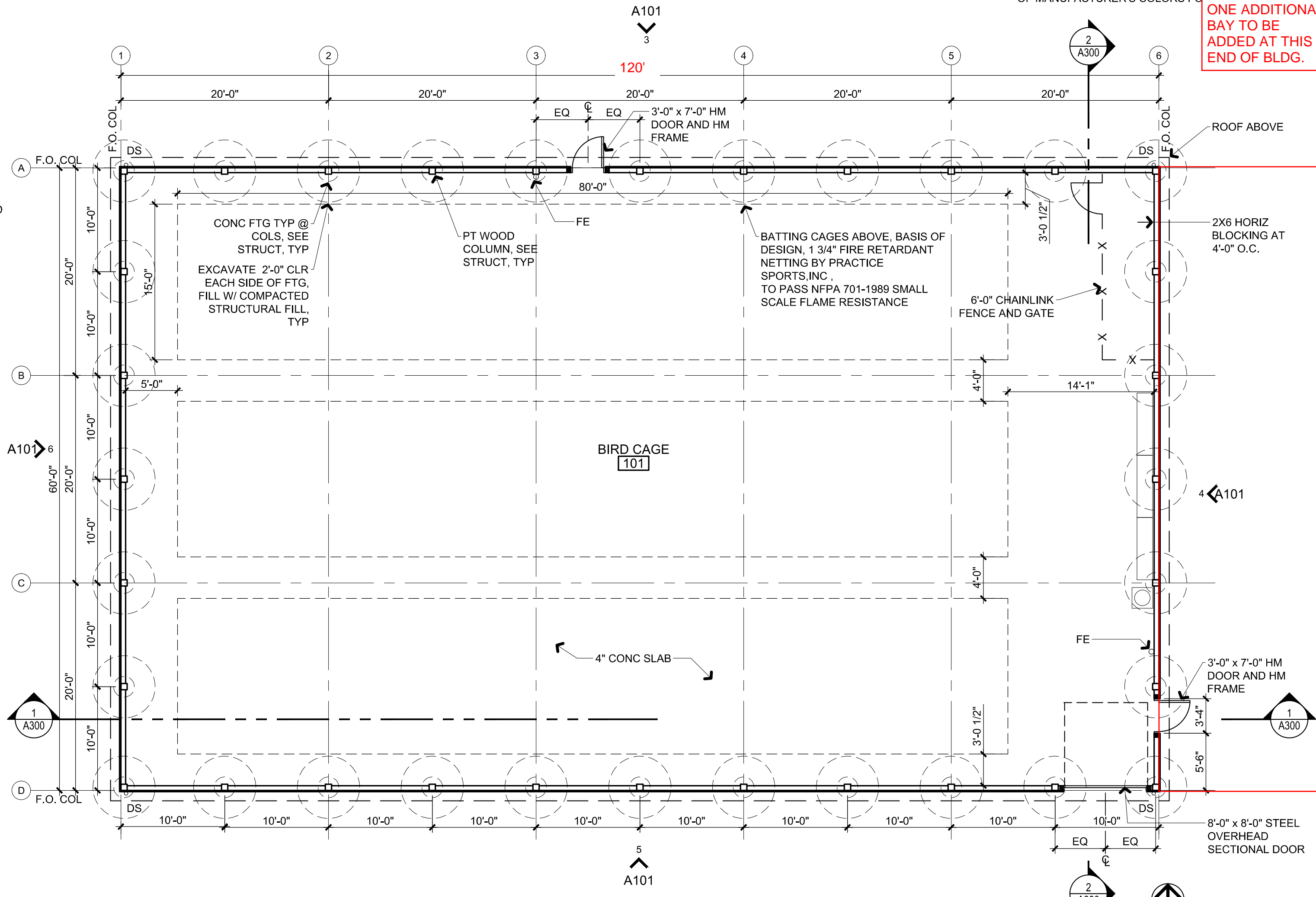
FLOOR PLAN NOTES:

1. ALL WALL DIMENSIONS ARE TAKEN TO FACE OF STUD, UNO.
2. CONTRACTOR SHALL VERIFY AND COORDINATE WALLS AND OTHER FRAMING THAT REQUIRE A NON-TYPICAL WALL THICKNESS DUE TO STRUCTURAL, ELECTRICAL, MECHANICAL, EQUIPMENT, OR OTHER REQUIREMENTS.
3. PROVIDE WOOD BACKING FOR ALL WALL MOUNTED FIXTURES AND EQUIPMENT. VERIFY ALL MOUNTING HEIGHTS AND SPECIAL STRUCTURAL SUPPORT REQUIREMENTS WITH EQUIPMENT MANUFACTURERS BEFORE INSTALLING BACKING AND SUPPORTS.
4. SEE STRUCTURAL DRAWINGS FOR ANCHORAGE AND REINFORCEMENT OF WALLS AND CONCRETE REINFORCING.
5. PROVIDE INTERIOR FINISHES PER BUILDING CODE AND OWNER'S REQUIREMENTS. PROVIDE ARCHITECT AND OWNER'S APPROVAL OF MANUFACTURER'S COLORS FOR FINISHES.

BUILDING TO BE 120'-0" LONG
ONE ADDITIONAL BAY TO BE ADDED AT THIS END OF BLDG.



2 REFLECTED CEILING PLAN
1/8" = 1'-0"

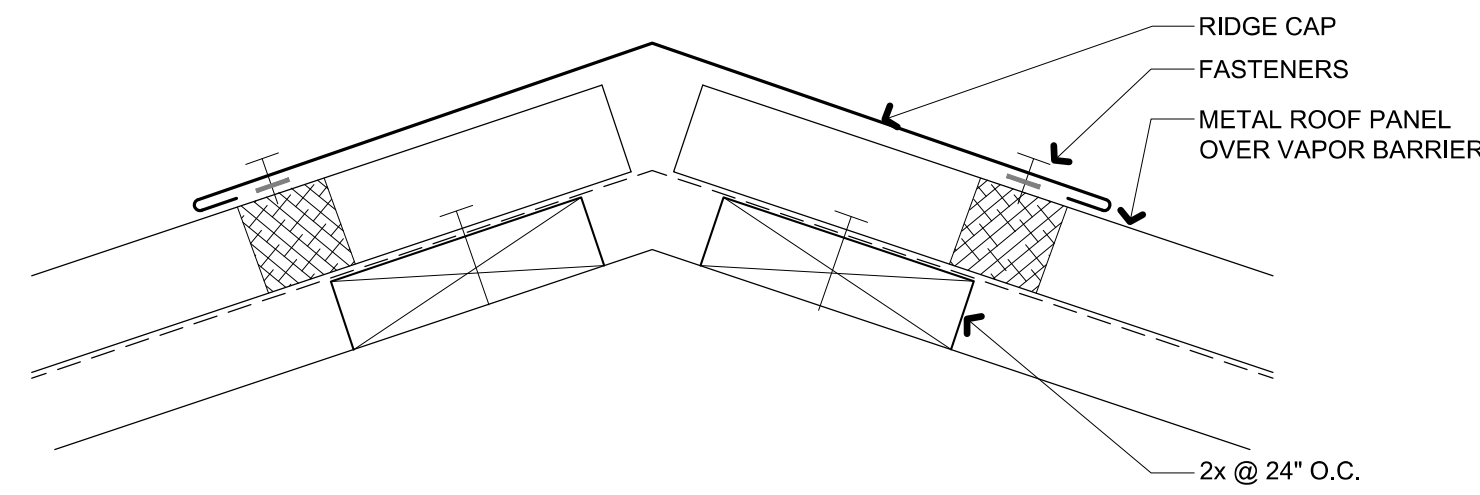


1 FLOOR PLAN
1/8" = 1'-0"

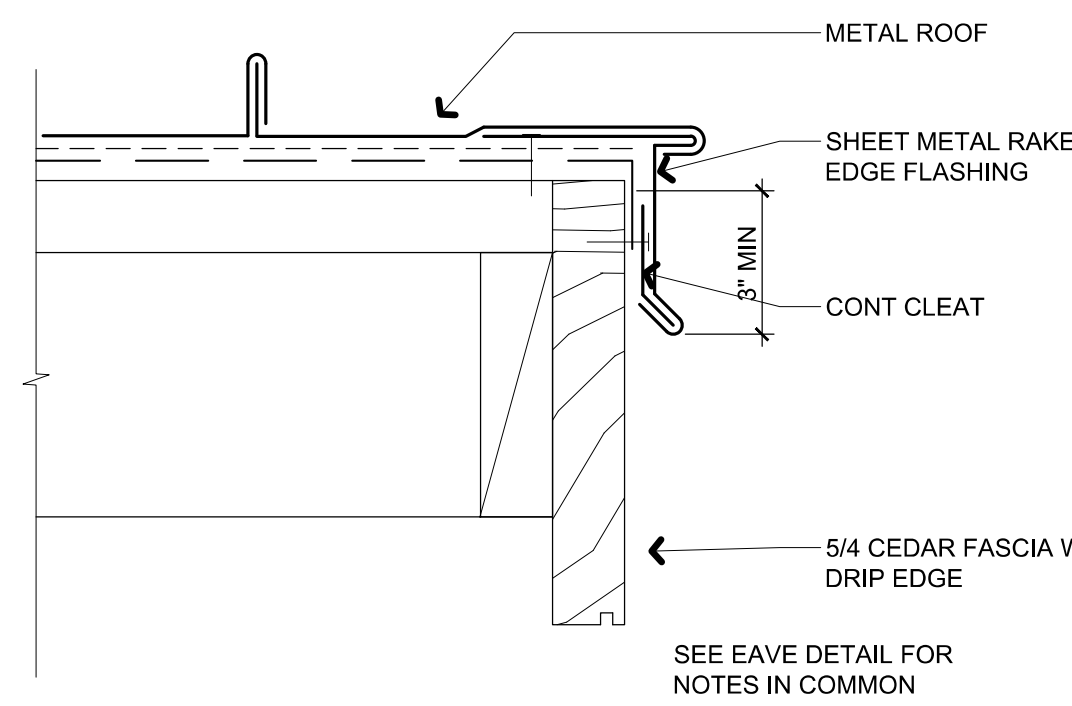
CHEHALIS TRIBE
BASEBALL BATting CAGES

PERMIT SET
PLANS AND ELEVATIONS

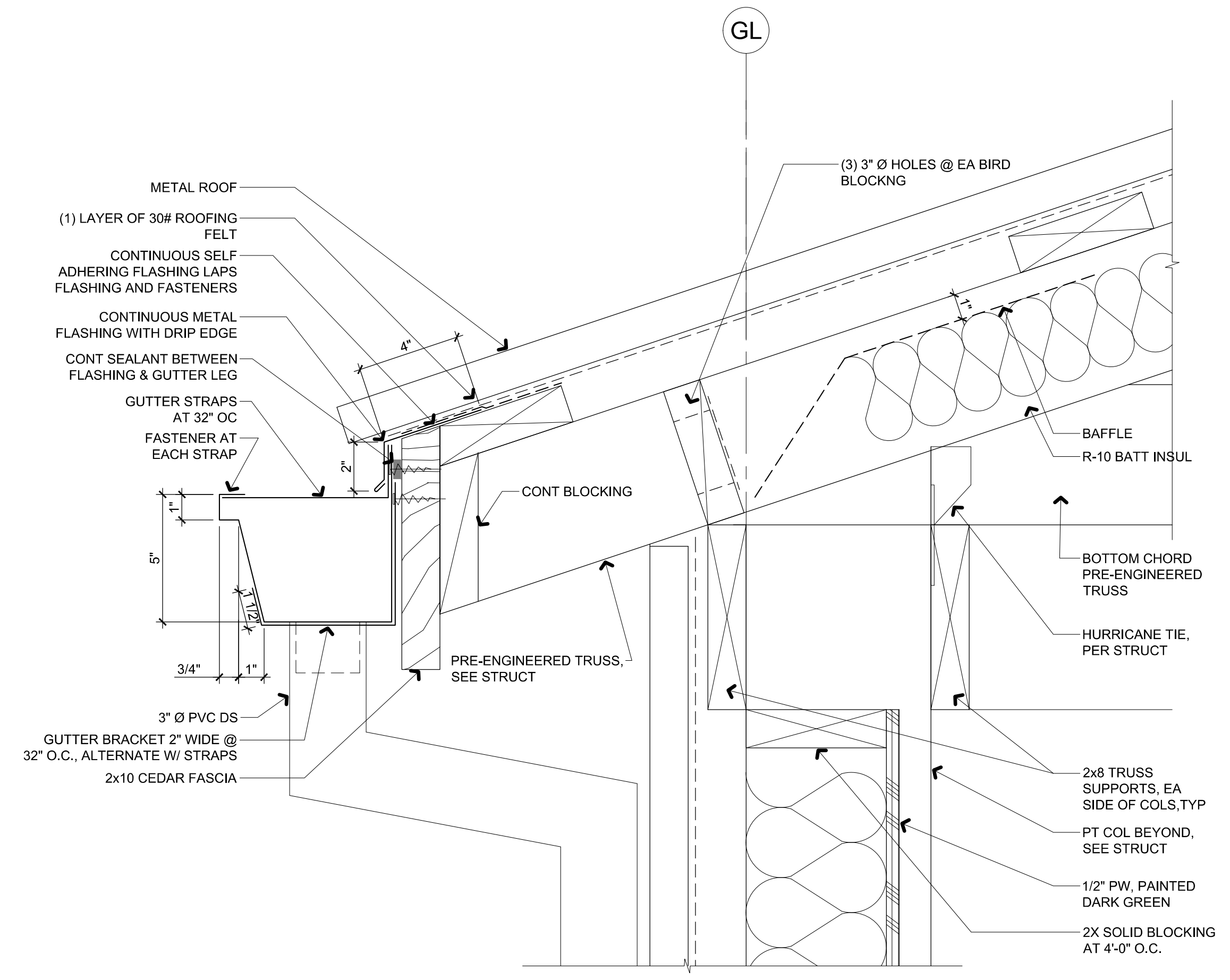
A101



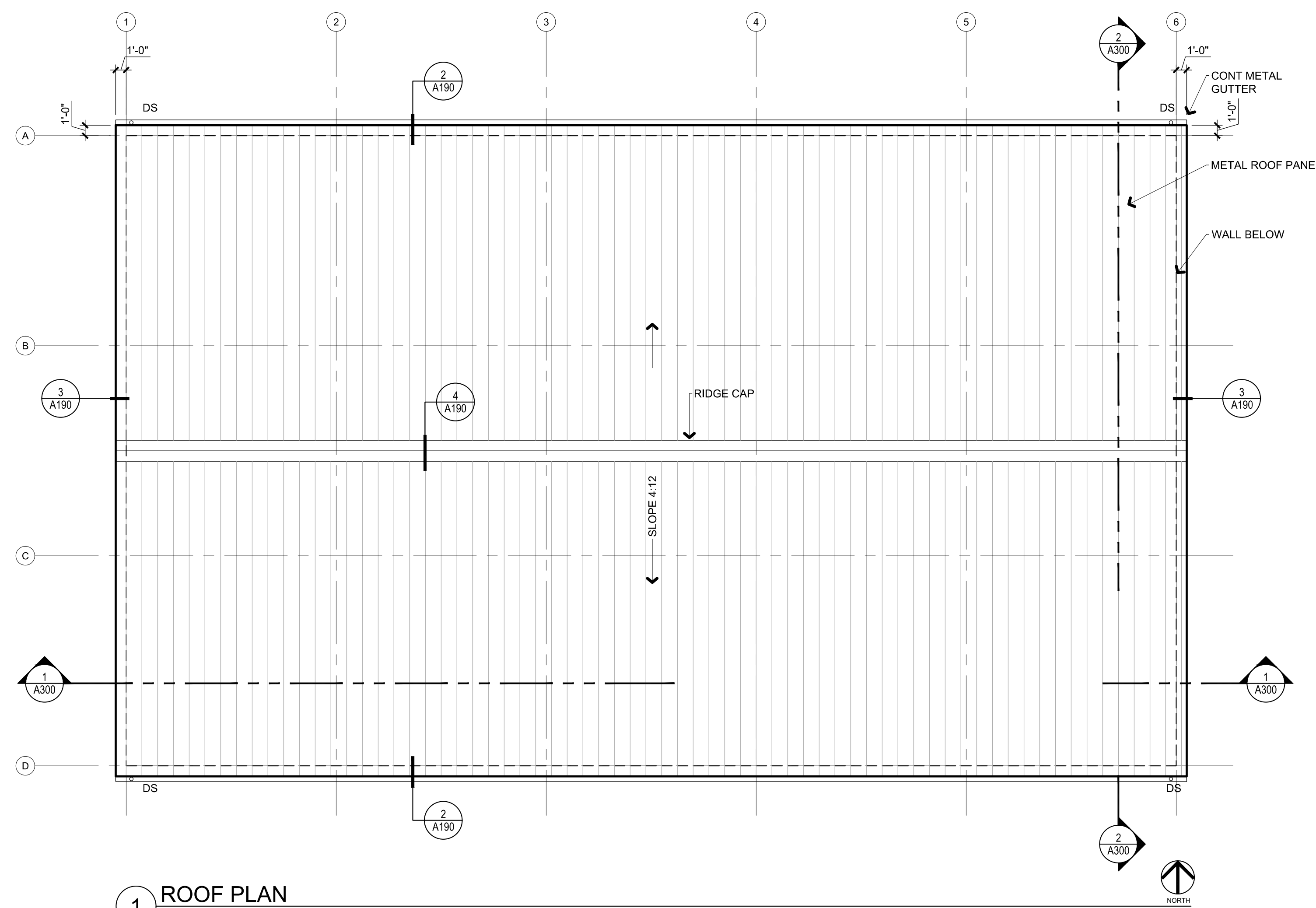
4 RIDGE CAP
3" = 1'-0"



3 RAKE DETAIL
3" = 1'-0"



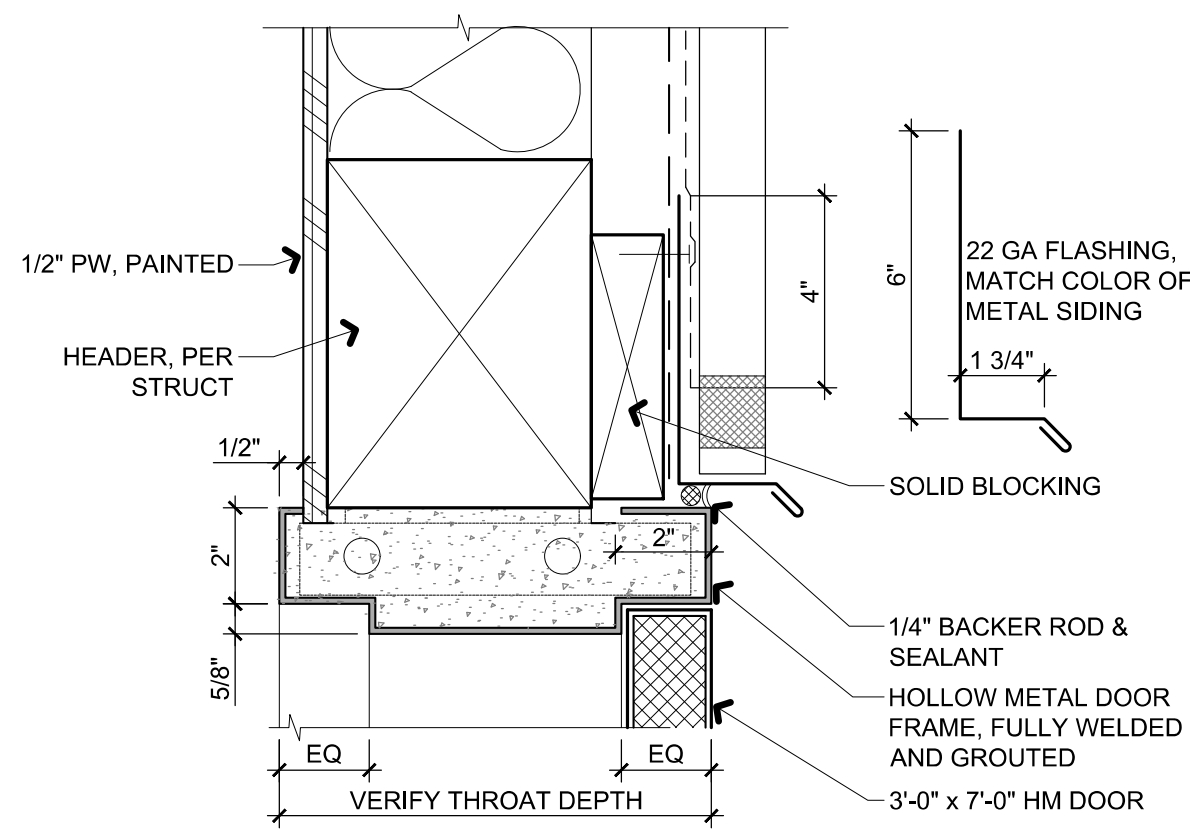
2 GUTTER DETAIL
3" = 1'-0"



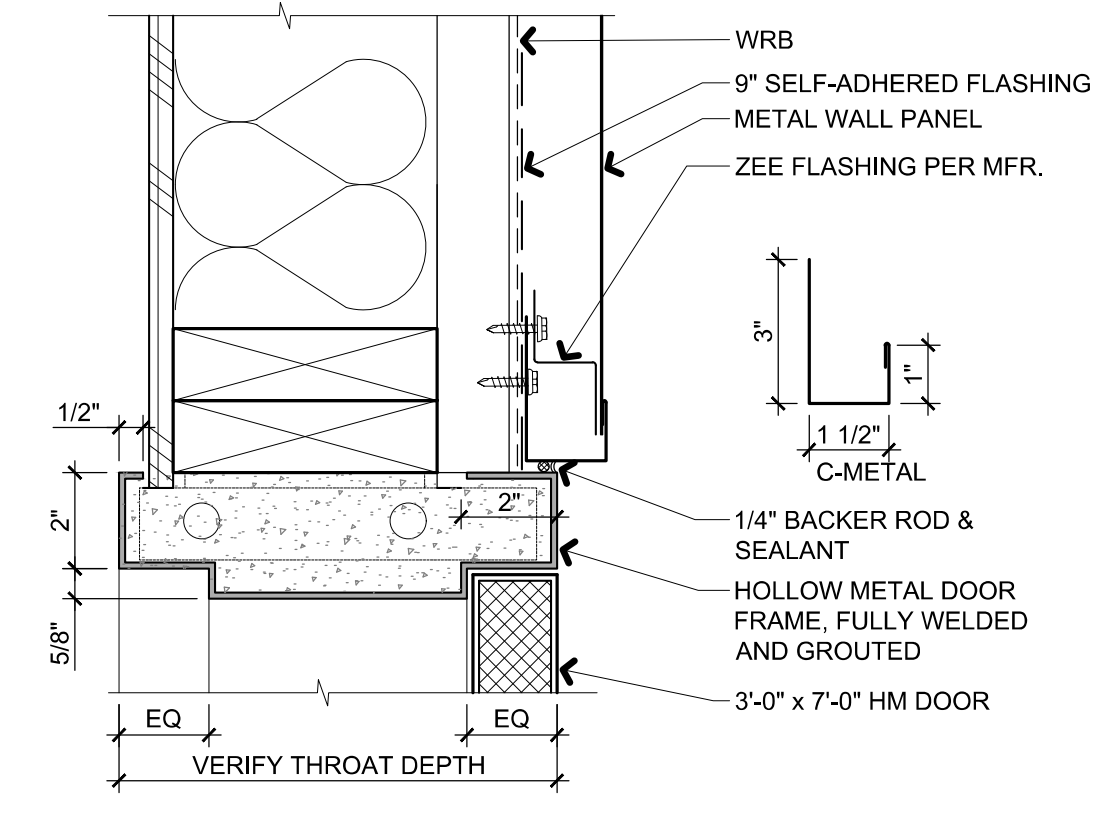
1 ROOF PLAN
1/8" = 1'-0"

CHEHALIS TRIBE
BASEBALL BATTING CAGES

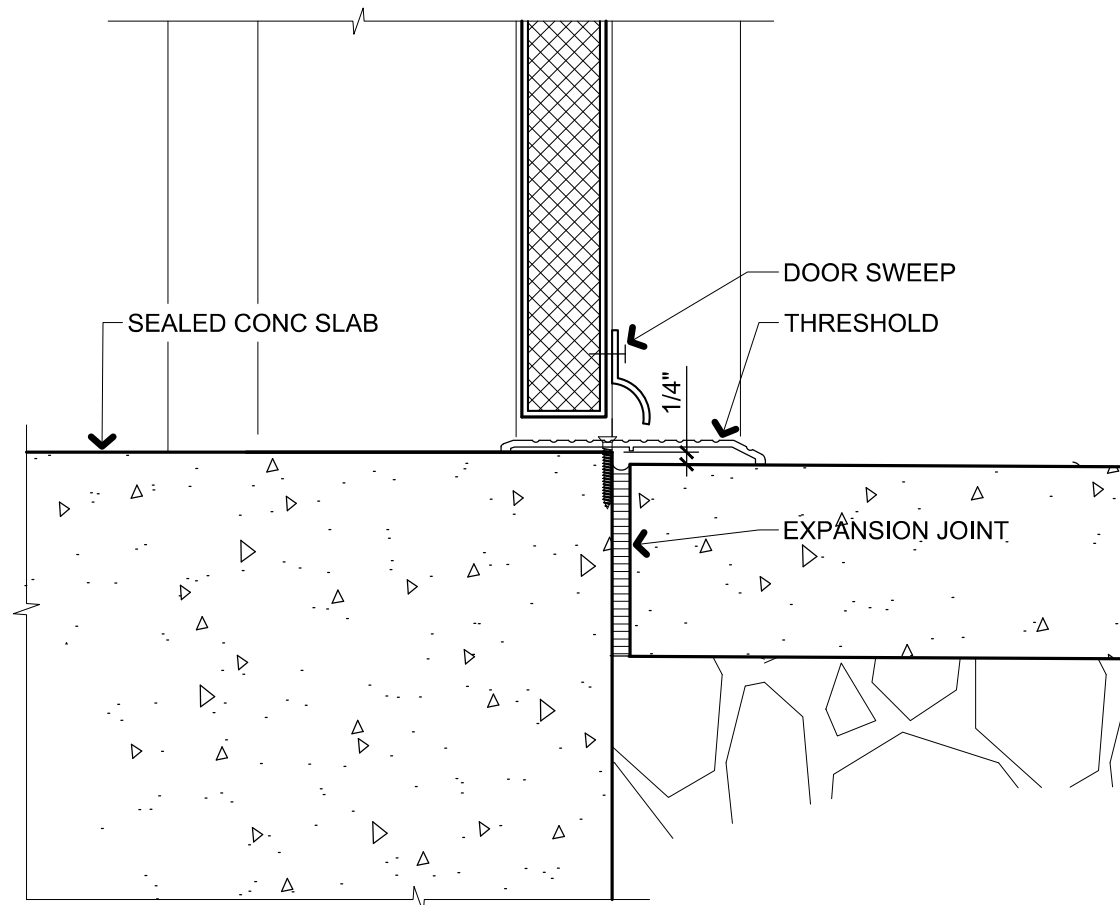
PERMIT
SET
ROOF PLAN AND
DETAILS



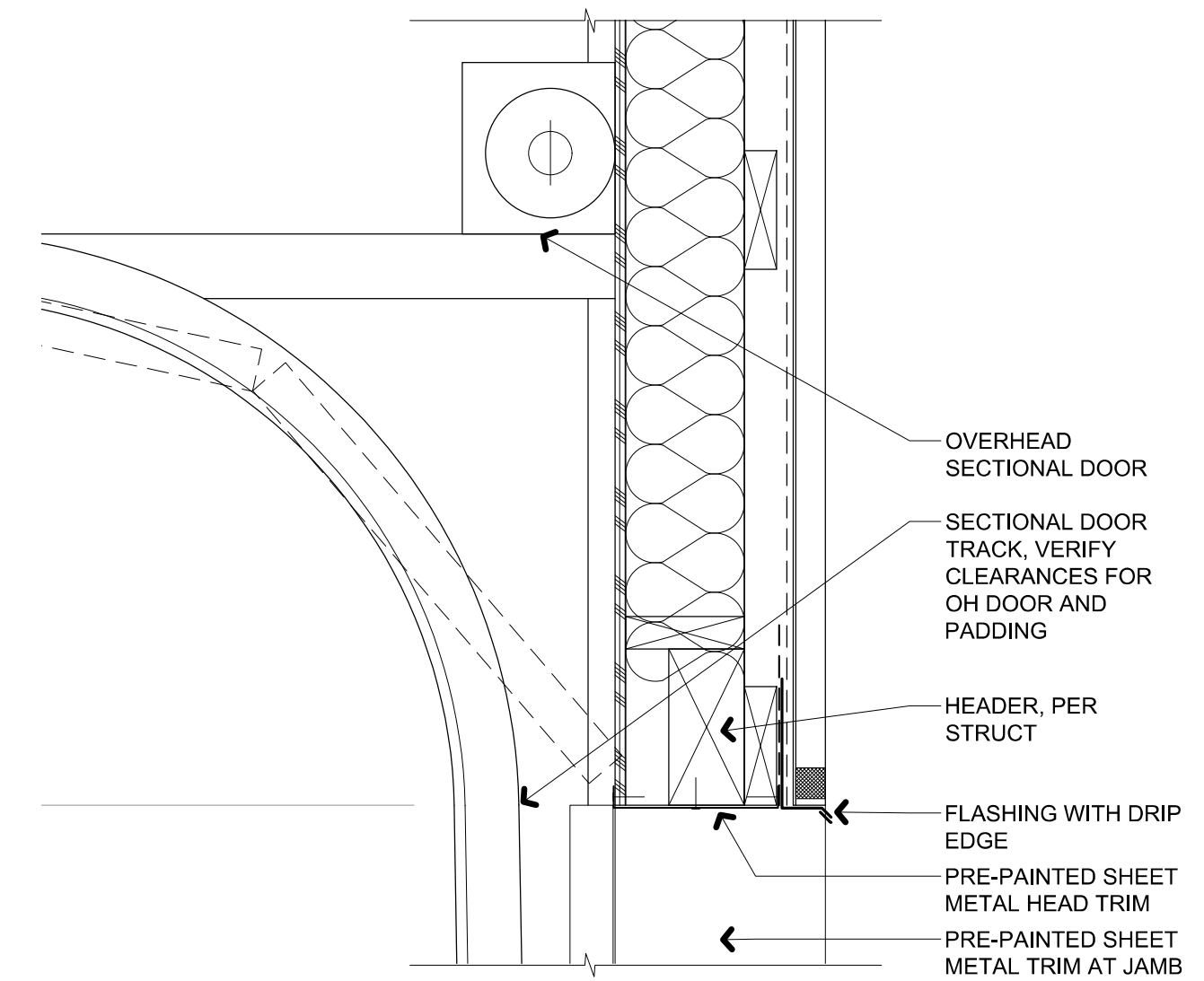
7 HM HEAD DETAIL
3" = 1'-0"



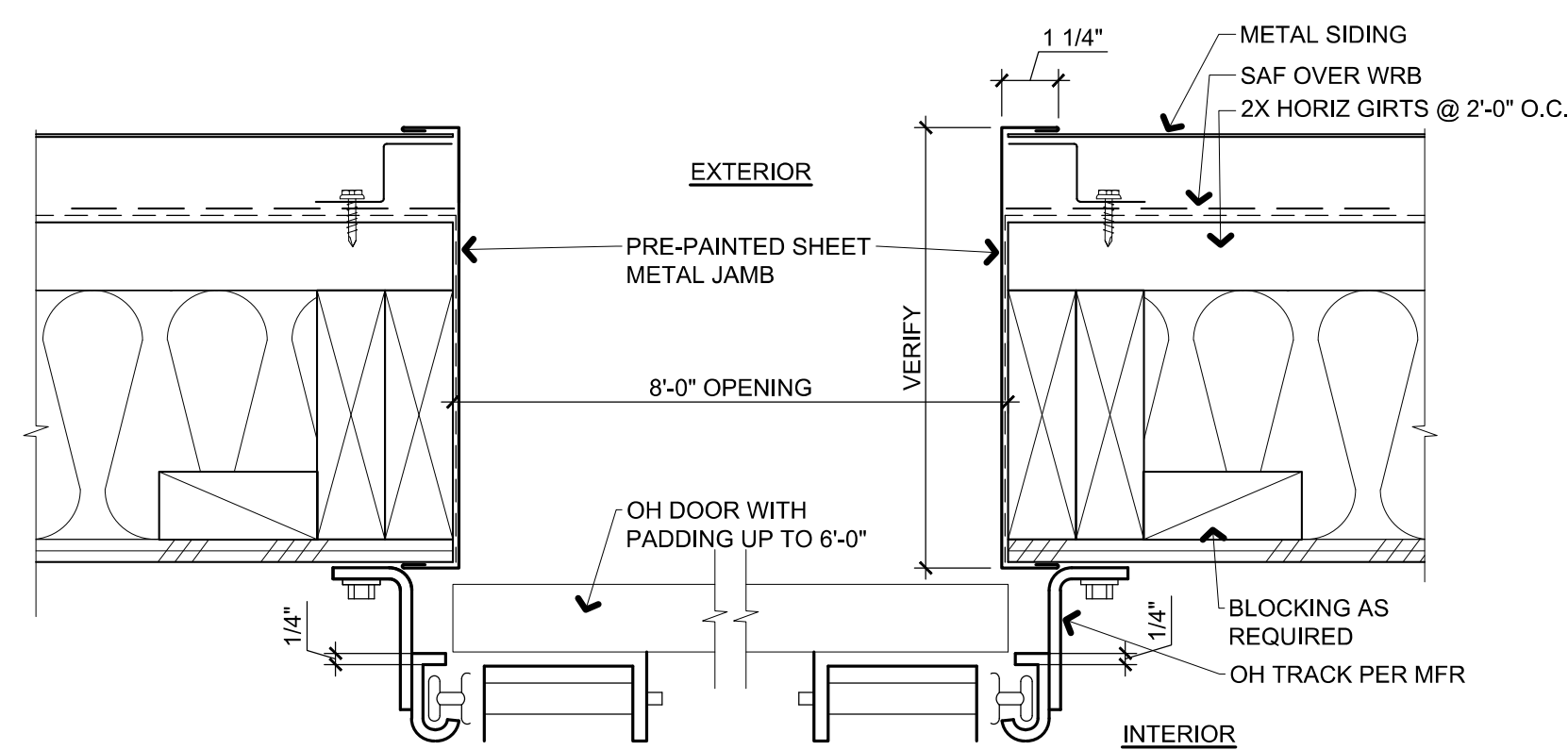
6 HM JAMB DETAIL
3" = 1'-0"



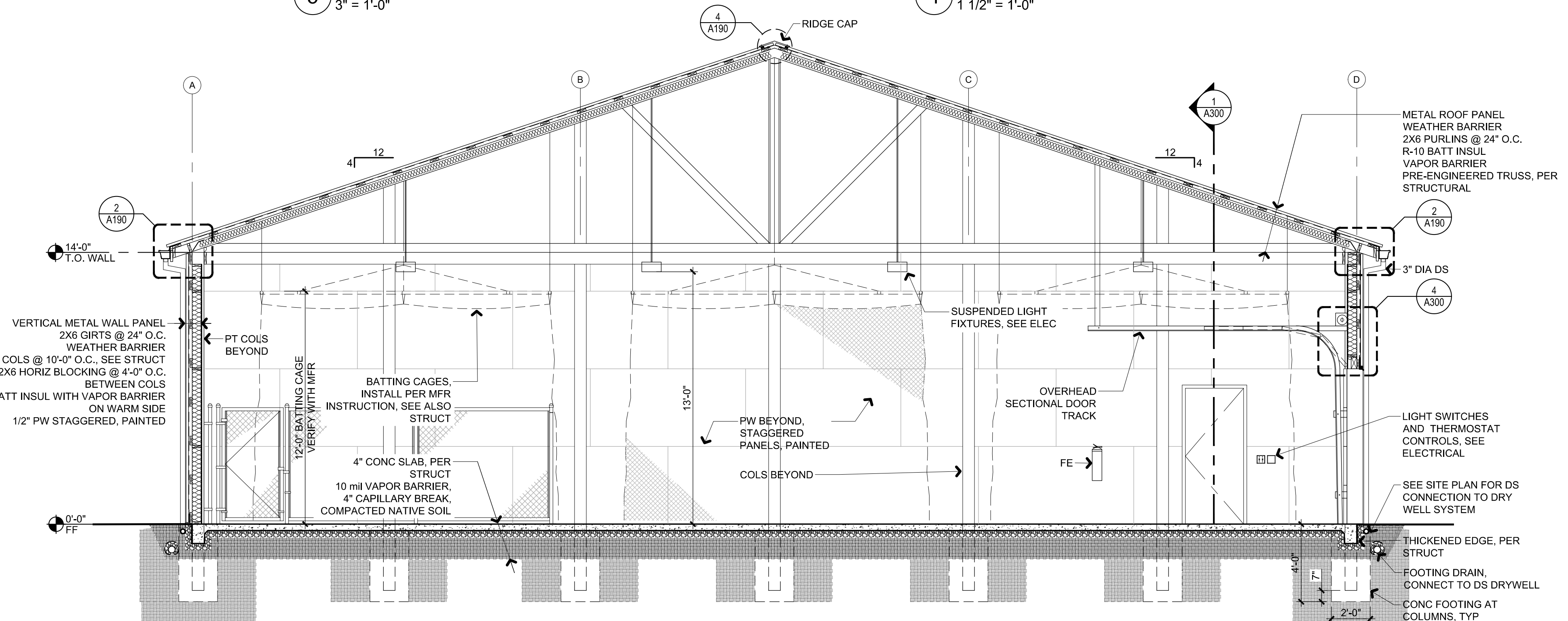
5 THRESHOLD DETAIL
3" = 1'-0"



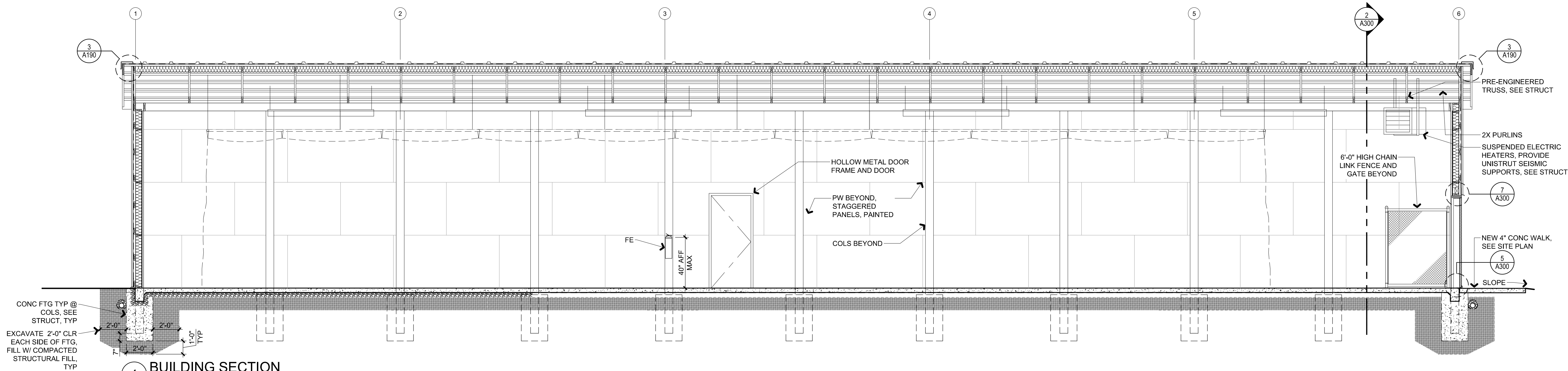
4 OH DOOR HEAD
1 1/2" = 1'-0"



3 OH DOOR JAMB
3" = 1'-0"



2 BUILDING SECTION
1/4" = 1'-0"

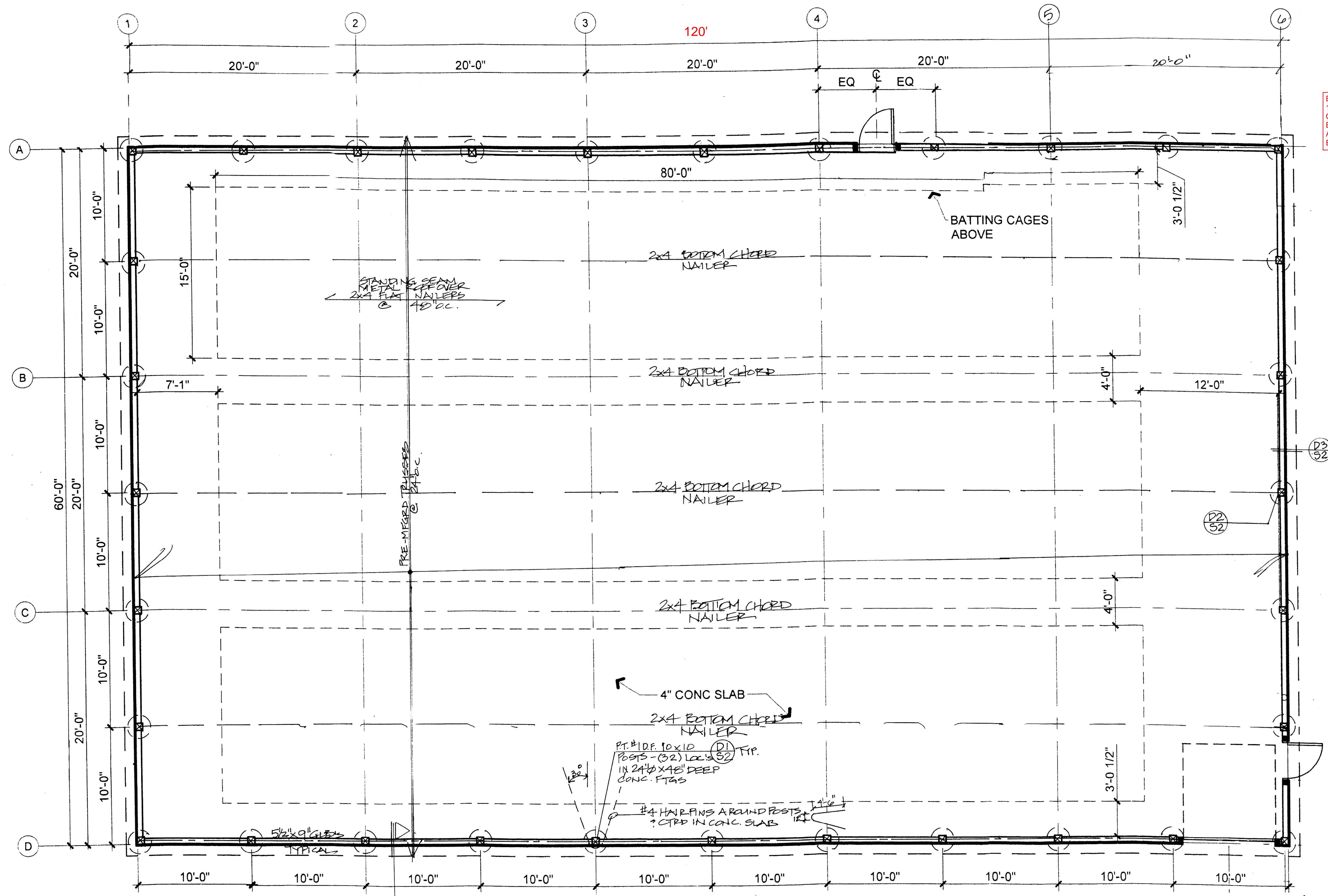


1 BUILDING SECTION
1/4" = 1'-0"

CHEHALIS TRIBE
BASEBALL BATTING CAGES

PERMIT
SET
SECTIONS AND
DETAILS

A300



BUILDING TO BE 120'-0" LONG
 ONE ADDITIONAL BAY TO BE ADDED AT THIS END OF BLDG.

CHEHALIS TRIBE
 BASEBALL BATTING CAGES

FOUNDATION PLAN
ROOF FRAMING PLAN

CAUTION
 PLACE TRUSSES PER MANUFACTURER'S RECOMMENDATIONS. BRACE PER RECOMMENDATIONS.
 CONTRACTOR IS RESPONSIBLE FOR ALL TEMPORARY BRACING AND SHORING REQUIRED DURING PLACEMENT OF TRUSSES.
 CONTRACTOR IS REQUIRED TO FIELD VERIFY ALL CONDITIONS AND ALL ELEVATIONS.

1.12.21

STRUCTURAL NOTES

CONTRACTOR, OWNER, AND FRAMER ARE TO THOROUGHLY REVIEW THESE DOCUMENTS AND THEIR RELATIONSHIP TO THE ARCHITECTURAL PLANS. IF THERE ARE ANY QUESTIONS, OR DISCREPANCIES ABOUT THE NOTES, DETAILS, OR PLANS, CONTACT THE ENGINEER OF RECORD AT THOMPSON ENGINEERING (360) 918-8079.

These structural notes supplement the drawings. Any discrepancy found among the drawings, these notes, and the site conditions shall be reported to the Engineer, who shall correct such discrepancy in writing. Any work done by the Contractor after discovery of such discrepancy shall be done at the Contractor's risk. **The Contractor shall verify and coordinate the dimensions among all drawings prior to proceeding with any work or fabrication.** The Contractor is responsible for all bracing and shoring during construction. All construction shall conform to the applicable portions of the latest edition of the **2015 International Building Code** except where noted.

Construction Stability:

The design, adequacy and safety of erection bracing, shoring and all temporary supports is the sole responsibility of the Contractor, and has not been considered by the Engineer of Record. The Contractor shall provide the bracing necessary to provide stability to the structure prior to the completed application of the lateral resisting system. During construction, the Contractor shall keep loads within the design roof and floor load limits indicated below.

Design Criteria:

1. Live Load = 25 PSF (Snow)
2. Dead Load = 15 PSF (Roofs)
= 10 PSF (Wood Walls)
= 150 PCF (Concrete)
3. Wind : **2015 IBC**
 - a. Basic wind speed = 110 mph
 - b. Ultimate design wind speed = 85 mph (3-sec gust)
 - c. Risk category = "II"
 - d. Exposure category = "B"
 - e. Internal pressure coefficient = +0.55/-0.55
4. Earthquake: **2015 IBC**
 - a. Risk category = II
 - b. Importance factor "I" = 1.0
 - c. Spectral response acceleration parameter $S_s = 1.327$
 - d. Spectral response acceleration parameter $S_1 = 0.545$
 - e. Site classification = "D"
 - f. Spectral response acceleration parameter $S_{ds} = 0.885$
 - g. Spectral response acceleration parameter $S_{d1} = 0.545$
 - h. Seismic design category "D2"
 - i. Seismic response coefficient $CS = 0.127$
 - j. Response modification factor = 6.5
 - k. Basic force resisting system = bearing walls-"K"
 - l. Design procedure = Simplified analysis
5. Soil = 1500 PSF, Assumed Bearing Capacity

Foundation

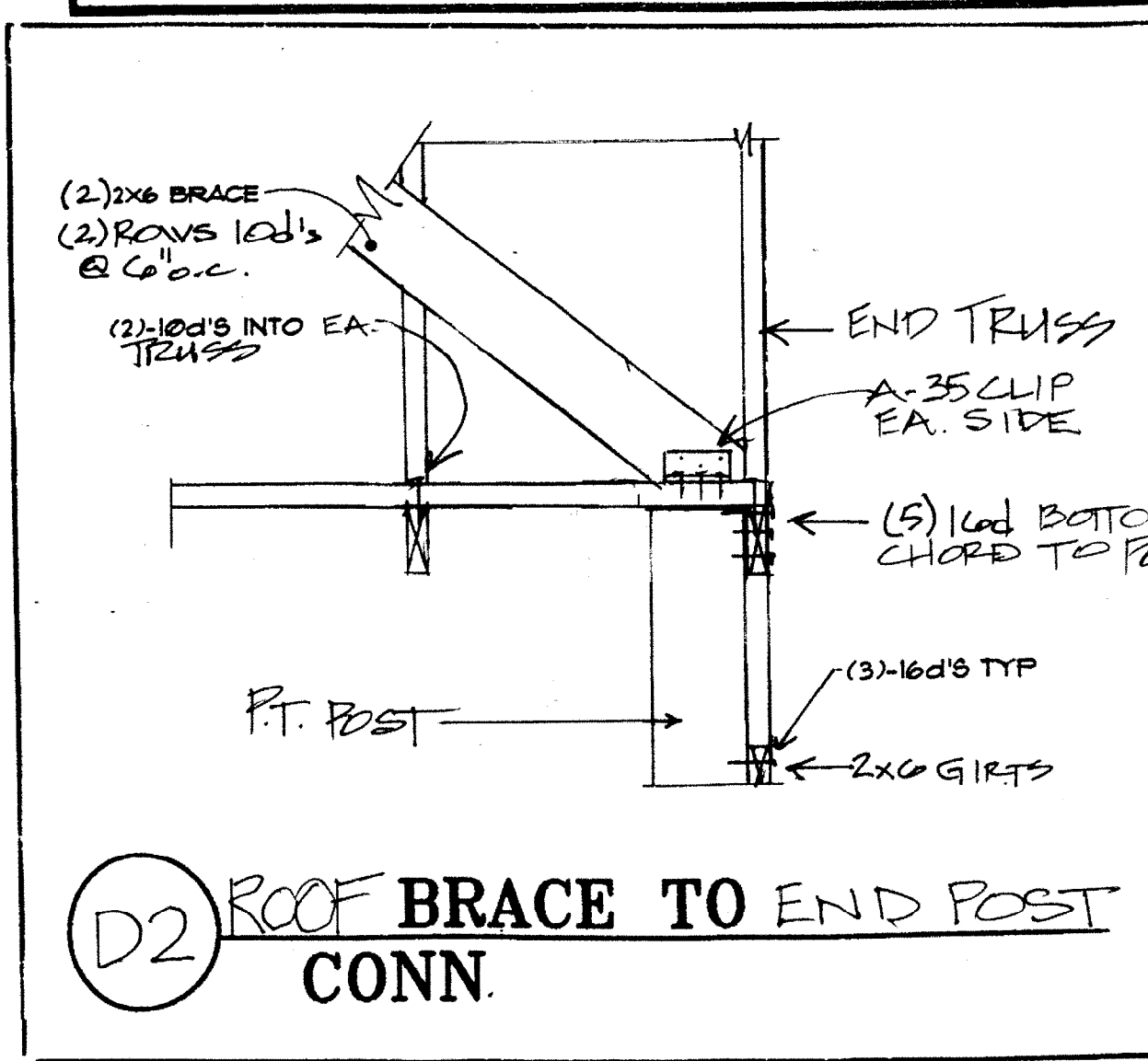
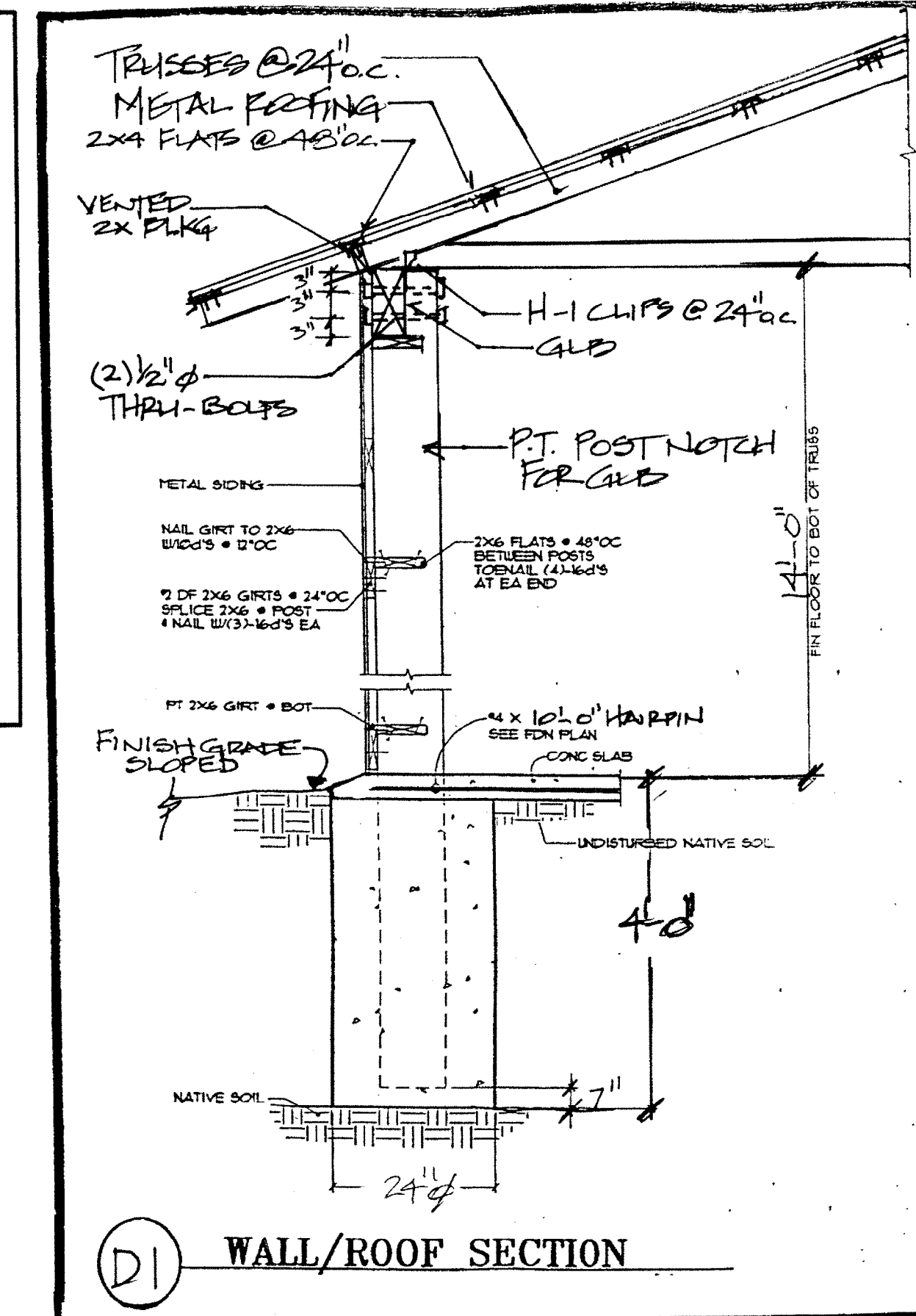
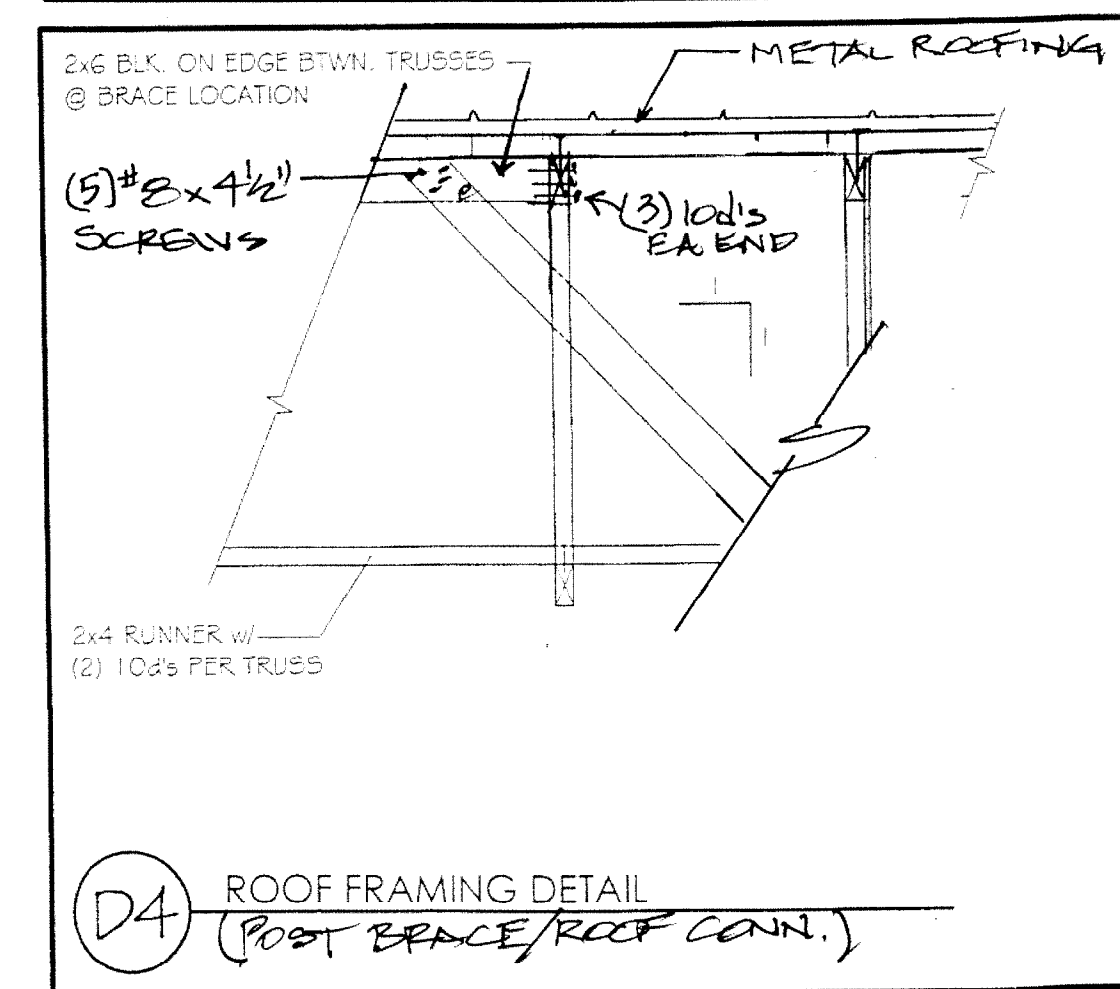
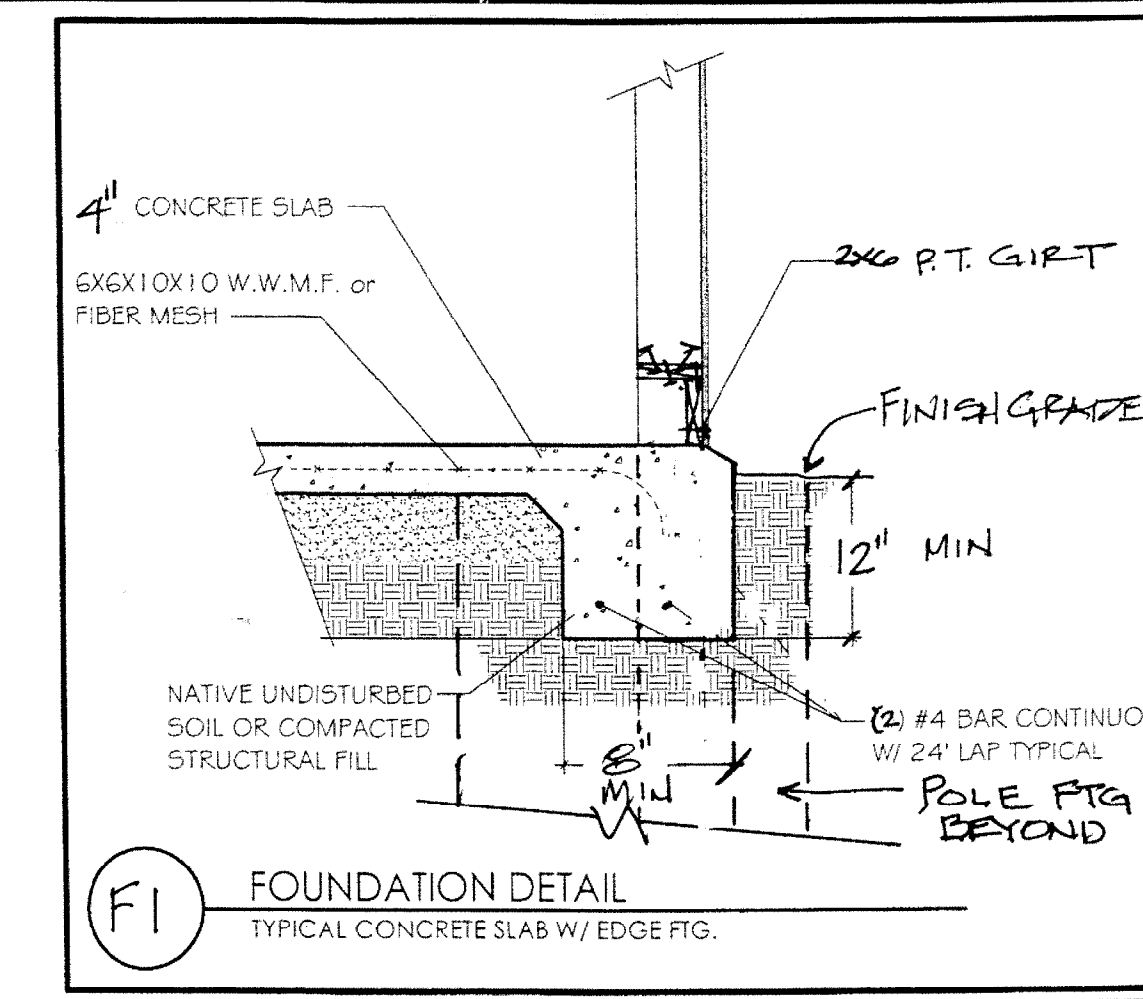
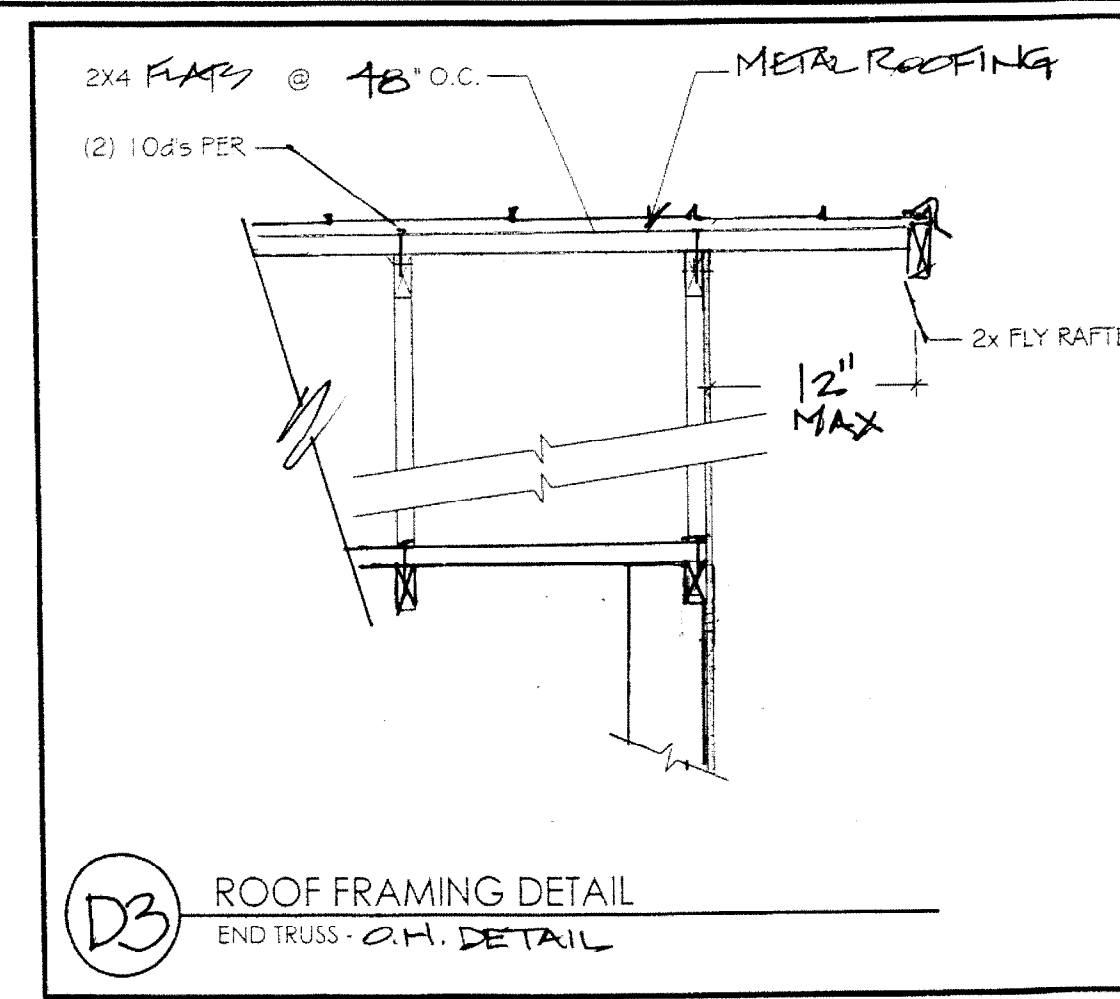
1. All footings shall be founded on native undisturbed soil.

Concrete & Reinforcing Steel:

1. All concrete work shall be per the **2015 IBC** Chapter 19. Tolerances shall be per IBC Chapter 19, Section 07. Mixing, placement, and inspection shall be per Sections 03, 04, 05, and 06.
2. Cement: ASTM C150, normal-Type I or I-II.
3. Coarse or fine aggregate: ASTM C33.
4. All reinforcing shall be ASTM A615 Grade 40 for #4 bars or smaller and Grade 60 for #5 bars or larger.
5. Admixtures: Water reducers-ASTM C494, Type A. Air entrainment-ASTM C260 and ASTM C494, with no chlorides.
6. Concrete shall be in accordance with ASTM 150. Do not use calcium chloride, fly ash or related materials.
 $f'c = 2500$ PSI @ 28 day-5-1/2 sack mix-3/4" maximum size aggregate. Slump = 5" maximum, 6% max Air entrained.

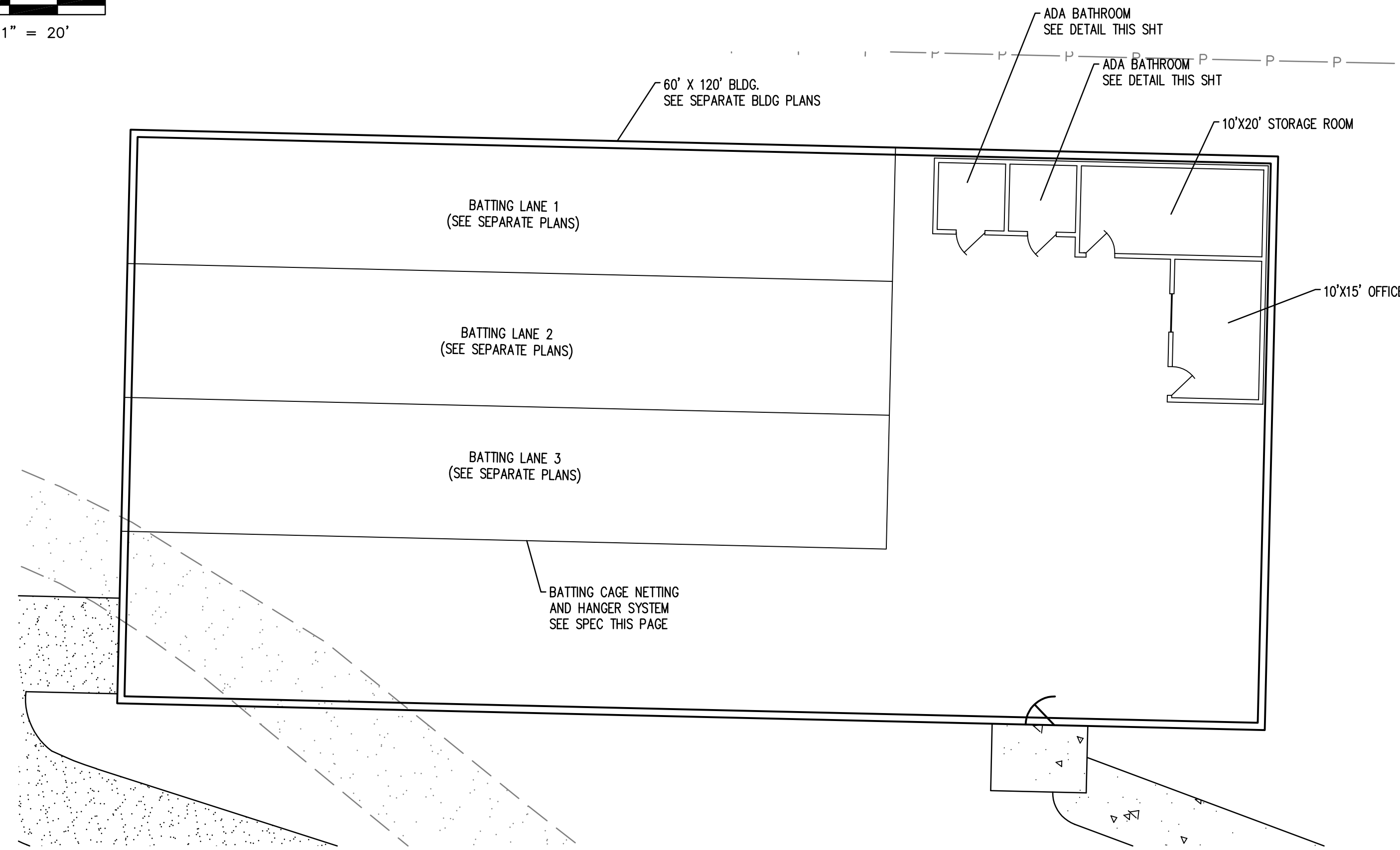
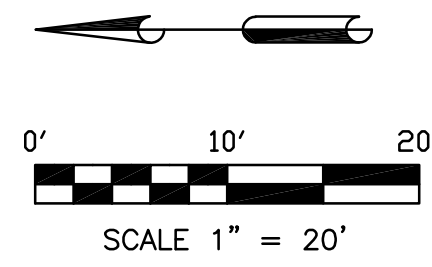
Carpentry:

1. 10X pressure-treated columns shall be #1 Doug-Fir.
2. Roof trusses shall be by a pre-approved manufacturer and constructed according to the specifications of the Truss Plate Institute. Contractor and Truss Manufacturer are responsible for all bracing of the trusses including end wall bracing and all other bracing between the building and the trusses unless specifically shown otherwise on the drawings. Girder trusses shall have a minimum of bearing studs equal to the number of plies of girder truss. All girder trusses shall have LGT ties each end of truss that matches the number of plies in truss unless otherwise noted in plans or truss package.
3. Glue laminated beams shall be 24F-V4 for simple spans, and 24F-V8 for cantilevered or continuous beams and have the following properties:
($F_b = 2,400$ psi)
($F_v = 240$ psi)
($E = 1,800,000$ psi)
($F_{c1} = 650$ psi)
4. Continuous and cantilevered beams shall not be cambered. All other Glu-laminated beams shall be cambered for L/480. See framing plans for any exceptions.



11/13/21

SEC. 03, T15N., R4W, W.M.



PLAN VIEW:
1" = 10' HORIZ.

INTERIOR CONSTRUCTION SPECIFICATIONS

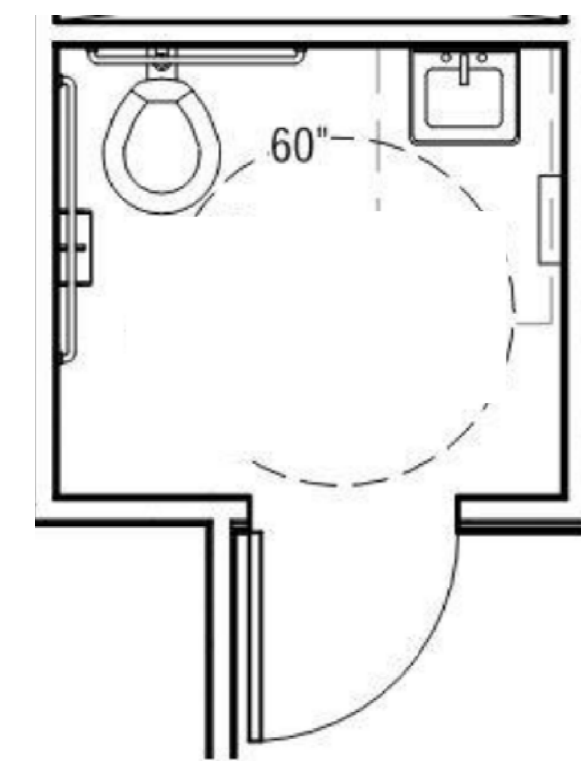
INTERIOR SPACES SHALL BE CONSTRUCTED USING STANDARD FRAMING CONSTRUCTION METHODS. THIS WILL BE FOR THE OFFICE, STORAGE AND BATHROOMS

- WALLS: 2X6 @ 16" OC
- CEILING: 2X8 @ 16" OC
- CEILING: 3/4" T/G GLUED AND SCREWED
- INSULATION: WALLS R-21
CEILING R-38
- WALL FINISH: 1/2" GWB, TAPED, ORANGE PEEL TEXTURE ON VISIBLE WALLS
1/2" OSB ON WALLS AGAINST THE EXTERIOR BUILDING.
- PAINT COLOR: WHITE
- OFFICE WINDOW: 4.0 X 4.0 VINYL WINDOW R RATED 0.26
- SPACE DIMENSIONS:
OFFICE: 10' X 15' OUTSIDE DIMS
STORAGE ROOM: 10' X 20' OUTSIDE DIMS
BATHROOM 1: 7' X 7' INSIDE DIMS
BATHROOM 2: 7' X 7' INSIDE DIMS.

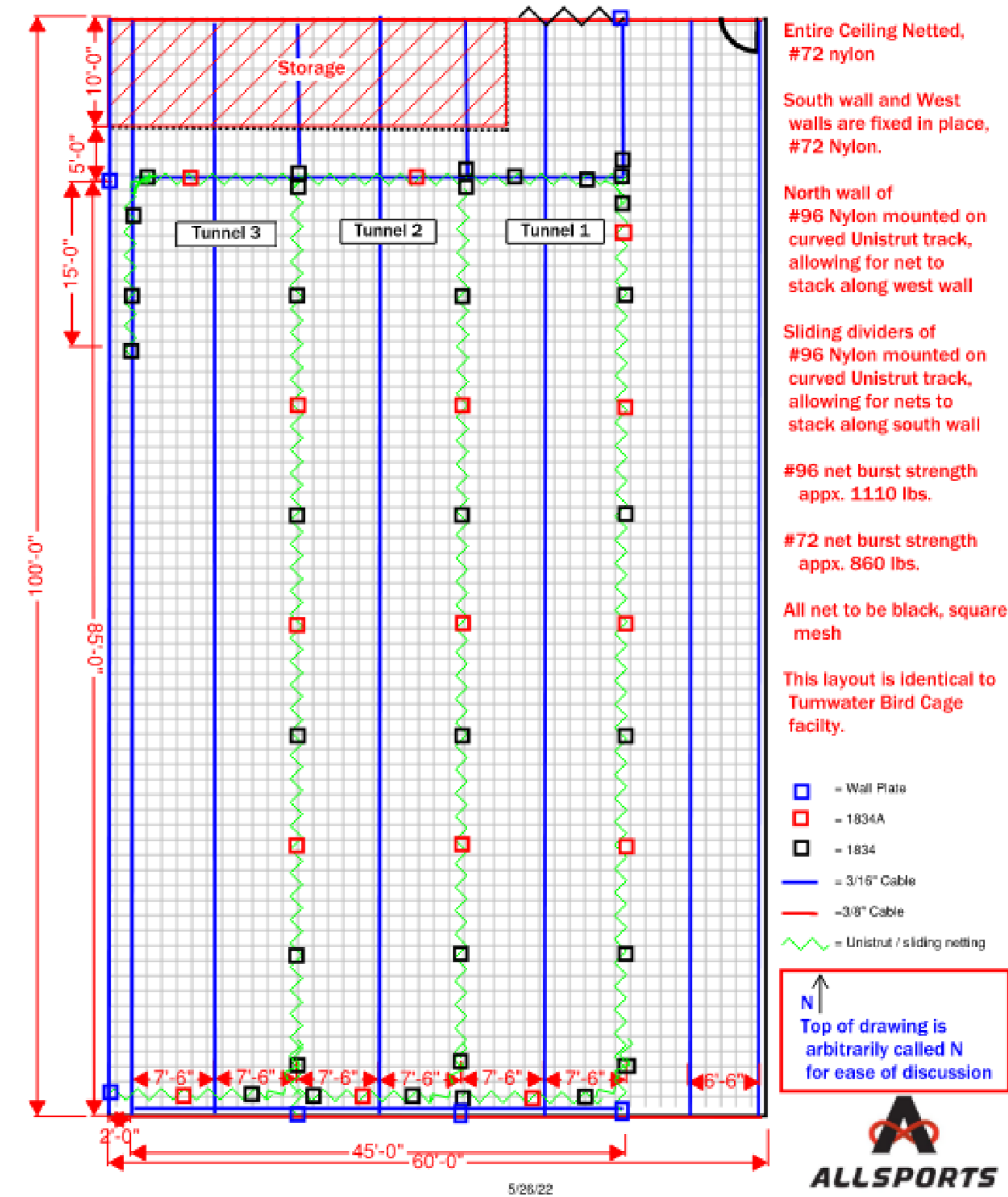
ALL WALLS WILL BE ANCHORED TO THE 6" THICK CONCRETE BLDG FLOOR.

PLUMBING AND ELECTRICAL SHALL BE INCLUDED IN THE BID AND SHALL MEET THE REQUIREMENTS OF THE TRIBAL BUILDING CODE.

BATHROOM FAN AND LIGHTS:
OFFICE LIGHTING:
STORAGE ROOM LIGHTING:



RESTROOM DETAIL



Entire Ceiling Netted, #72 nylon
South wall and West walls are fixed in place, #72 Nylon.
North wall of #96 Nylon mounted on curved Unistrut track, allowing for net to stack along west wall
Sliding dividers of #96 Nylon mounted on curved Unistrut track, allowing for nets to stack along south wall
#96 net burst strength appx. 1110 lbs.
#72 net burst strength appx. 860 lbs.
All net to be black, square mesh
This layout is identical to Tumwater Bird Cage facility.

- = Wall Plate
- = 1834A
- = 1834
- = 3/16" Cable
- = 3/8" Cable
- = Unistrut / sliding netting



HITTING CAGES NETTING AND FRAMEWORK:

FURNISH AND INSTALL: NETTING AND FRAMEWORK TO GENERALLY CONSTRUCT AS FOLLOWS:

- CEILING: 45' X 75', #72 NYLON TWINE, 1-3/4" SQUARE MESH, APPROX. 12' HEIGHT
- 3 PERIMETER WALLS (N, S, E): ALL FIXED #72 NYLON TWINE, 1-3/4" SQUARE MESH
- 3 SLIDING PANELS: #96 NYLON 1-3/4" SQUARE MESH, MOUNTED ON UNISTRUT TRACK WITH BALL BEARING TROLLEYS. SLIDING PANELS WILL CREATE UP TO 3 TUNNELS, EACH APPROX. 15' WIDE
SLIDING PANELS WILL FULLY RETRACT EITHER DIRECTION. ONE END OF DIVIDER PANELS HAS CURVED STRUT, ALLOWING FOR PANEL TO STACK PARALLEL TO WALL. SLIDING PANELS HELD IN WITH MAGNETS, EACH END
- PLACE: BAFFLES AT TOP OF EACH DIVIDER PANELS TO MINIMIZE BALLS TRAVELING TO ADJACENT TUNNEL. UNISTRUT TRACK WILL MOUNT DIRECTLY TO BUILDING BEAMS/COLUMNS

CALL BEFORE YOU DIG:

THE CONTRACTOR SHALL BE FULLY RESPONSIBLE FOR THE LOCATION AND PROTECTION OF ALL EXISTING UTILITIES. THE CONTRACTOR SHALL VERIFY ALL UTILITY LOCATIONS PRIOR TO CONSTRUCTION BY CALLING THE UNDERGROUND LOCATE LINE 811 OR 1-800-424-5555 A MINIMUM OF 48 HOURS PRIOR TO ANY EXCAVATION.

UTILITY NOTE:

UTILITIES SHOWN HEREON ARE FROM FIELD MAPPING VISIBLE SURFACE APPURTENANCES, AND MAPPING UTILITY PAINT MARKS FROM A UTILITY LOCATING SERVICE. BURIED UTILITIES ARE ONLY SHOWN AS APPROXIMATE AND SHOULD BE VERIFIED BEFORE CONSTRUCTION.

BY	
DATE	
REVISIONS	
1	
2	
3	
4	
5	
SCALE: 1" = 20'	
DATE: 7/15/2022	
JOB NUMBER: 1010.04	
FILE NUMBER: A-1	
INTERIOR SPACES AND RESTROOMS BASEBALL BATTING CAGES CHEHALIS TRIBES PLANNING DEPT 402 HOWANUT RD OAKVILLE, WA 98568 360.709.1813	
Personalized Engineering Services PO BOX 178 TENINO, WA 98589 360.951.1454 (C)	
DRAWING NO:	A-1 INTERIOR
SHEET NO:	A1 OF 10

Aug 05, 2022 12:33:50pm - User: jmg
 C:\J.E. GIBSON CONSULTING\PROJECTS\1010 CHEHALIS PLANNING DEPARTMENT\04 BATTING CAGES\CADD\1 INTERIOR.DWG