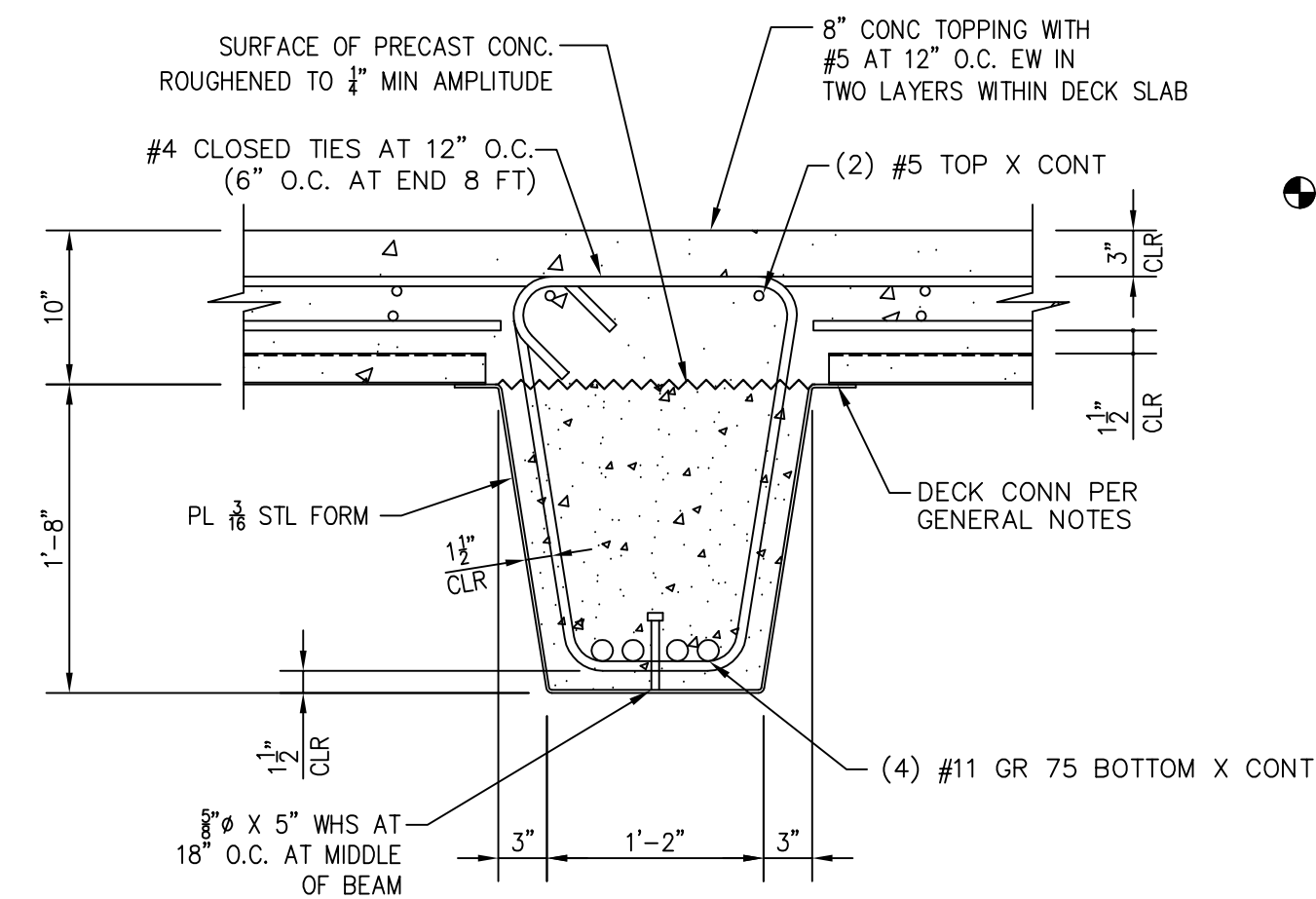
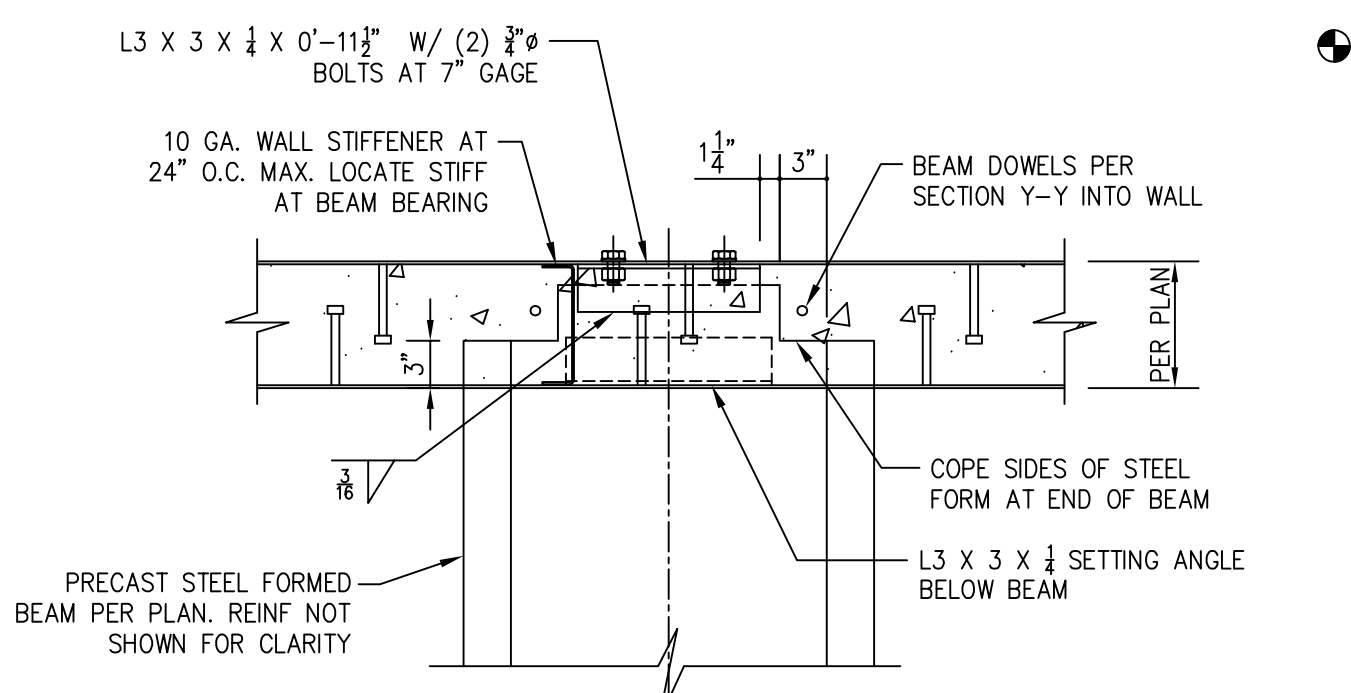


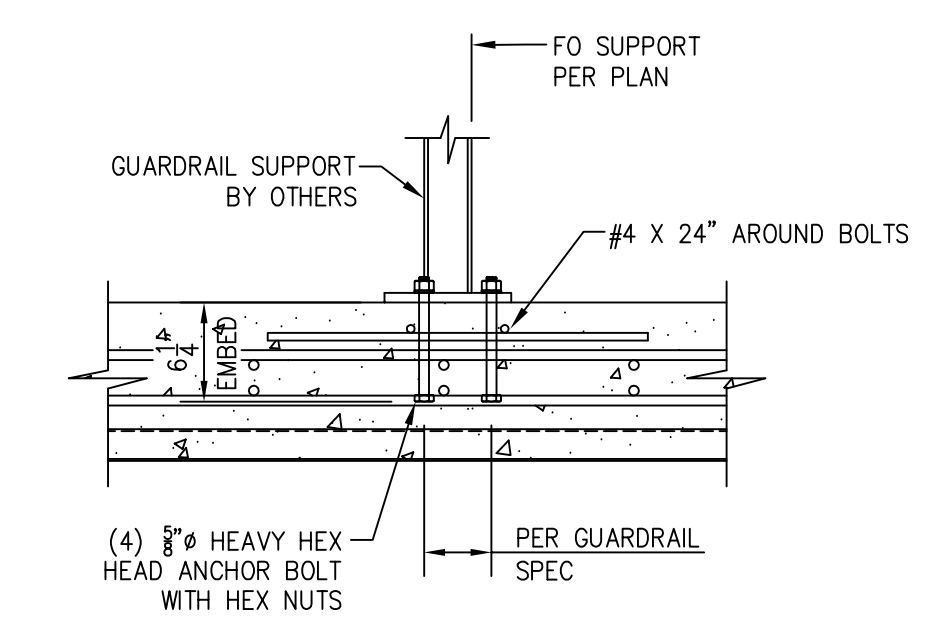
PLAN
SCALE: 1/4" = 1'-0"



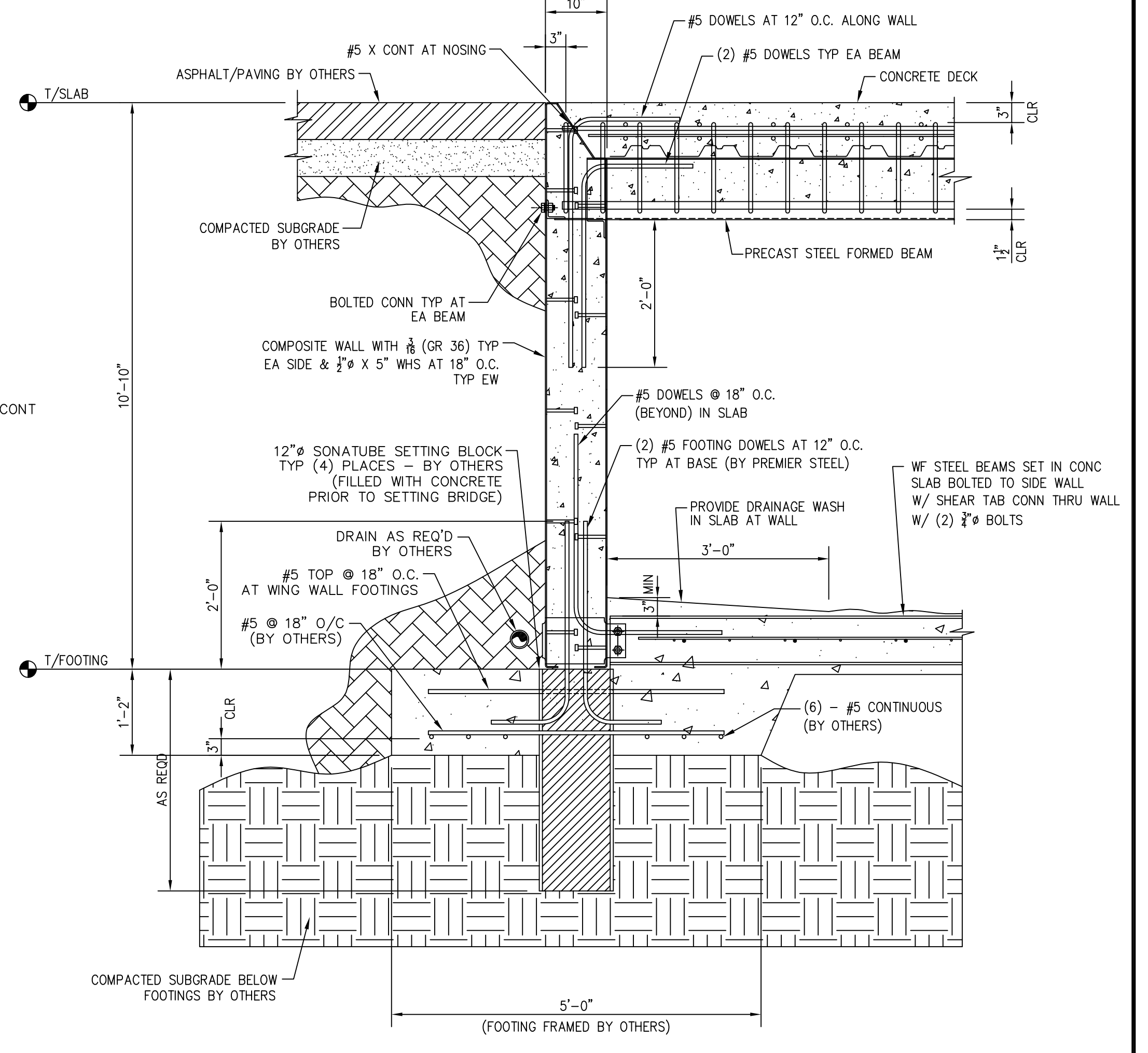
DETAIL A
SCALE: 1" = 1'-0"



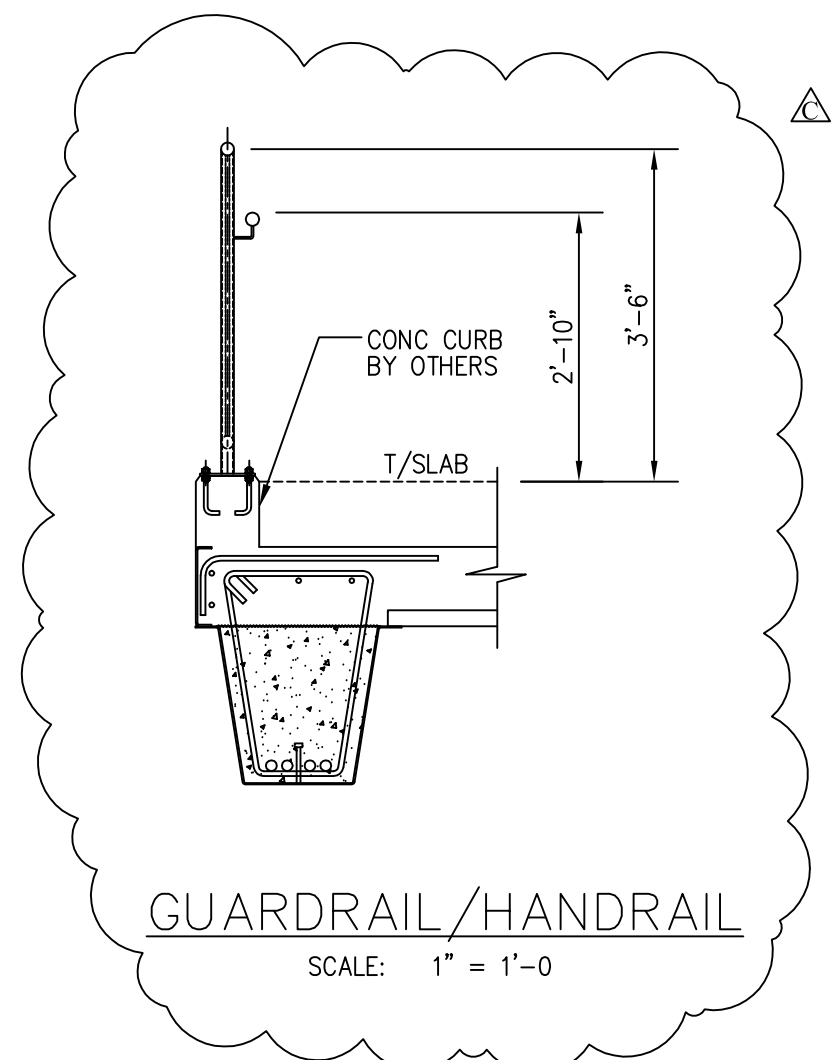
DETAIL B
SCALE: 1" = 1'-0"



DETAIL C
SCALE: 1" = 1'-0"



SECTION Y-Y
SCALE: 3/8" = 1'-0"

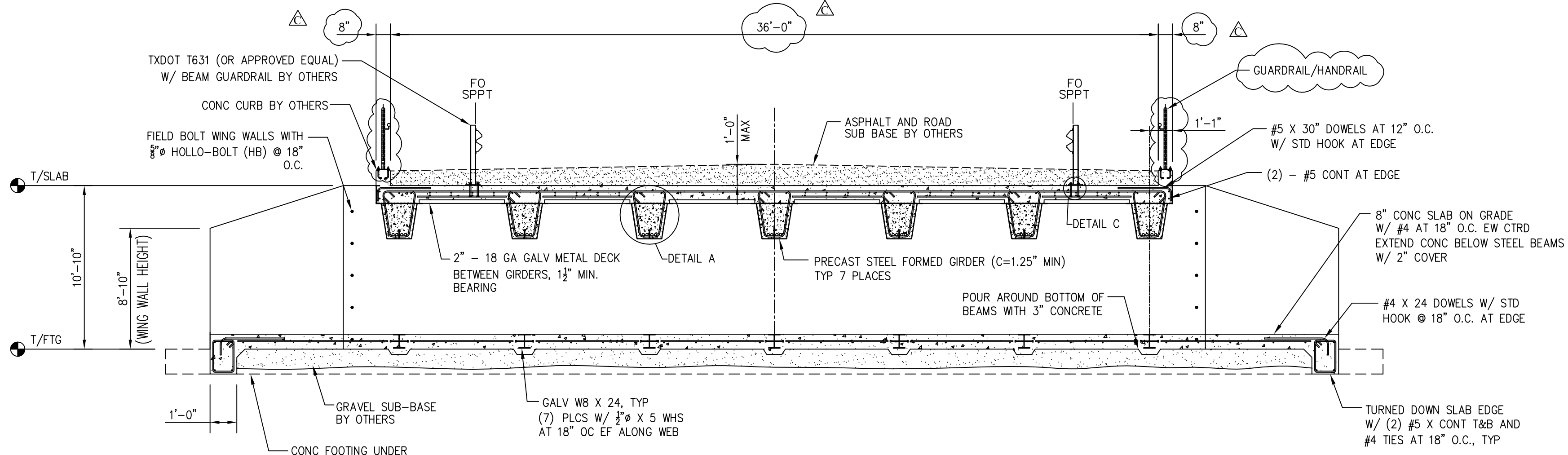


GUARDRAIL/HANDRAIL
SCALE: 1" = 1'-0"

- NOTES:**
1. GENERAL NOTES AND SPECIFICATIONS PER CS-1.
 2. CONTRACTOR IS RESPONSIBLE TO VERIFY ALL DIMENSIONS, SITE ELEVATIONS AND EXISTING CONDITIONS ARE IN COMPLIANCE WITH DESIGN SPECIFICATIONS.
 3. EXCAVATION AND SUBGRADE PREPARATION IS BY OTHERS.
 4. FOOTINGS SHALL BEAR ON COMPENENT NATIVE SOIL AND/OR STRUCTURAL FILL PROVIDING A MINIMUM ALLOWABLE BEARING PRESSURE AND SUBGRADE MODULUS AS SPECIFIED IN GENERAL NOTES.
 5. BRIDGE SLABS, WALL AND FOUNDATIONS TO BE A MONOLITHIC POUR.
 6. CONTRACTOR TO VERIFY GUARDRAIL DIMENSIONS AND LOCATIONS COMPLY WITH STRUCTURAL & CIVIL DRAWINGS. DESIGN OF ALL GUARDRAILS, APPROACHES AND TRANSITIONS ARE BY OTHERS.

THESE DRAWINGS ARE THE INTELLECTUAL PROPERTY OF PREMIER STEEL SERVICES, LLC AND CONSIDERED PROPRIETARY AND CONFIDENTIAL INFORMATION AND SHALL NOT BE REPRODUCED OR USED WITHOUT EXPRESS WRITTEN PERMISSION FROM PREMIER STEEL.

COPYRIGHT © 2019 PREMIER STEEL SERVICES, LLC



SECTION X-X
SCALE: 1/4" = 1'-0"

APPROVAL/SIGNATURE OF THE OWNER CONSTITUTES ACCEPTANCE OF THE DIMENSIONAL SIZES SHOWN ON THE ATTACHED DRAWINGS. OWNER ACCEPTS THE FAST CAST™ BRIDGE IS DESIGNED STRUCTURALLY TO AASHTO HL93 LOADS FOR VEHICULAR TRAFFIC AND REDUCED LOADS FOR PEDESTRIAN BRIDGES: STAMPED/SEALED DRAWINGS AND CALCULATIONS WILL BE PROVIDED BY PREMIER STEEL SERVICES UPON RECEIPT OF FINAL PAYMENT. OWNER IS RESPONSIBLE TO EMPLOY IT'S OWN CIVIL ENGINEERING FOR DESIGN OF SITE AND SUITABILITY OF THE MODEL OF FAST CAST™ BRIDGE MODEL SELECTED AND SHOWN ON THIS DRAWING.

SIGNATURE OF APPROVER _____ DATE _____

APPROVAL BY THE OWNER OF SHOP DRAWINGS PREPARED BY THE FABRICATOR INDICATES THAT THE FABRICATOR HAS CORRECTLY INTERPRETED THE CONTRACT DRAWINGS. APPROVAL DOES NOT RELIEVE THE FABRICATOR OF THE RESPONSIBILITY FOR ACCURACY OF DETAIL DIMENSIONS, NOR THE GENERAL FIT-UP OF PARTS TO BE ASSEMBLED IN THE FIELD. UNLESS SPECIFICALLY STATED TO THE CONTRARY, ANY ADDITIONS, DELETIONS OR CHANGES INDICATED ON THE APPROVAL OF THE SHOP AND ERECTION DRAWINGS ARE AUTHORIZATIONS BY THE OWNER TO RELEASE THE ADDITIONS, DELETIONS OR CHANGES FOR CONSTRUCTION.

		Premier Steel Services, LLC 16420 S. Highway 75 Glenpool, Oklahoma 74033	
		Telephone 918 227-0110 Telefax 918 296-7102 www.premiersteelservices.com	
CUSTOMER:	CHEHALIS TRIBE	PROJECT:	420 HOWANUT ROAD
LOCATION:	OAKVILLE, WASHINGTON	DESCRIPTION:	11H-36W-40L FAST CAST BRIDGE
DRAWN BY:	CJC	CHECKED BY:	AV
DATE:	10/30/20	DATE:	10/30/20
JOB NO.:	0531	SHEET NO.:	CS-2

No.	DATE	DESCRIPTION	DATE	No.	TYPE	FOR
1	06/16/21	ADDED GUARDRAIL/HANDRAIL				
2	11/13/20	ISSUED FOR APPROVAL				
3	10/30/20	ISSUED FOR APPROVAL				